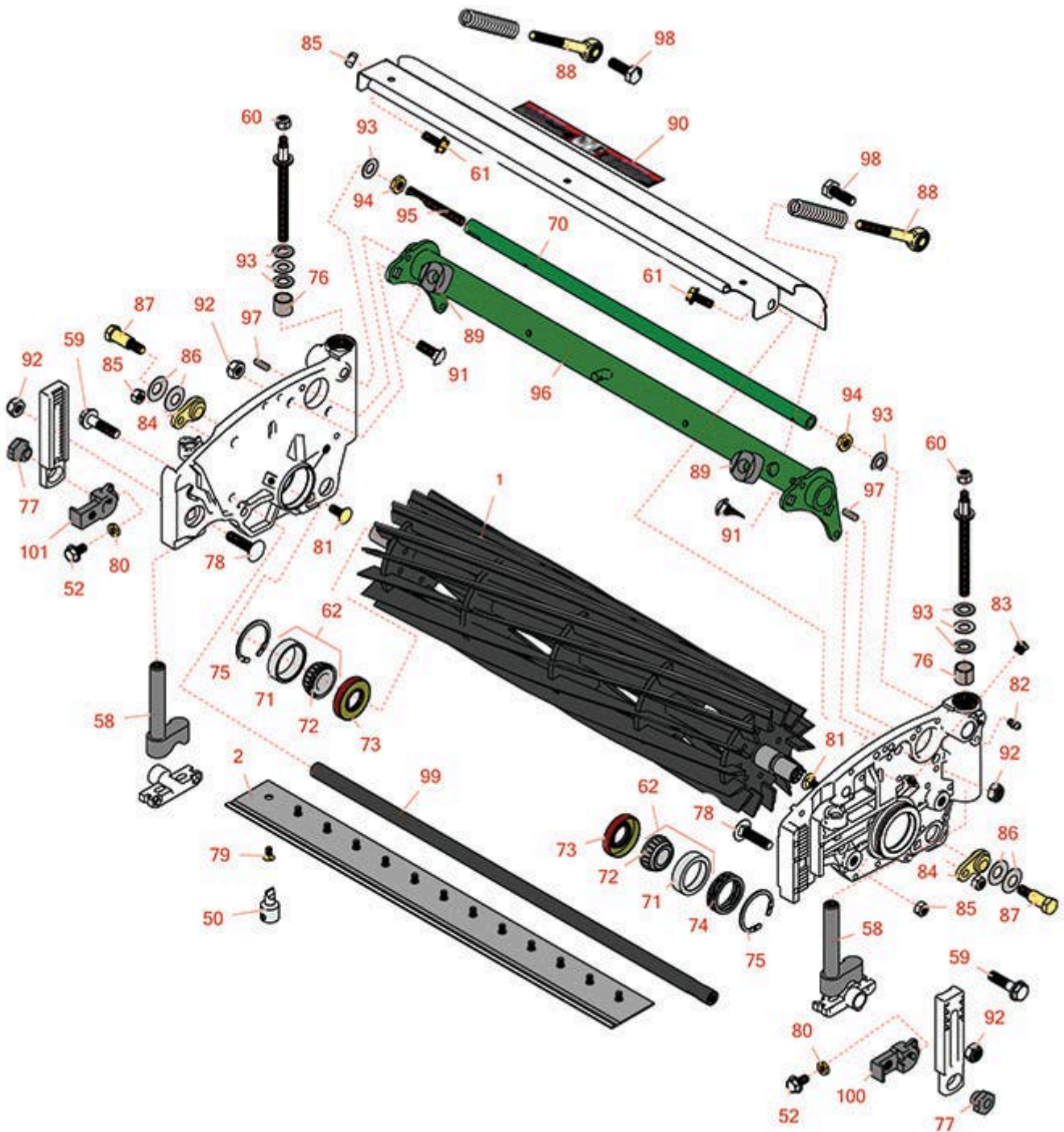




Replaces John Deere 2550 E-Cut Riding Greens Mower Parts

Cutting Unit
Reel & Bedknife



All original equipment manufacturers names and part numbers are used for identification purposes only, and we are in no way implying that our products are original equipment parts. Prices subject to change without notice.



Replaces John Deere 2550 E-Cut Riding Greens Mower Parts

Cutting Unit
Reel & Bedknife



Item No	R&R Part No.	OEM Part No.	Description	Qty Req	Order Quantity
---------	--------------	--------------	-------------	---------	----------------

R&R Reels, Lifetime Guranteed

1	RTCA19350	TCA19350	Reel - 7 Blade	1	
1	RTCA19351	TCA19351	Reel - 11 Blade	1	
1	R130250	TCA23621	Reel - 14 Blade	1	

R&R Bedknives, Lifetime Guranteed

2	RET17767	ET17767, UC23562	Bedknife - High Cut 5/16	1	
2	RMT7351	ET17489, MT7351, UC19154, UC28163	Bedknife - 22in Lo-Cut .079 Min. HOC	1	
2	RET17533	ET14402, ET17533, ET17767, MT4869, MT7351, UC18873	Bedknife - 22in Standard- .126 Min. HOC	1	
2	R130116	MT4846, UC18877	Bedknife - Razor Tool Steel - 22 Tournament Cut	1	

Overhaul Kits and Tools

50	R101278T		Bedknife Screw Driver Tool	1	
----	-----------------	--	----------------------------	---	--

Tech Note: Easily install and remove bed knife screws with the help of a ratchet. Tool manufactured with hardened alloy steel.:

Other Parts Available

52	R33114-016	19M7162	Bolt - Hx HD 8mm x 1.25 x 15	2	
58	RAUC13512	AUC13512	Adjuster	2	
59	R19M7804	19M7804	Bolt - Flanged Hex M10-1.5 x 40	4	
60	RM148268	M148268	Lock Nut	2	

All original equipment manufacturers names and part numbers are used for identification purposes only, and we are in no way implying that our products are original equipment parts. Prices subject to change without notice.



Replaces John Deere 2550 E-Cut Riding Greens Mower Parts

Cutting Unit
Reel & Bedknife



Item No	R&R Part No.	OEM Part No.	Description	Qty Req	Order Quantity
61	R19M7866	19M7866	Bolt - Flanged Hex M8-1.25 x 20	2	
62	R500534		Bearing - with Cup	2	
70	RTC26729	TCU26729	Tube	1	
71	R254-79	JD8226	Cup - Bearing	2	
<i>Tech Note: Use R254-79M installation mandrel to properly install race.:</i>					
72	R254-78	JD8188	Tapered Bearing Cone	2	
73	RET14566	ET14566	Seal - Reel	2	
74	RTC23880	TCU23880, TCU28964	Compression Spring - Reel Bearing	1	
75	R40M7226	40M1862, 40M7226	Ring - Retaining	2	
76	RMT74	MT74	Bushing - Roller Bkt	2	
77	RTC28635	TCU24555, TCU28635	Eccentric	2	
78	R03M7194	03M7194	Bolt	2	
79	R101278	21M7194	Screw - Bedknife	13	
80	R14M7151	14M7151	Nut - Jam Roller Adj	2	
81	R03M7184	03M7184	Bolt - Carriage M8	2	
82	R302-5	JD7797, JD7842, JD7844	Fitting - Grease	2	
83	R170714	E14814	Fitting - Pressure Relief	2	
84	RTC24334	TCU24334	Retainer	2	
85	RH137328	H137328	Locknut	2	

All original equipment manufacturers names and part numbers are used for identification purposes only, and we are in no way implying that our products are original equipment parts. Prices subject to change without notice.



Replaces John Deere 2550 E-Cut Riding Greens Mower Parts

*Cutting Unit
Reel & Bedknife*



Item No	R&R Part No.	OEM Part No.	Description	Qty Req	Order Quantity
86	RN168012	N168012	Washer - Spring	4	
87	RMT3016	MT3016	Bolt - Bed Bar	2	
88	RTCUC25223	TCUC25223, TCUC30798	Spherical Rod End	2	
89	RTCUC25394	TCUC25394, TCUC27453	Base	2	
90	RMT6517	MT6517	Label - Warning	1	
91	R03M7191	03M7191	Bolt - Carriage M10 x 25	4	
92	R14M7517	14M7517	Locknut - 10mm x 1.5 ESNA	4	
93	RET16679	ET16679	Washer - Spring	8	
94	R14M7152	14M7152	Nut - 10mm x 1.5 Jam	2	
95	RTCUC25398	TCUC25398	Compression Spring	1	
96	RAUC13891	AUC13891	Frame	1	
97	RR30587	30587, R30587	Pin - Dowell 1/4 Dia. x .75	2	
98	R19M7168	19M7168	Bolt - M10-1.5 x 30 mm Hex Head Class 8.8	2	
99	RUC13425	UC13425	Rod - Hardened	1	
100	RUC18211	UC18211	Bracket	1	
101	RUC16109	UC16109	Bracket	1	

All original equipment manufacturers names and part numbers are used for identification purposes only, and we are in no way implying that our products are original equipment parts. Prices subject to change without notice.