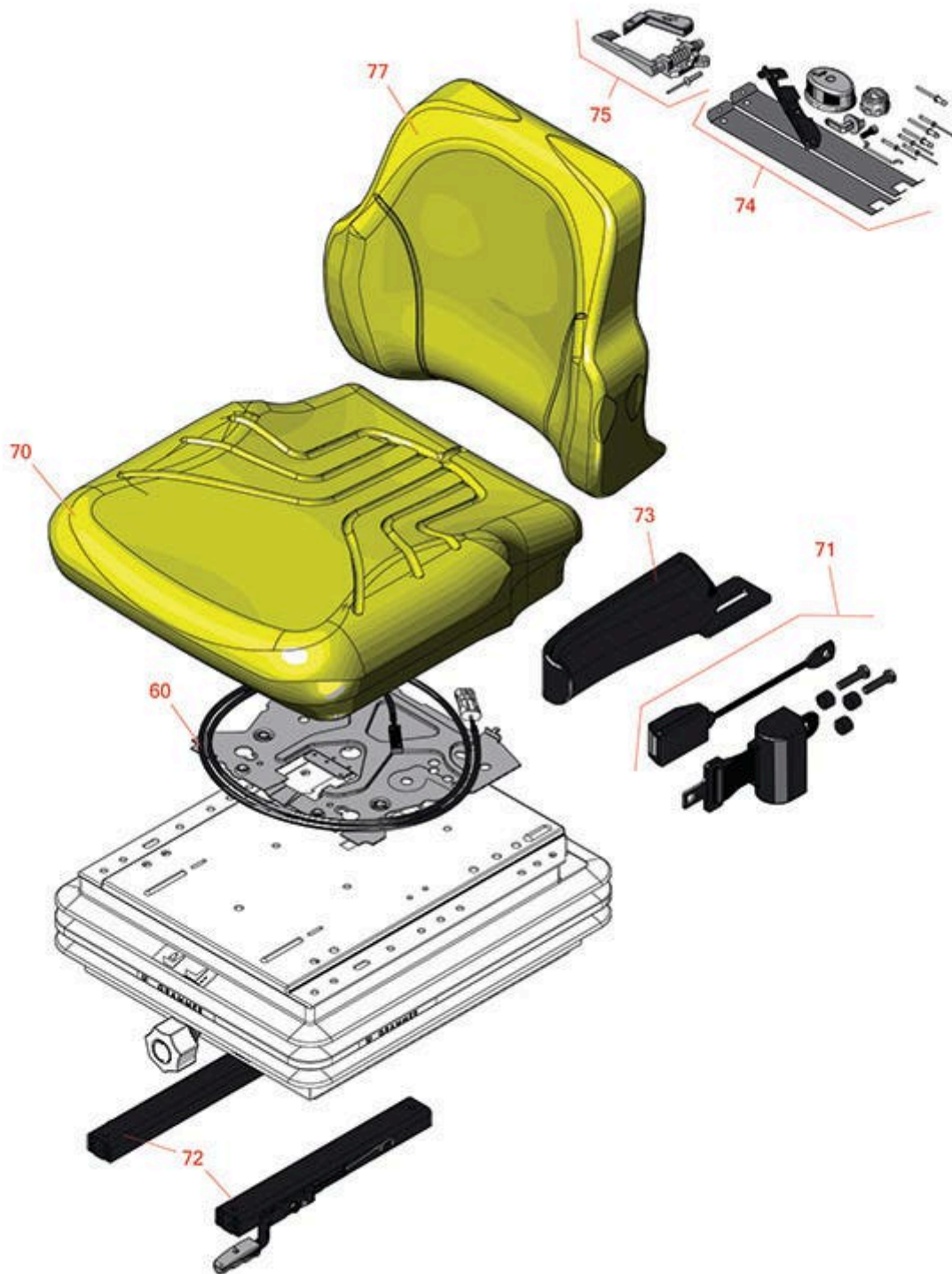




Replaces John Deere 9009A Rotary Mower Parts

Traction Unit
Seat



All original equipment manufacturers names and part numbers are used for identification purposes only, and we are in no way implying that our products are original equipment parts. Prices subject to change without notice.



Replaces John Deere 9009A Rotary

Mower Parts

*Traction Unit
Seat*



Item No	R&R Part No.	OEM Part No.	Description	Qty Req	Order Quantity
Electrical, Gauges & Controls					
60	RTCA18463	TCA18463	Seat Switch	1	
Other Parts Available					
70	RTCA18456	TCA18456	Seat Cushion - Bottom Yellow	1	
71	RTCA24148	TCA24148	Seat Belt	1	
72	RTCA18455	TCA18455	Seat Slide Track Kit	1	
73	RAL210486	AL210486	Armrest Kit - LH	1	
74	RAL151392	AL151392	Lumbar Support	1	
75	RTCA18454	TCA18454	Lock - Back Rest	1	
77	RTCA18457	TCA18457	Cushion Kit - Back Yellow	1	

All original equipment manufacturers names and part numbers are used for identification purposes only, and we are in no way implying that our products are original equipment parts. Prices subject to change without notice.