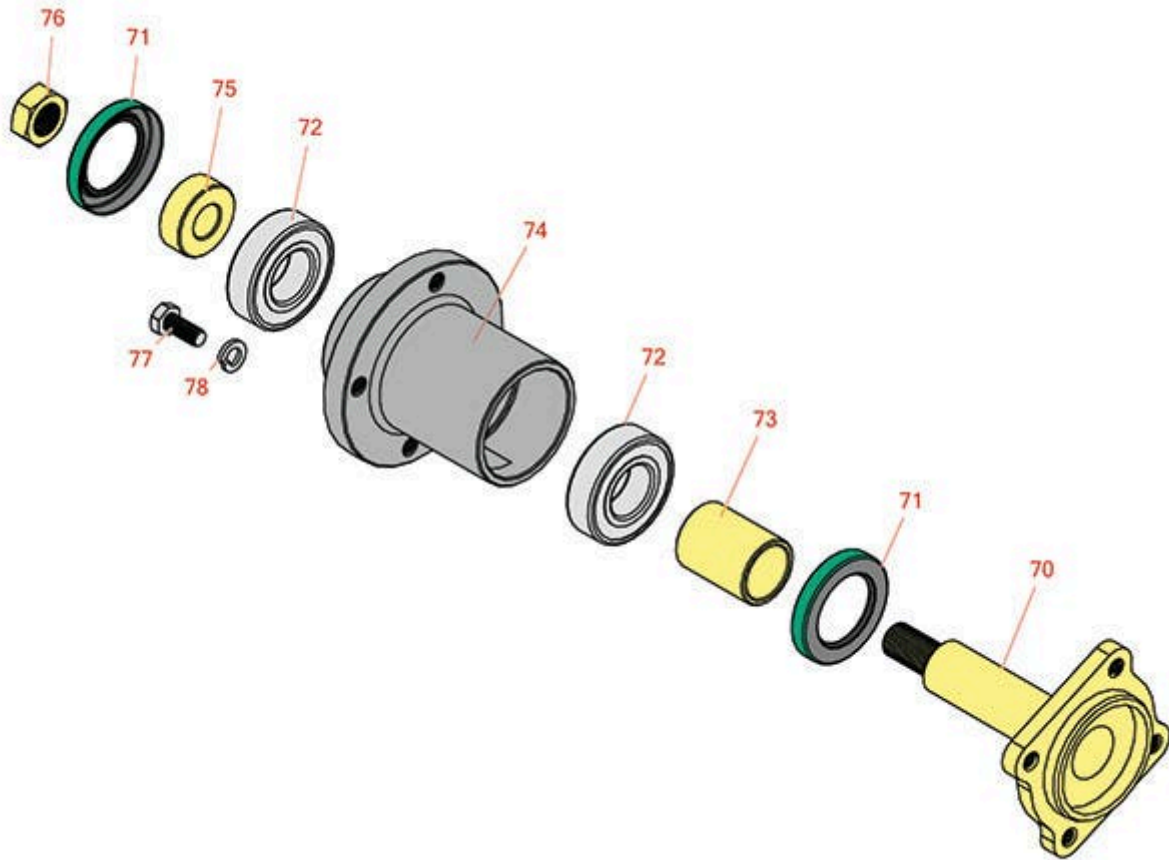




Replaces Toro Greensmaster 1018 Parts

Mower - Model 04820

Rear Drum



All original equipment manufacturers names and part numbers are used for identification purposes only, and we are in no way implying that our products are original equipment parts. Prices subject to change without notice.



Replaces Toro Greensmaster 1018 Parts

Mower - Model 04820

Rear Drum



Item No	R&R Part No.	OEM Part No.	Description	Qty Req	Order Quantity
70	R94-5850	94-5850	Spindle - Rear Roller Drum	1	
71	R253-159	253-159	Seal - Drum	2	
72	RA203605	251-82, 6610	Bearing	2	
73	R65-6520	65-6520	Spacer	1	
74	R132-6971	132-6971, 94-5852	Hub-Drum	1	
75	R65-6530	65-6530	Spacer - Seal	1	
76	R3296-33	3296-33	Locknut - 5/8-18 ESNA Jam	1	
77	R322-3	01-150-1420, 01-178-0506, 20-24-AD, 20-24-AGD, 322-3, 48-9270, 513339, 908017P	Bolt - Hex HD 5/16-18 x 3/4	8	
78	R3253-4	01-166-0110, 01-166-0510, 23-10-GD, 24-7170, 30-8520, 3253-4, 42-9850, 48-9350, 48-9360, 48-9570, 68-9420, 99-7577	Washer - Lock 5/16 Zinc	8	

All original equipment manufacturers names and part numbers are used for identification purposes only, and we are in no way implying that our products are original equipment parts. Prices subject to change without notice.