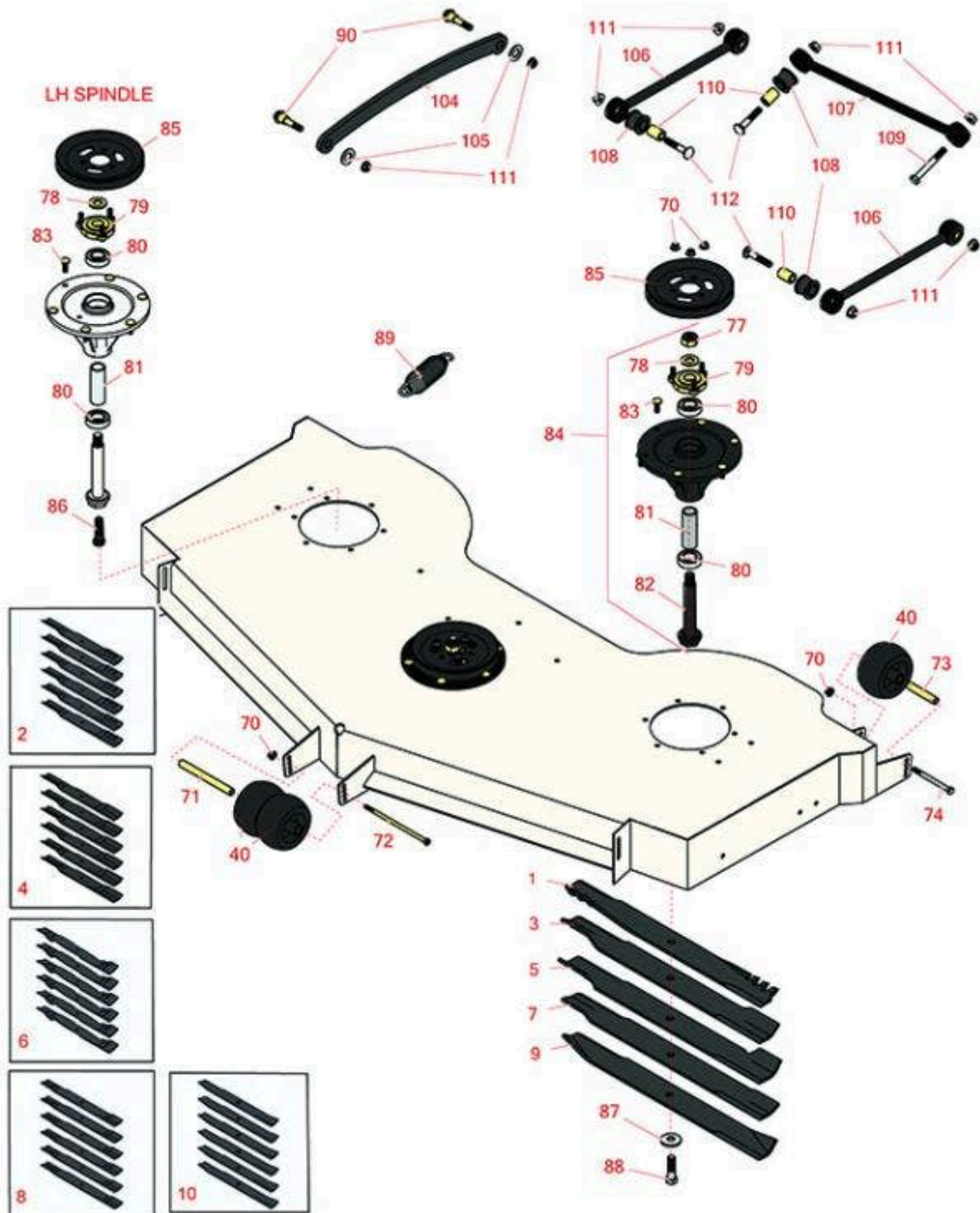




Replaces Toro Z Master Professional 7500-D Parts

Zero-Turn Mower with 72in Deck - Model 74074
72in Rotary Deck



All original equipment manufacturers names and part numbers are used for identification purposes only, and we are in no way implying that our products are original equipment parts. Prices subject to change without notice.



Replaces Toro Z Master Professional 7500-D Parts

Zero-Turn Mower with 72in Deck - Model 74074
72in Rotary Deck



Item No	R&R Part No.	OEM Part No.	Description	Qty Req	Order Quantity
Rotary Blades					
1	R105-7719-03	105-7719-03	Mower Blade - 24.5 in Mulcher w/Hard Facing	3	
2	R108-1126	108-1126	Mower Blade Kit - 24.5 in Mulcher w/Hard Facing Set/6	1	
3	R105-7711-03	105-7711-03, 105-7778-03	Mower Blade - 24.5 in Mid-Flow	3	
4	R110-0404	110-0404	Mower Blade Kit - 24.5 in Mid-Flow Set/6	1	
5	R105-7784-03	105-7784-03	Mower Blade - 24.5 in High-Flow	3	
6	R108-1120	108-1120	Mower Blade Kit - 24.5 in High-Flow Set/6	1	
7	R105-7712-03	105-7712-03	Mower Blade - Low Flow 24.5 in	3	
8	R110-0410	110-0410	Mower Blade Kit - 24.5 in Low-Flow Set/6	1	
9	R105-7778-03	105-7711-03, 105-7719-03, 105-7778-03	Mower Blade - 24.5 in Recycler w/Hard Facing	3	
10	R110-0411	110-0411	Mower Blade Kit - 24.5 in Recycler w/Hard Facing Set/6	1	
Wheels					
40	R68-2730	1-603299, 68-2730	Wheel - Anti Scalp	4	
Other Parts Available					
70	R104-8301	104-8301, 104-9301, 109-6658, 133-7570	Locknut - 3/8-16 Nylon Flanged	42	
71	R98-5967	98-5967	Spacer-Wheel	1	
72	R108-5388	108-5388	Bolt - Hx HD 3/8-16 x 7 1/2	1	
73	R98-7912	98-7912	Bushing - Spanner Wheel	2	

All original equipment manufacturers names and part numbers are used for identification purposes only, and we are in no way implying that our products are original equipment parts. Prices subject to change without notice.



Replaces Toro Z Master Professional 7500-D Parts

Zero-Turn Mower with 72in Deck - Model 74074
72in Rotary Deck



Item No	R&R Part No.	OEM Part No.	Description	Qty Req	Order Quantity
74	R323-23	01-150-0810, 01-178-0636, 20-60-AGD, 323-23	Bolt - Hex HD 3/8-16 x 4-1/2	2	
77	R3296-67	3296-67	Locknut - 3/4-16 Heavy Jam RH Thread	2	
78	R92-5836	92-5836	Flat Washer - Hardened	3	
79	R127-0557	127-0557	Spindle Hub Assy w/Studs	3	
80	R116-0720	116-0720	Bearing - Ball - Special Triple Seal	6	
81	R127-0554	127-0554	Spacer - Bearing	3	
82	R127-0556	127-0556	Shaft- Spindle	2	
83	R114-8195	114-8195, R & R ONLY	Bolt- Ribbed Neck	18	
84	R127-0560	127-0560	Spindle Assy - No Grease	2	
85	R105-7734	105-7734	Pulley - 7.75 in Dia with 1.75 Bore	3	
86	R125-9326	125-9326	Bolt - Blade LH Thread - Hardened	1	
87	R103-0865	103-0865	Washer - Blade Bolt HD	3	
88	R51-4060	51-4060	Bolt - Blade	2	
89	R116-6317	116-0133, 116-6317	Spring - Extension	1	
90	R116-2022	116-2022	Shoulder Bolt - Flanged Hex Head	2	
104	R116-0797-03	116-0797-03	Link-Lift - Deck	1	

All original equipment manufacturers names and part numbers are used for identification purposes only, and we are in no way implying that our products are original equipment parts. Prices subject to change without notice.



Replaces Toro Z Master Professional 7500-D Parts

Zero-Turn Mower with 72in Deck - Model 74074
72in Rotary Deck



Item No	R&R Part No.	OEM Part No.	Description	Qty Req	Order Quantity
105	R453022	01-166-0480, 01-166-1220, 21-3880, 217-21, 30-8550, 30-9110, 3256-28, 3256-44, 46-9030, Mar-71	Washer - 3/4 SAE	2	
106	R109-7952	109-7952	Deck Strut Assy	2	
107	R109-5013	109-5013	Panhard Rod Assy	1	
108	R109-5009	109-5009	Bushing - Suspension - Rubber	6	
109	R325-17	01-150-0640, 01-150-0850, 01-178-0832, 01-178-0836, 20-97-AGD, 325-17, 325-18, 48-9260	Bolt - Hex Head	1	
110	R109-5010	109-5010	Spacer	4	
111	R32128-23	32128-23, 3218-23, 99-5107	Nut - Lock Hex Flanged 1/2-13	8	
112	R3233-34	3233-34	Carriage Bolt - 1/2-13 x 2 1/2 Grade 5	5	

All original equipment manufacturers names and part numbers are used for identification purposes only, and we are in no way implying that our products are original equipment parts. Prices subject to change without notice.