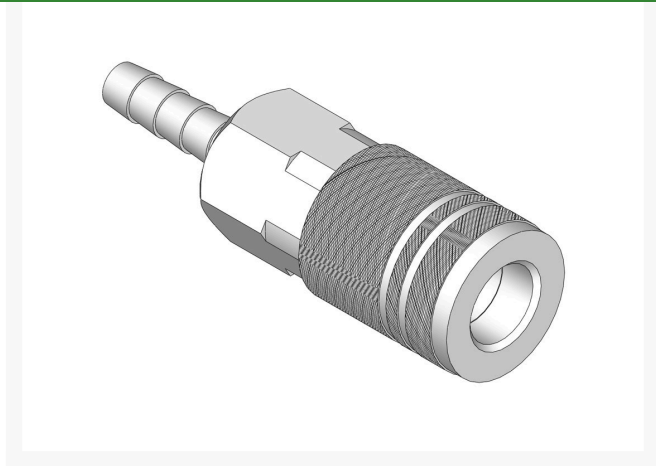




## Coupler - 1/4 Hose Barb R5531



### Details

Plated steel couplers with hardened steel balls & stainless steel springs or brass fittings that offer corrosion resistance, ductility at high temperatures, and low magnetic permeability. Maximum working pressure 300 PSI.

### Specifications

Manufacturer

R&R Products

### Amacron Golf & Turf

19 Tate Drive Kerang, 3579

+61 2 8011 1001 Toll Free: 1300 AMACRON

<https://amacron.rrproducts.com/>