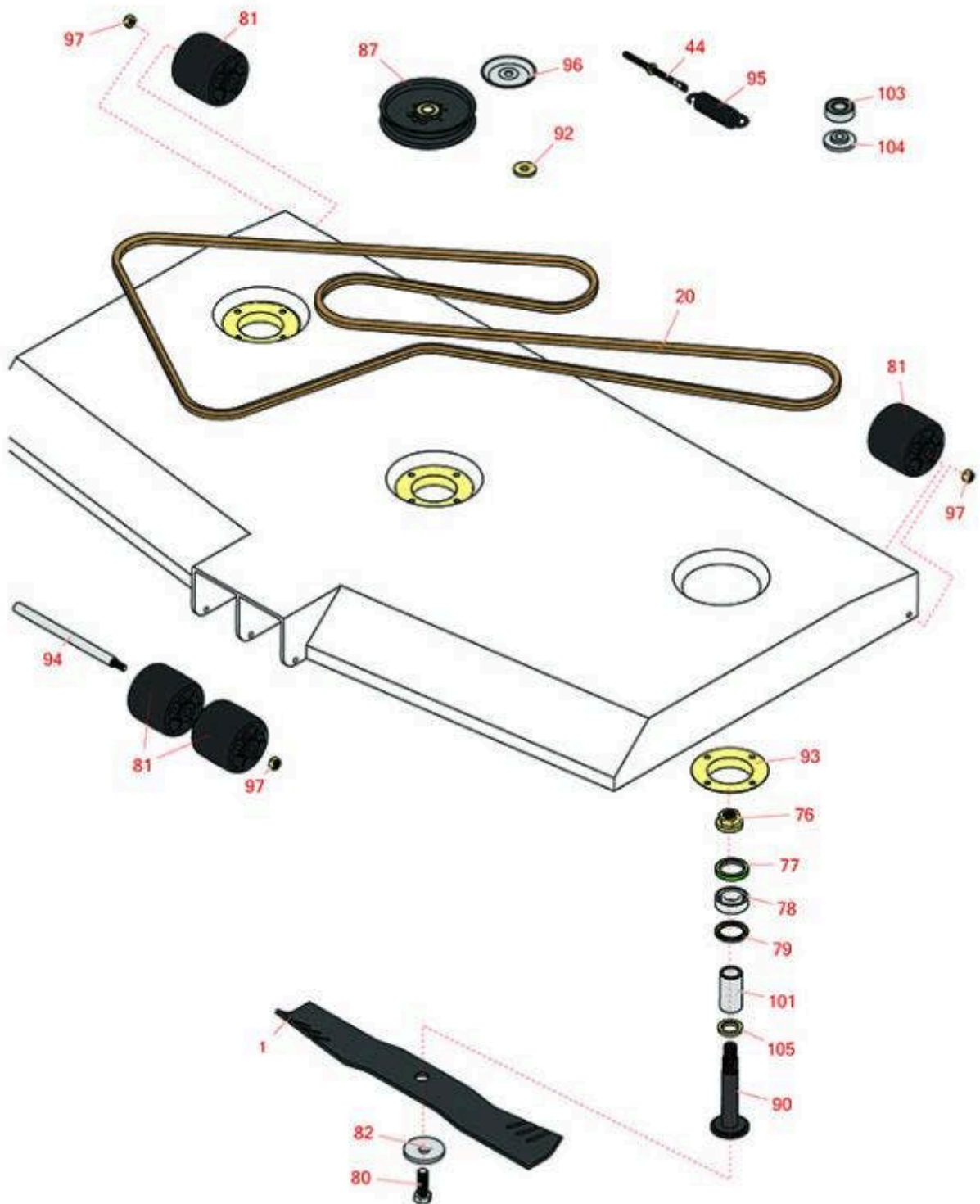




Replaces John Deere 1420 Rotary Mower Parts

60 & 72in Rear Discharge Deck - Model 2849
62in Deck Parts



All original equipment manufacturers names and part numbers are used for identification purposes only, and we are in no way implying that our products are original equipment parts. Prices subject to change without notice.



Replaces John Deere 1420 Rotary Mower Parts

60 & 72in Rear Discharge Deck - Model 2849
62in Deck Parts



Item No	R&R Part No.	OEM Part No.	Description	Qty Req	Order Quantity
Rotary Blades					
1	RM144935	M144935, TCU51118	Mower Blade - Mulcher - 22 x 3 x 1/4 in	3	
Belts					
20	RTC14356	TCU14356	V-Belt - Fits 62 in Decks	1	
<i>Tech Note: Fits 62 in Deck:</i>					
Other Parts Available					
44	RM141764	M141764	Eyebolt - Includes Flanged Locknut	1	
76	RM123569	M123569	Flange Nut	3	
77	R253-133	M85699	Seal - Oil	3	
78	RM88251	M169375, M88251	Bearing - Spindle	6	
79	RM127198	M127198	Seal	3	
80	R19M7489	19M7489	Bolt Hex HD - M16 x 45 Gr 10.9	3	
81	RM115245	M115245	Roller	4	
82	RM123522	M123522	Washer - Belleville - Blade Bolt	3	
87	RTCA17524	TCA17524	Idler Pulley - 5 in Flat Dia with .75 in Brg ID	2	
90	RM134382	M134382	Spindle - 25 mm w/M12-1.75 Blade Bolt Thrd	3	
92	R24M7226	24M7226	Washer - 13 x 35 x 5 mm	1	
93	RTC51223	TCU51223	Deflector - Grass	3	
94	RM124203	M124203	Shaft	1	
95	RM136044	M136044	Spring - Extension	1	
96	RM133598	M133598	Shield	2	

All original equipment manufacturers names and part numbers are used for identification purposes only, and we are in no way implying that our products are original equipment parts. Prices subject to change without notice.



Replaces John Deere 1420 Rotary Mower Parts

60 & 72in Rear Discharge Deck - Model 2849
62in Deck Parts



Item No	R&R Part No.	OEM Part No.	Description	Qty Req	Order Quantity
97	R14M7400	14M7400	Locknut - 10mm	3	
101	RM163058	M127517, M163058	Bushing - Sub For M127517	3	
103	R93-2559	TCU23201	Bearing	2	
104	RM132309	M132309	Spacer	2	
105	RM163060	M133398, M163060	Washer - Replaces RM133398	3	

All original equipment manufacturers names and part numbers are used for identification purposes only, and we are in no way implying that our products are original equipment parts. Prices subject to change without notice.