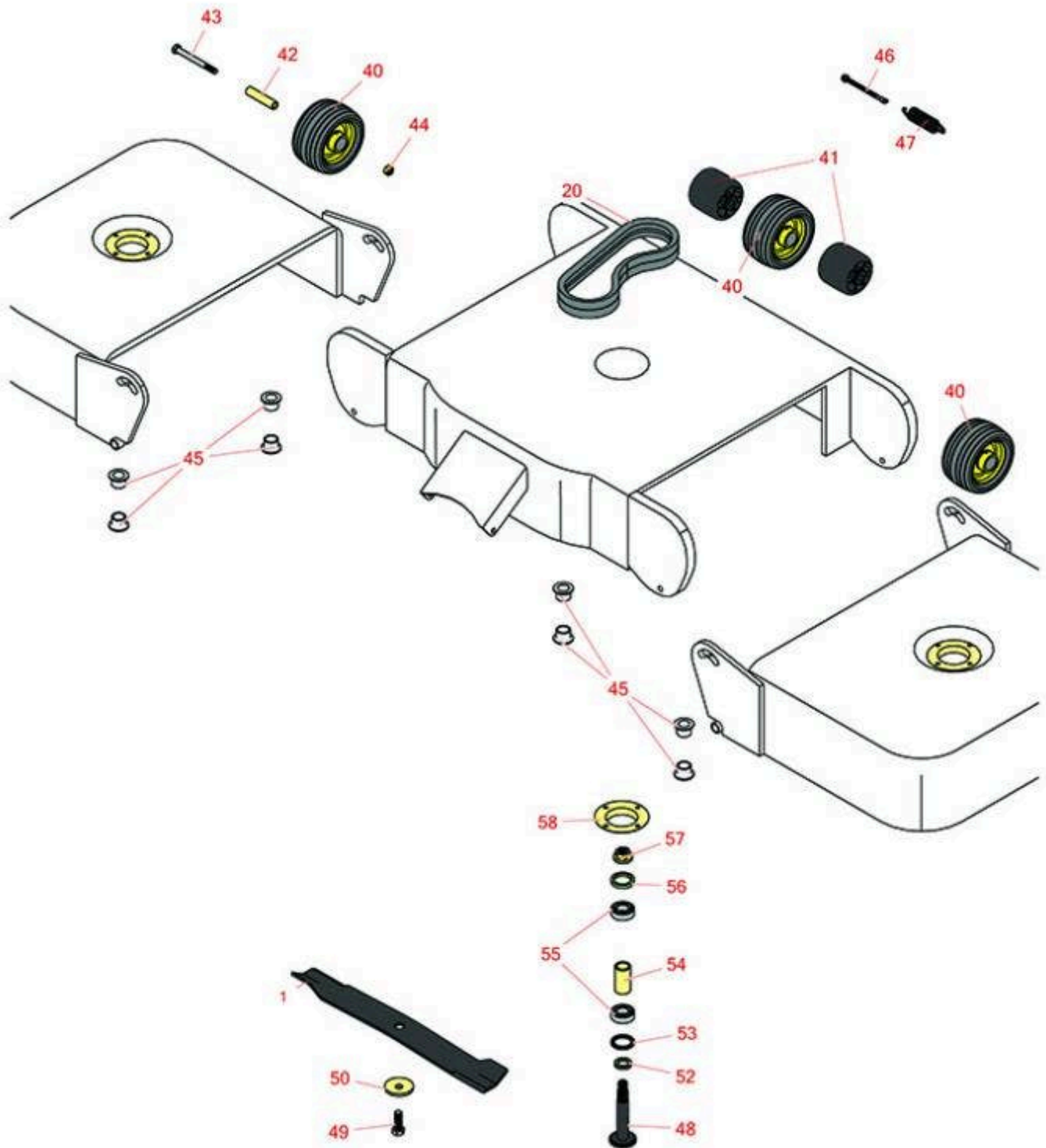




Replaces John Deere 1420 Rotary Mower Parts

V-Flex 7-Iron Mower Deck - Model 9244
Deck Parts



All original equipment manufacturers names and part numbers are used for identification purposes only, and we are in no way implying that our products are original equipment parts. Prices subject to change without notice.



Replaces John Deere 1420 Rotary Mower Parts

V-Flex 7-Iron Mower Deck - Model 9244
Deck Parts



Item No	R&R Part No.	OEM Part No.	Description	Qty Req	Order Quantity
Rotary Blades					
1	RTCU15882	M143749, TCU15882	Mower Blade - High Lift - 25 x 3 x 1/4 w/.910 Hole	3	
Belts					
20	RTCA14778	TCA14778	Belt Set	1	
Other Parts Available					
40	RM74566	M74566	Tire w/Wheel Assy - Rear	3	
<i>Tech Note: Incl: R500551 and R500553 - 6" X 3":</i>					
41	RM115245	M115245	Roller	2	
42	RTCU14706	TCU14706	Spacer - Castor Wheel	3	
43	R19M7821	19M7821	Bolt - Axle - M12 x 120	3	
44	R14M7401	14M7401	Locknut - 12mm x 1.75	11	
45	RM83541	M83541	Bushing - Flanged - 1 in ID	8	
46	RM141764	M141764	Eyebolt - Includes Flanged Locknut	1	
47	RM136044	M136044	Spring - Extension	1	
48	RM134382	M134382	Spindle - 25 mm w/M12-1.75 Blade Bolt Thrd	3	
49	R19M7489	19M7489	Bolt Hex HD - M16 x 45 Gr 10.9	3	
50	RM123522	M123522	Washer - Belleville - Blade Bolt	3	
52	RM163060	M133398, M163060	Washer - Replaces RM133398	3	
53	RM127198	M127198	Seal	3	
54	RM163058	M127517, M163058	Bushing - Sub For M127517	3	

All original equipment manufacturers names and part numbers are used for identification purposes only, and we are in no way implying that our products are original equipment parts. Prices subject to change without notice.



Replaces John Deere 1420 Rotary Mower Parts

*V-Flex 7-Iron Mower Deck - Model 9244
Deck Parts*



Item No	R&R Part No.	OEM Part No.	Description	Qty Req	Order Quantity
55	RM88251	M169375, M88251	Bearing - Spindle	6	
56	R253-133	M85699	Seal - Oil	3	
57	RM123569	M123569	Flange Nut	3	
58	RTC51223	TCU51223	Deflector - Grass	3	

All original equipment manufacturers names and part numbers are used for identification purposes only, and we are in no way implying that our products are original equipment parts. Prices subject to change without notice.