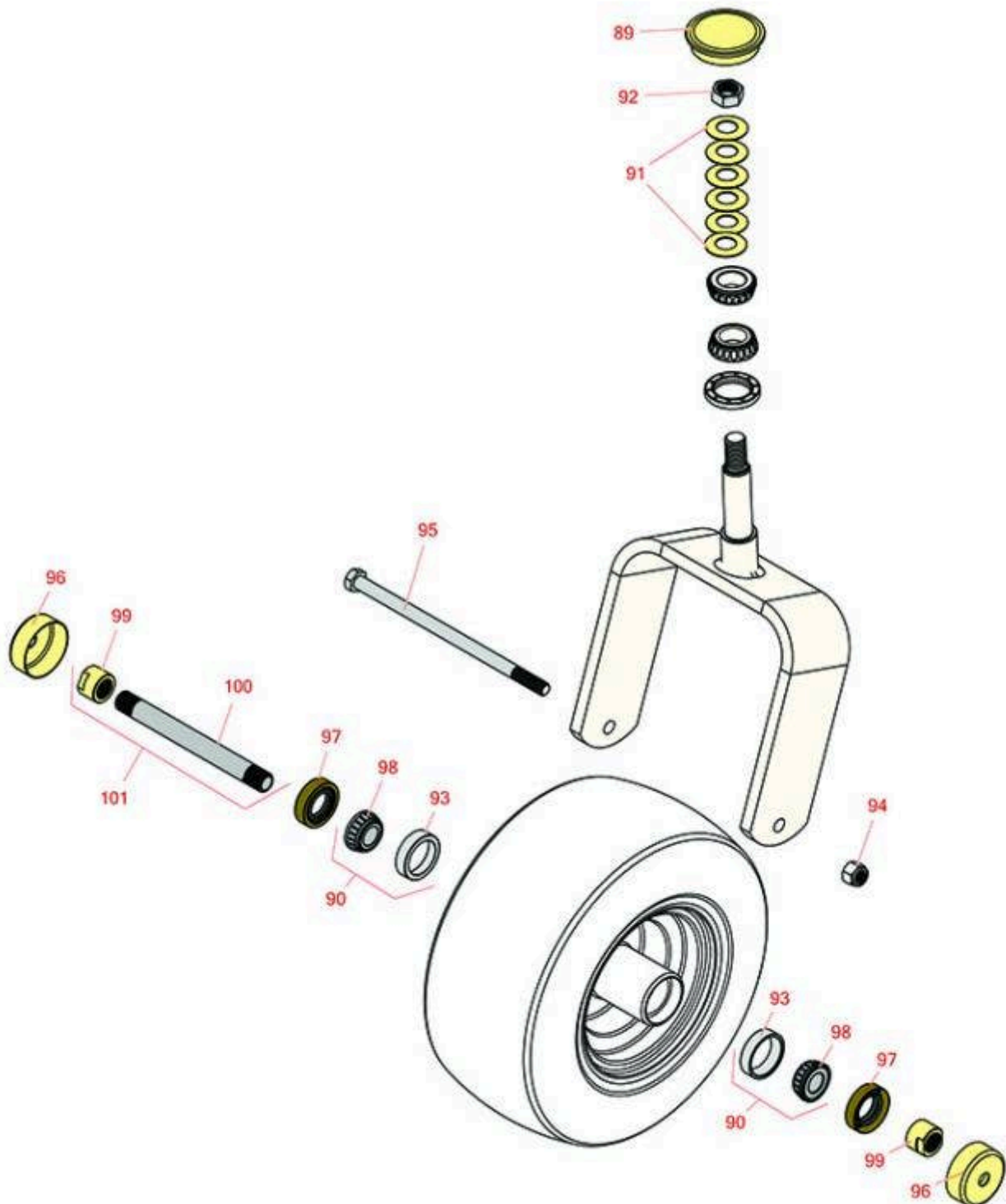




# Replaces Toro Z Master Professional 7500-D Parts

Zero-Turn Mower with 60in Deck - Model 74064  
Caster Wheel



All original equipment manufacturers names and part numbers are used for identification purposes only, and we are in no way implying that our products are original equipment parts. Prices subject to change without notice.



# Replaces Toro Z Master Professional 7500-D Parts

Zero-Turn Mower with 60in Deck - Model 74064  
Caster Wheel



| Item No | R&R Part No. | OEM Part No. | Description | Qty Req | Order Quantity |
|---------|--------------|--------------|-------------|---------|----------------|
|---------|--------------|--------------|-------------|---------|----------------|

## Other Parts Available

|  |                  |   |                              |    |  |
|--|------------------|---|------------------------------|----|--|
| 89   | <b>R126-9369</b> | 126-9369  | Grease Cap - Castor          | 2  |  |
| 90   | <b>R500534</b>   | 1-633585  | Bearing - with Cup           | 4  |  |
| 91   | <b>R1-633508</b> | 1-633508  | Washer - Spring Disc         | 12 |  |
| 92   | <b>R3296-51</b>  | 3296-51,<br>3296-81   | Nut - Nylon Lock 3/4-10 Gr 8 | 2  |  |
| 93   | <b>R254-79</b>   | 01-103-0060,<br>01-103-0130,<br>1-633584,<br>252-106,<br>254-79,<br>32-7800,<br>32-9590 | Cup - Bearing                | 4  |  |
| <i>Tech Note: Use R254-79M installation mandrel to properly install race.:</i> |                  |   |                              |    |  |
| 94   | <b>RF5003</b>    | 32127-29,<br>32131-5,<br>32132-5,<br>3296-23  | Locknut - ESNA 1/2-13        | 2  |  |
| 95   | <b>R325-39</b>   | 325-39  | Bolt - Hx HD 1/2-13 x 9 1/2  | 2  |  |
| 96   | <b>R103-2768</b> | 103-2768  | Guard - Seal                 | 4  |  |
| 97   | <b>R103-0063</b> | 103-0063  | Seal - Grease                | 4  |  |
| 98   | <b>R254-78</b>   | 01-102-0060,<br>01-102-0130,<br>1-633585,<br>254-78,<br>32-7790,<br>32-9580,<br>93-4813 | Tapered Bearing Cone         | 4  |  |
| 99   | <b>R103-3051</b> | 103-3051  | Spacer - Nut - Hardened      | 4  |  |
| 100  | <b>R103-5156</b> | 103-5156  | Axle- Caster                 | 2  |  |

All original equipment manufacturers names and part numbers are used for identification purposes only, and we are in no way implying that our products are original equipment parts. Prices subject to change without notice.



# Replaces Toro Z Master Professional 7500-D Parts

*Zero-Turn Mower with 60in Deck - Model 74064  
Caster Wheel*



| Item No | R&R Part No.     | OEM Part No. | Description                       | Qty Req | Order Quantity |
|---------|------------------|--------------|-----------------------------------|---------|----------------|
| 101     | <b>R126-5361</b> | 126-5361     | Axle Assy - with Bushing - Caster | 2       |                |

All original equipment manufacturers names and part numbers are used for identification purposes only, and we are in no way implying that our products are original equipment parts. Prices subject to change without notice.