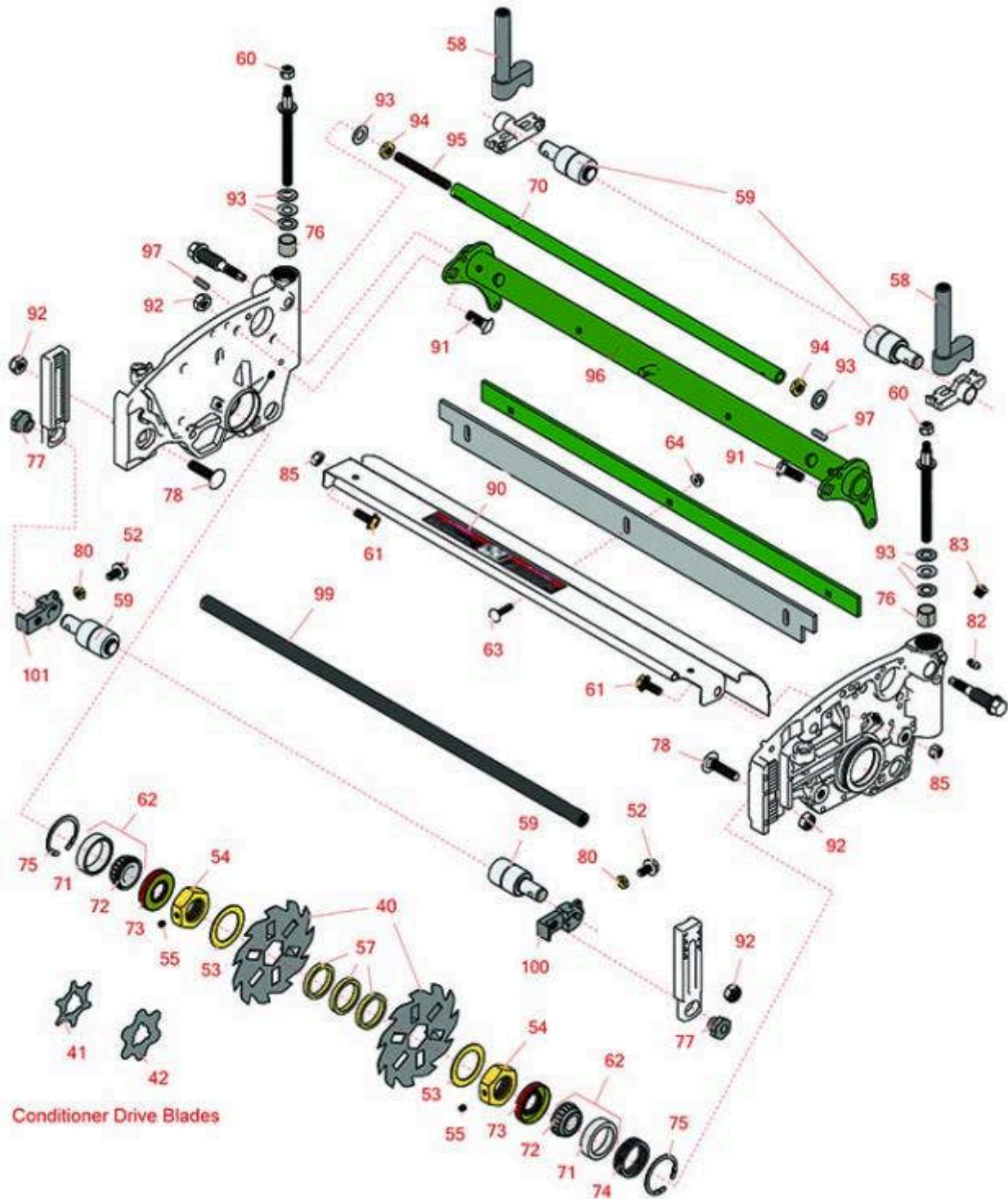




Replaces John Deere 2550 E-Cut Riding Greens Mower Parts

Verti-Cut Unit
Reel & Frame



All original equipment manufacturers names and part numbers are used for identification purposes only, and we are in no way implying that our products are original equipment parts. Prices subject to change without notice.



Replaces John Deere 2550 E-Cut Riding Greens Mower Parts

Verti-Cut Unit
Reel & Frame



Item No	R&R Part No.	OEM Part No.	Description	Qty Req	Order Quantity
Blades					
40	R150209C	TCU26776	Verti-Cut Blade - Carbide Tipped 2mm	27	
Conditioner Drive Blades					
41	RET14707	ET14707	Verti-Cut Blade - .025 x 2.375	72	
42	RMT2624	MT2624	Knife - Greens Conditioner	38	
Other Parts Available					
52	R33114-016	19M7162	Bolt - Hx HD 8mm x 1.25 x 15	2	
53	R24H1513	24H1513	Washer	2	
54	RET17053	ET17053	Nut - 1-1/8-7 Jam Incl Set Screw	2	
55	R3245-35	22H841	Screw - Set 1/4-28 x 1/4	2	
57	RET17713	ET17713	Spacer - Vertical Mower Shaft	79	
58	RAUC13598	AUC13598	Adjuster	2	
59	RAA35741	AA35741, AET10129, TCA22836	Bearing	4	
<i>Tech Note: 1/4" Side Hole:</i>					
60	RM148268	M148268	Lock Nut	2	
61	R19M7866	19M7866	Bolt - Flanged Hex M8-1.25 x 20	2	
62	R500534		Bearing - with Cup	2	
63	R03M7232	03M7232	Bolt - Carriage M6-1.0 x 25	3	
64	R14M7303	14M7303	Nut - 6mm x 1.0 Flanged	3	
70	RTC26729	TCU26729	Tube	1	
71	R254-79	JD8226	Cup - Bearing	2	

All original equipment manufacturers names and part numbers are used for identification purposes only, and we are in no way implying that our products are original equipment parts. Prices subject to change without notice.



Replaces John Deere 2550 E-Cut Riding Greens Mower Parts

Verti-Cut Unit
Reel & Frame



Item No	R&R Part No.	OEM Part No.	Description	Qty Req	Order Quantity
<i>Tech Note: Use R254-79M installation mandrel to properly install race.:</i>					
72	R254-78	JD8188	Tapered Bearing Cone	2	
73	RET14566	ET14566	Seal - Reel	2	
74	RTC23880	TCU23880, TCU28964	Compression Spring - Reel Bearing	1	
75	R40M7226	40M1862, 40M7226	Ring - Retaining	2	
76	RMT74	MT74	Bushing - Roller Bkt	2	
77	RTC28635	TCU24555, TCU28635	Eccentric	2	
78	R03M7194	03M7194	Bolt	2	
80	R14M7151	14M7151	Nut - Jam Roller Adj	2	
82	R302-5	JD7797, JD7842, JD7844	Fitting - Grease	2	
83	R170714	E14814	Fitting - Pressure Relief	2	
85	RH137328	H137328	Locknut	2	
90	RMT6517	MT6517	Label - Warning	1	
91	R03M7191	03M7191	Bolt - Carriage M10 x 25	4	
92	R14M7517	14M7517	Locknut - 10mm x 1.5 ESNA	4	
93	RET16679	ET16679	Washer - Spring	8	
94	R14M7152	14M7152	Nut - 10mm x 1.5 Jam	2	
95	RTC25398	TCU25398	Compression Spring	1	
96	RAUC13891	AUC13891	Frame	1	

All original equipment manufacturers names and part numbers are used for identification purposes only, and we are in no way implying that our products are original equipment parts. Prices subject to change without notice.



Replaces John Deere 2550 E-Cut Riding Greens Mower Parts

*Verti-Cut Unit
Reel & Frame*



Item No	R&R Part No.	OEM Part No.	Description	Qty Req	Order Quantity
97	RR30587	30587, R30587	Pin - Dowell 1/4 Dia. x .75	2	
99	RUC13425	UC13425	Rod - Hardened	1	
100	RUC18211	UC18211	Bracket	1	
101	RUC16109	UC16109	Bracket	1	

All original equipment manufacturers names and part numbers are used for identification purposes only, and we are in no way implying that our products are original equipment parts. Prices subject to change without notice.