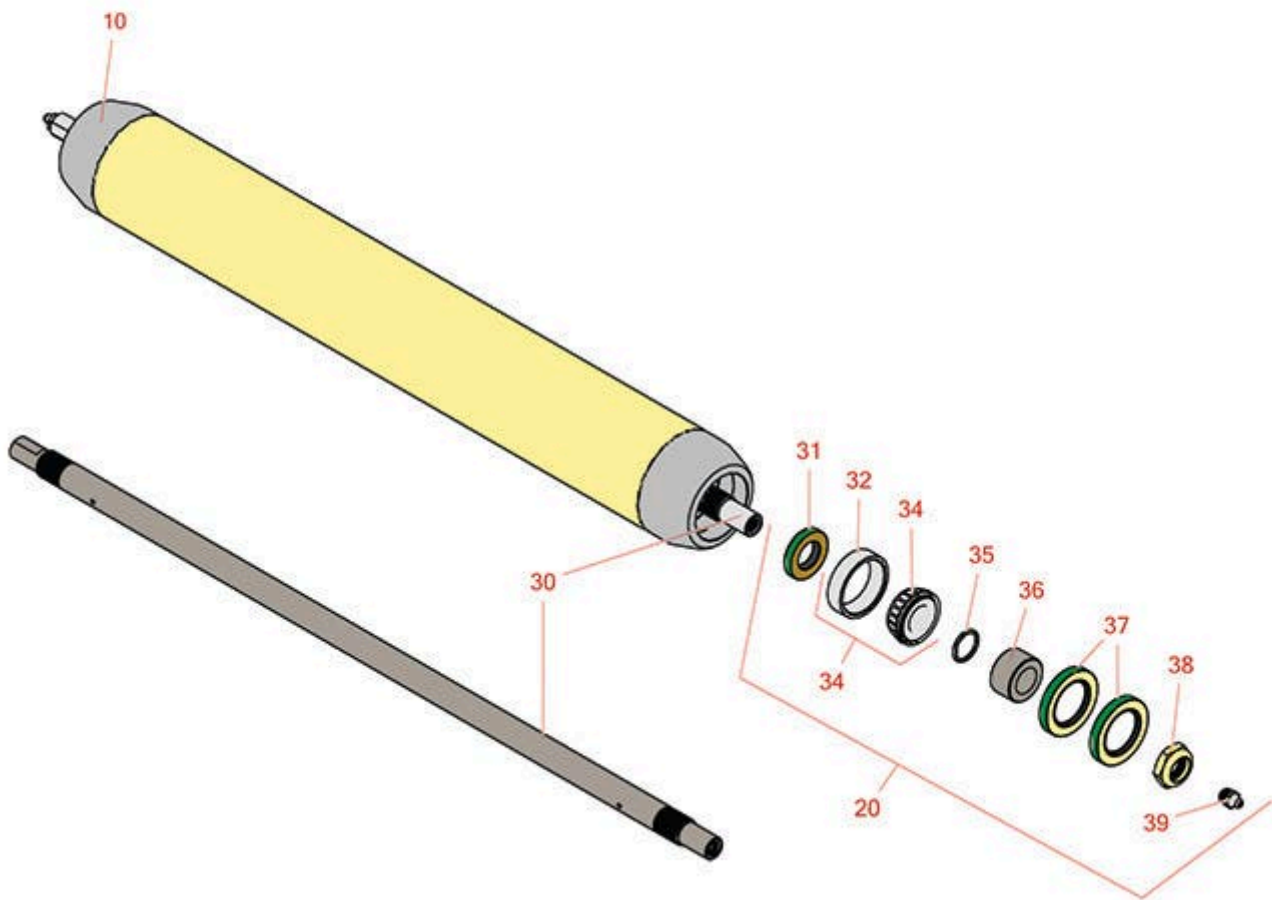




Replaces John Deere 1420 Rotary Mower Parts

V-Flex 7-Iron Mower Deck - Model 9244
Rear Roller



All original equipment manufacturers names and part numbers are used for identification purposes only, and we are in no way implying that our products are original equipment parts. Prices subject to change without notice.



Replaces John Deere 1420 Rotary Mower Parts

V-Flex 7-Iron Mower Deck - Model 9244
Rear Roller



Item No	R&R Part No.	OEM Part No.	Description	Qty Req	Order Quantity
---------	--------------	--------------	-------------	---------	----------------

Roller

10	RAET11263	AET11263, AMT2967	Roller - Smooth Tubular Steel	1	
----	------------------	----------------------	-------------------------------	---	--

Tech Note: Constructed with a through shaft, this heavy duty roller uses greasable tapered bearings for extended life.:

Overhaul Kits

20	RAET10632	AET10632	Overhaul Kit - Roller	1	
----	------------------	----------	-----------------------	---	--

Tech Note: Includes 4 ea: RET15755 Seal; 2 ea: R237-54 O-Ring, R253-122 Seal, R254-78 Bearing, R254-79 Cup, R3296-15 Locknut, R471219 Grease Zerk, RET15726 Sleeve, RET15756 Seal:

Other Parts Available

30	RET17515	ET17515	Shaft - Roller	1	
----	-----------------	---------	----------------	---	--

31	RET15756	ET15756, MT1739, MT739	Seal	2	
----	-----------------	------------------------------	------	---	--

32	R254-79	JD8226	Cup - Bearing	2	
----	----------------	--------	---------------	---	--

Tech Note: Use R254-79M installation mandrel to properly install race.:

33	R254-78	JD8188	Tapered Bearing Cone	2	
----	----------------	--------	----------------------	---	--

34	R500534		Bearing - with Cup	2	
----	----------------	--	--------------------	---	--

35	R237-54	U46731, U6731	O-Ring - Small	2	
----	----------------	------------------	----------------	---	--

36	RET15726	ET15726, RET15726	Sleeve - Wear Hardened	2	
----	-----------------	----------------------	------------------------	---	--

37	RET15755	ET15755	Seal - Oil	4	
----	-----------------	---------	------------	---	--

38	R3296-15	N101345	Locknut - 3/4-16 Nylon Jam	2	
----	-----------------	---------	----------------------------	---	--

39	R471219	471219, JD7759, JD7798	Zerk - Grease	2	
----	----------------	------------------------------	---------------	---	--

All original equipment manufacturers names and part numbers are used for identification purposes only, and we are in no way implying that our products are original equipment parts. Prices subject to change without notice.



Replaces John Deere 1420 Rotary Mower Parts

*V-Flex 7-Iron Mower Deck - Model 9244
Rear Roller*



All original equipment manufacturers names and part numbers are used for identification purposes only, and we are in no way implying that our products are original equipment parts. Prices subject to change without notice.