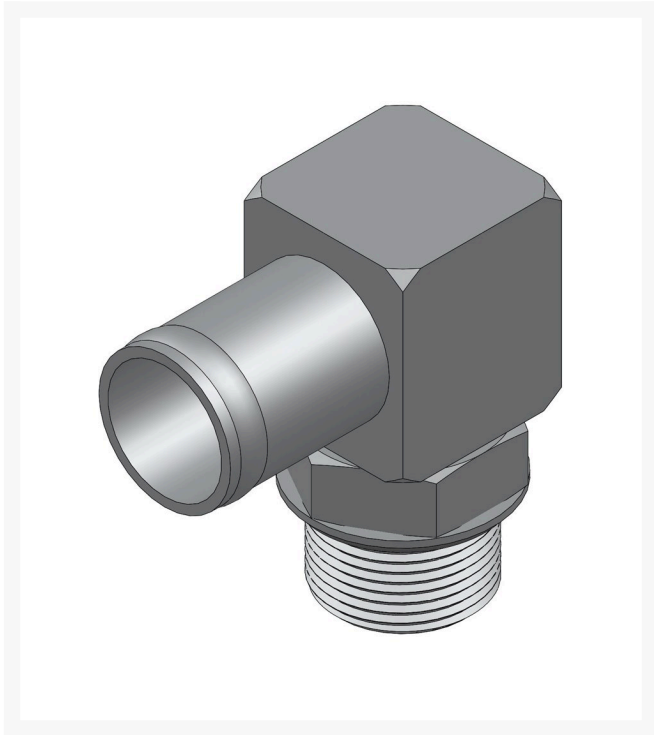




Hydraulic Fitting - 90 Deg

R92-7526



Replaces
Toro 92-7526

Specifications
Manufacturer R&R Products

Fits Models
Toro Groundsmaster 4000-D
Toro Groundsmaster 4010-D
Toro Groundsmaster 4100-D
Toro Groundsmaster 4500-D
Toro Groundsmaster 4700-D
Toro Groundsmaster 5900-D
Toro Groundsmaster 5910-D
Toro Reelmaster 6500D
Toro Groundsmaster 4110-D