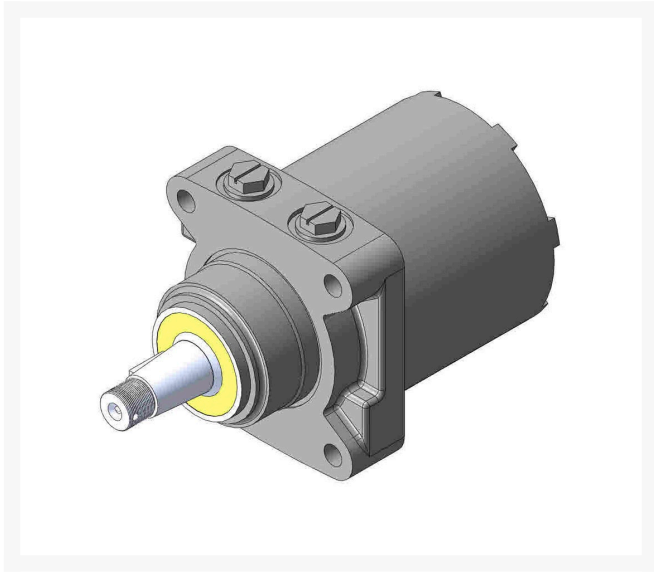




Hydraulic Motor - Wheel

RAM123681



Replaces

John Deere AM123681

Specifications

Manufacturer R&R Products

Fits Models

- John Deere 2500 Riding Greens Mower
- John Deere 2500A Riding Greens Mower
- John Deere 2500B Riding Greens Mower
- John Deere 2500E Riding Greens Mower
- John Deere 2500E Hybrid Riding Greens Mower
- John Deere 3225C Reel Mower
- John Deere 3235B Reel Mower
- John Deere 3235C Reel Mower
- John Deere 2400 Riding Greens Mower
- John Deere 2550 Riding Greens Mower
- John Deere 2550 E-Cut Riding Greens Mower
- John Deere 3245C Rotary Mower

Amacron Golf & Turf

19 Tate Drive Kerang, 3579

+61 2 8011 1001 Toll Free: 1300 AMACRON

<https://amacron.rrproducts.com/>