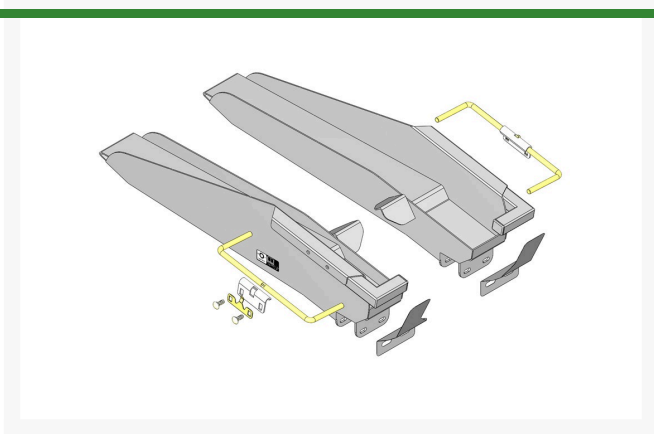
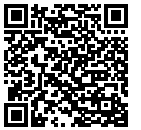




# Flat Ramp Kit - Black

R04245B



## Details

Secure loading ramp with safety latch for use during transport. When loading and unloading, front rollers are protected with a rubbed pad surface.

## Specifications

Manufacturer R&R Products

## Replacement Parts

|           |                               |
|-----------|-------------------------------|
| R105-5394 | Rod - Wheel Lock              |
| R106-5354 | Latch - Wheel Lock            |
| R107-8183 | Ramp Kit - LH - Black         |
| R107-8184 | Ramp Kit - RH - Black         |
| R108-3156 | Bracket - Wheel Lock          |
| R32128-21 | Locknut - Flanged             |
|           | 3/8-16 Whiz Top Lock          |
| R3231-2   | Bolt - Carriage 3/8-16 x<br>1 |

## Amacron Golf & Turf

19 Tate Drive Kerang, 3579

+61 2 8011 1001 Toll Free: 1300 AMACRON

<https://amacron.rrproducts.com/>