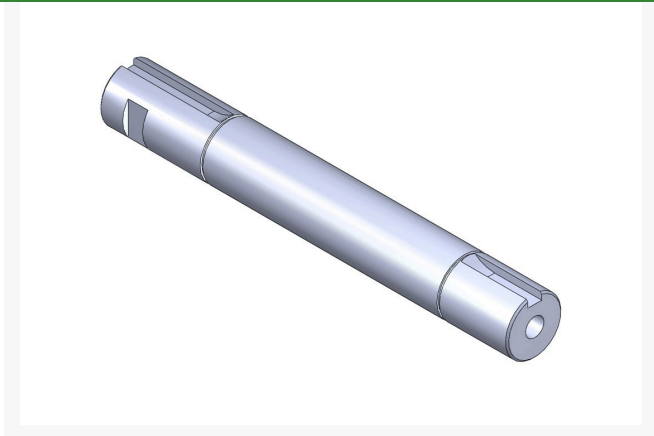
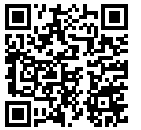




Shaft - Spindle

R048223



Replaces
Excel 048223

Specifications
Manufacturer R&R Products

Fits Models
Excel Hustler