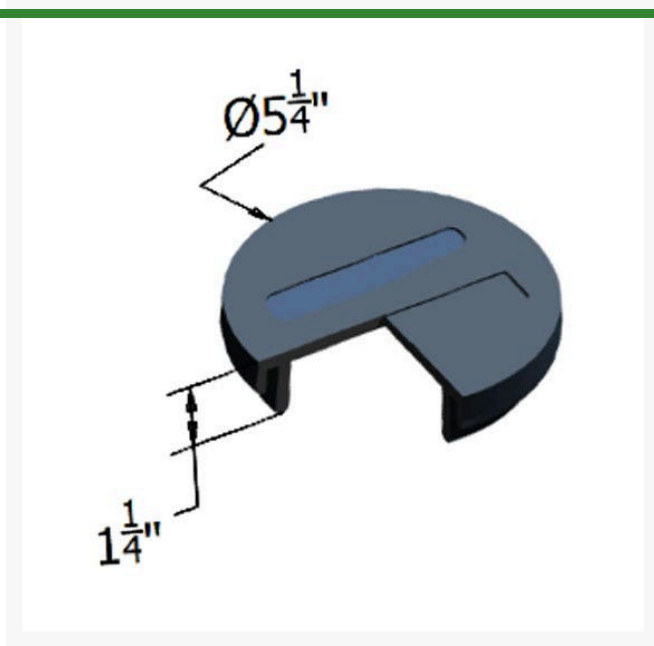




Carson Lid Only 510 - Black Blank

RGC05104001



Details

Replacement lid for the Carson 510 economy box. HDPE (high-density polyethylene) construction. UV inhibitors for long life and appearance. Made in USA.

Specifications

Manufacturer	Carson
Indicator	Blank
Lid Color	Black

Amacron Golf & Turf

19 Tate Drive Kerang, 3579

+61 2 8011 1001 Toll Free: 1300 AMACRON

<https://amacron.rrproducts.com/>