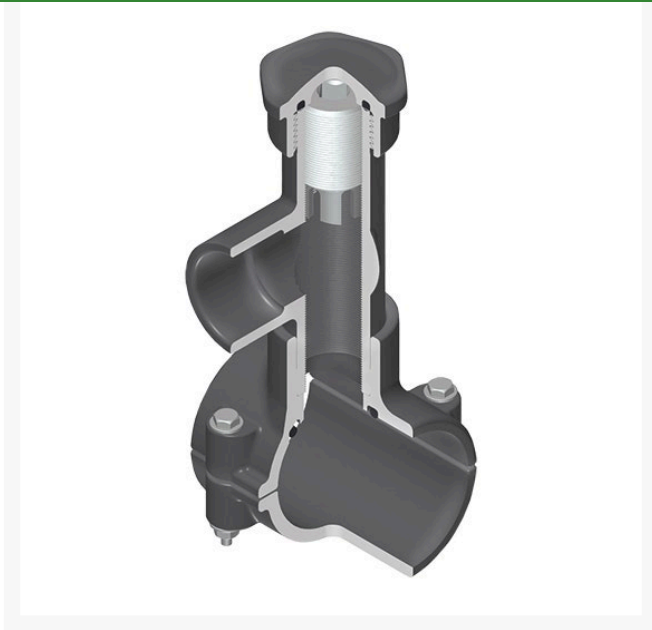




## 8x1-1/2 PVC Hot Tap Saddle Viton SS C RGHTS3S577



### Details

Hot Tap Saddles allow connection to existing pipelines under pressure. Specially designed tapping saddle allows pipe branch connection to pressurized "Hot" lines without system shut-down. Available in PVC White, Gray or CPVC Gray configurations. Industrial grade bolt-on saddle with EPDM or FKM O-ring seals and choice of zinc-plated steel or Type 316 stainless steel hardware. Built-in brass or stainless steel cutter easily cuts hole in PVC, CPVC, HDPE and PP Pipe. Special design captures and retains coupon from hole. Pressure rated to 235 psi @ 73F. Available to fit IPS Pipe 2" through 8" with versatile 3/4" socket - 1" spigot combination branch outlet or 1"-1/2" Socket - 2" spigot combination branch outlet.

### Specifications

Manufacturer	Spears
Seal Type	Viton

### Amacron Golf & Turf

19 Tate Drive Kerang, 3579

+61 2 8011 1001 Toll Free: 1300 AMACRON

<https://amacron.rrproducts.com/>