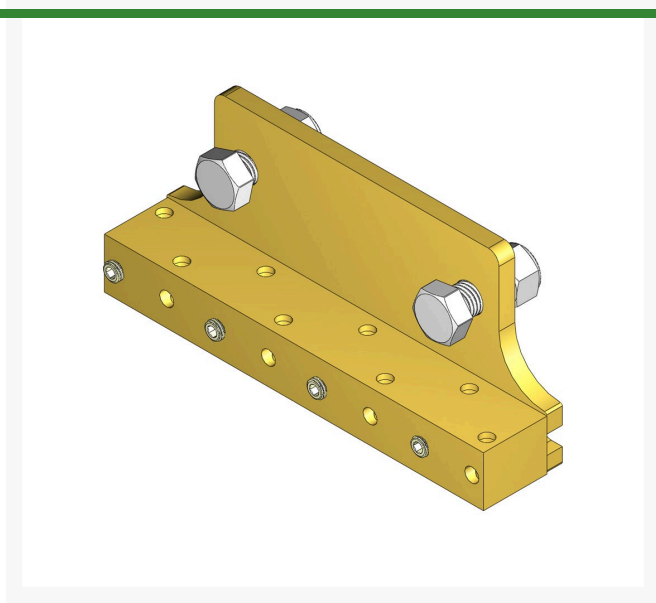




Tine Holder - Mini 8 Tine 3/8 Mt

R100-3693



Replaces

Toro 100-3693

Specifications

Manufacturer R&R Products

Fits Models

Toro ProCore 440

Toro ProCore 660

Toro ProCore 880

Replacement Parts

| | |
|------------|---------------------------------|
| R100-3694 | Screw - Set - 10mm x 1.5 x 25mm |
| R33028-00 | Locknut - 16mm x 2.0 ESNA |
| R33098-00 | Flatwasher - 16mm |
| R33118-045 | Bolt - Hex HD M16-2.0 x 45 |

Amacron Golf & Turf

19 Tate Drive Kerang, 3579

+61 2 8011 1001 Toll Free: 1300 AMACRON

<https://amacron.rrproducts.com/>