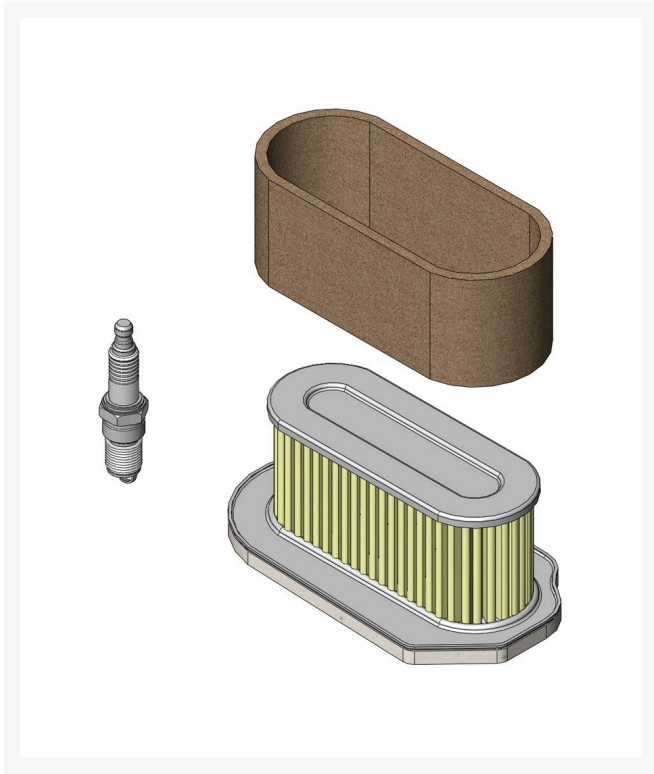




Filter Kit - 400 Hour Maintenance

R30067



Details

Includes: 1 ea: RAK11013-2132 Air Filter,
RAK11013-2133 Air Filter & RN7734 NGK Spark Plug

Replaces

Toro 30067

Specifications

Manufacturer R&R Products

Fits Models

John Deere 220A Walk-Behind Greens Mower
John Deere 220 Greens Mower
Toro Greensmaster 1010
Toro Greensmaster 1600
Toro Greensmaster 2600
Toro Greensmaster 800
Toro Greensmaster Flex 21

Amacron Golf & Turf

19 Tate Drive Kerang, 3579

+61 2 8011 1001 Toll Free: 1300 AMACRON

<https://amacron.rrproducts.com/>