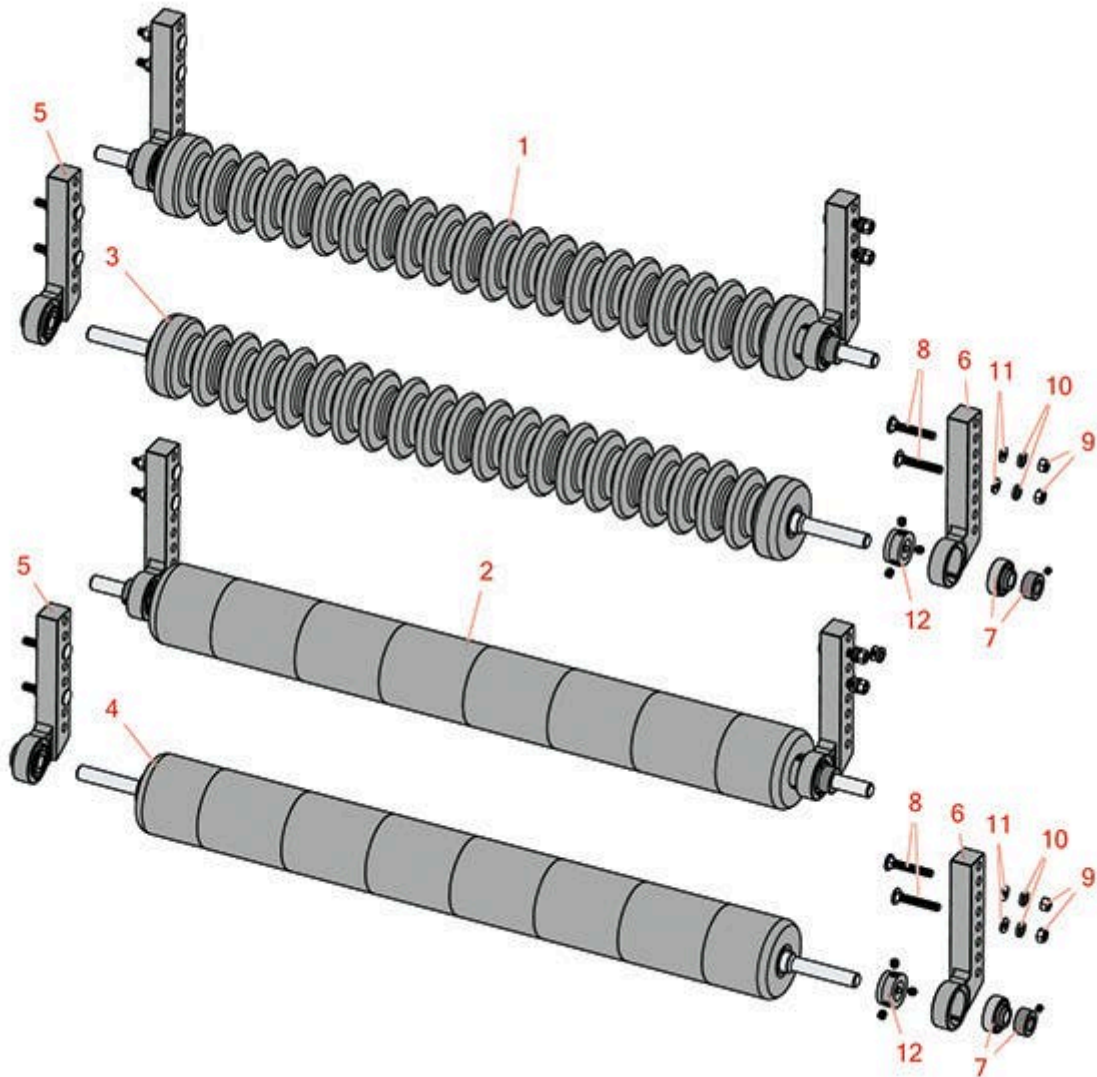




Replaces Jacobsen Blitzer Parts

Cutting Unit

Minuteman Roller System



All original equipment manufacturers names and part numbers are used for identification purposes only, and we are in no way implying that our products are original equipment parts. Prices subject to change without notice.



Replaces Jacobsen Blitzer Parts

Cutting Unit

Minuteman Roller System



Item R&R
No Part No.

OEM
Part No. Description

Qty
Req Order
Quantity

Complete Minuteman Roller Systems

1	RMJ9012	Minuteman Rear Grooved Roller System	0
---	----------------	--------------------------------------	---

Tech Note: Complete roller systems include roller and two brackets with bearings.:

2	RMJ9013	Minuteman Rear Smooth Roller System	0
---	----------------	-------------------------------------	---

Tech Note: Complete roller systems include roller and two brackets with bearings.:

Minuteman Rollers Only

3	RM534	Minuteman Grooved Roller Only	0
---	--------------	-------------------------------	---

Tech Note: Use with Minuteman Roller Bracket System Only:

4	RM535	Minuteman Smooth Roller Only	0
---	--------------	------------------------------	---

Tech Note: Use with Minuteman Roller Bracket System Only:

Other Parts Available

5	RJ931	Bracket - Rear LH	0
---	--------------	-------------------	---

6	RJ932	Bracket - Rear RH	0
---	--------------	-------------------	---

7	RMMB157	Bearing w/Locking Collar	0
---	----------------	--------------------------	---

8	RMM602	Bolt - Carriage 5/16-18 x 2 Gr 5	0
---	---------------	----------------------------------	---

9	RMM603	Nut - Hex 5/16-18	0
---	---------------	-------------------	---

10	R446136	446134, 446136 Washer - Lock 5/16 Zinc	0
----	----------------	--	---

11	R453009	3256-23, 452004, 452006, 452008, 453009 Washer - Flat 5/16 SAE	0
----	----------------	---	---

12	RMM3	End Hub - 7/8 ID	0
----	-------------	------------------	---

All original equipment manufacturers names and part numbers are used for identification purposes only, and we are in no way implying that our products are original equipment parts. Prices subject to change without notice.