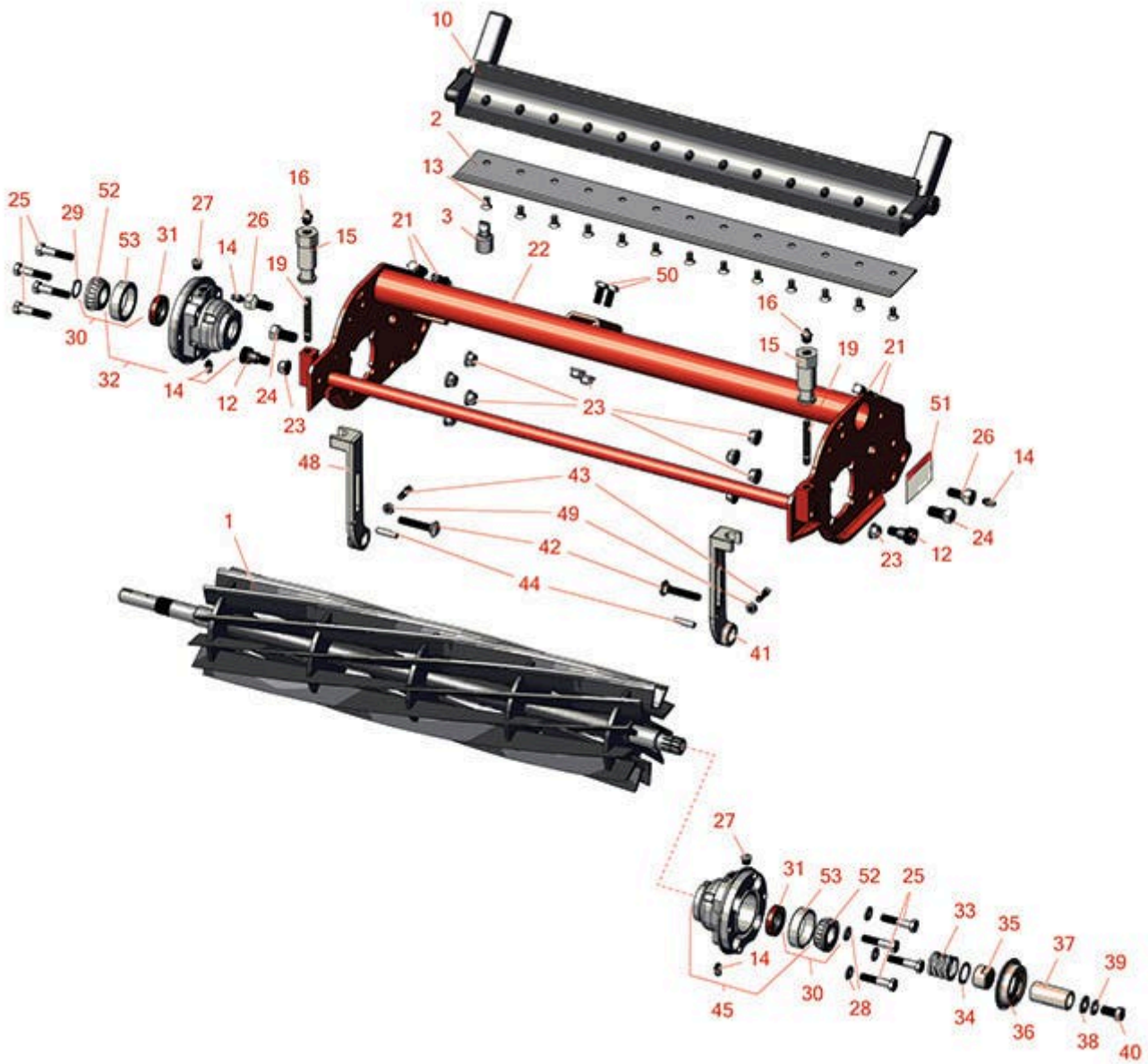




Replaces Jacobsen Eclipse 122F Parts

Floating Head Cutting Unit
Reel & Bedknife



All original equipment manufacturers names and part numbers are used for identification purposes only, and we are in no way implying that our products are original equipment parts. Prices subject to change without notice.



Replaces Jacobsen Eclipse 122F Parts

Floating Head Cutting Unit
Reel & Bedknife



Item No	R&R Part No.	OEM Part No.	Description	Qty Req	Order Quantity
R&R Reels, Lifetime Guaranteed					
1	R506636	5000028, 5001101, 506636	Reel - 11 Blade LH	1	
1	R101357		Reel - 14 Blade	1	
R&R Bedknives, Lifetime Guaranteed					
2	R5002887	5002887	Bedknife - Micro Cut - .082-.109	1	
2	R503478	101260, 503028, 503478, 549504	Bedknife - Thin .125-.219 HOC	1	
2	R503477	101261, 503027, 503477, 549397	Bedknife - Thick .156-.438 HOC	1	
R&R Razor Tool Steel Bedknives, Lifetime Guaranteed					
2	R101520		Bedknife - Razor Tool Steel - 22 Micro Cut	1	
2	R101521		Bedknife - Razor Tool Steel - 22 Tournament Cut	1	
Service Tools					
3	R101272T		Bedknife Screw Driver Tool	0	
<i>Tech Note: Easily install and remove bed knife screws with the help of a ratchet. Tool manufactured with hardened alloy steel.:</i>					
Other Parts Available					
10	R220278	121856, 220278, 5000415	Backing Bar - Cast	1	
12	R365246	365246	Bolt - Shoulder w/Nyloc Patch	2	

All original equipment manufacturers names and part numbers are used for identification purposes only, and we are in no way implying that our products are original equipment parts. Prices subject to change without notice.



Replaces Jacobsen Eclipse 122F Parts

Floating Head Cutting Unit
Reel & Bedknife



Item No	R&R Part No.	OEM Part No.	Description	Qty Req	Order Quantity
13	R101272	101272, 3009138, 402578, 800813	Screw - Bedknife 1/4-20 x 1/2	13	
14	R302-5	302-5, 471214, 471223, 471226	Fitting - Grease	1	
15	R365009	3005692, 365009, 365170, 441674	Knob - Adjusting Roller	2	
16	R471219	366852, 471219	Zerk - Grease	2	
19	R343616	343616, 443102	Stud	2	
21	R412506	412503, 412506	Screw - Bed Bar Adjusting	4	
22	R5002577	5002577	Frame - Reel	1	
23	R445795	445795	Nut - 5/16-18 Flanged	8	
24	R315298	315298	Bolt - Bed Bar	2	
25	R400192	400192	Bolt - Hex HD 5/16-18 x 1-1/2	8	
26	R1002224	1002224	Bolt - Rear Roller 3/8-24	2	
<i>Tech Note: Incl Grease Zerk:</i>					
27	R170714	170714, 471240, 471242	Fitting - Pressure Relief	1	
28	R453009	3256-23, 452004, 452006, 452008, 453009	Washer - Flat 5/16 SAE	4	

All original equipment manufacturers names and part numbers are used for identification purposes only, and we are in no way implying that our products are original equipment parts. Prices subject to change without notice.



Replaces Jacobsen Eclipse 122F Parts

Floating Head Cutting Unit
Reel & Bedknife



Item No	R&R Part No.	OEM Part No.	Description	Qty Req	Order Quantity
29	R458013	458013	Ring - Retaining	1	
30	R500534	500534, R500534	Bearing - with Cup	1	
31	R336962	336962	Seal	1	
32	R1004756	1004756	Housing - Bearing Drive End	1	
<i>Tech Note: Includes: R336962 Seal, R170714 Fitting, R302-5 Zerk & R254-79 Cup:</i>					
33	R5002151	5002151	Hardware Kit - Spring/Washer	1	
<i>Tech Note: Includes 1 ea: R304745 Washer, R363047 Spring:</i>					
34	R304745	304745	Washer - Reel	1	
35	R364900	364900	Nut - Reel Tension	1	
36	R163398	163398, 163892	Seal - Spacer Assy	1	
37	R367164	367164	Spacer - Reel	1	
38	R453011	453011	Washer - Flat 3/8 SAE Y/Zinc	1	
39	R3254-6	3254-6, 446140, 446142	Washer - Lock 3/8	1	
40	R400294	400294	Screw - 3/8 24 x 3/4 Hex C/Zinc	1	
41	R153979	153979, 3008439	Bracket - Front Roller	1	
42	R441674	441674	Screw - 5/16-18 x 1-3/4 Carriage	2	
43	R352737	352737	Screw - Set 1/4 x 7/8 Sq Head	2	
44	R461256	461256	Pin - 1/4 x 1	1	

All original equipment manufacturers names and part numbers are used for identification purposes only, and we are in no way implying that our products are original equipment parts. Prices subject to change without notice.



Replaces Jacobsen Eclipse 122F Parts

Floating Head Cutting Unit
Reel & Bedknife



Item No	R&R Part No.	OEM Part No.	Description	Qty Req	Order Quantity
45	R164144	1000480, 163397, 164144, 2000060	Housing - Reel Bearing	1	
<i>Tech Note: Includes R336962 Seal, R302-5 Zerk, R170714 Relief Fitting & R254-79 Cup:</i>					
48	R153980	153980, 3008438	Bracket - Front Roller	1	
49	R443102	443102	Nut - 1/4-20 Yellow Zinc	4	
50	R400184	400184, 400194	Screw - 5/16-18 x 3/4 Hex	2	
51	R1000997	1000997	Decal - Warning	1	
52	R254-78	254-78, 385174, 4121174, 4135152	Tapered Bearing Cone	2	
53	R254-79	254-79, 4121175	Cup - Bearing	2	

Tech Note: Use R254-79M installation mandrel to properly install race.:

All original equipment manufacturers names and part numbers are used for identification purposes only, and we are in no way implying that our products are original equipment parts. Prices subject to change without notice.