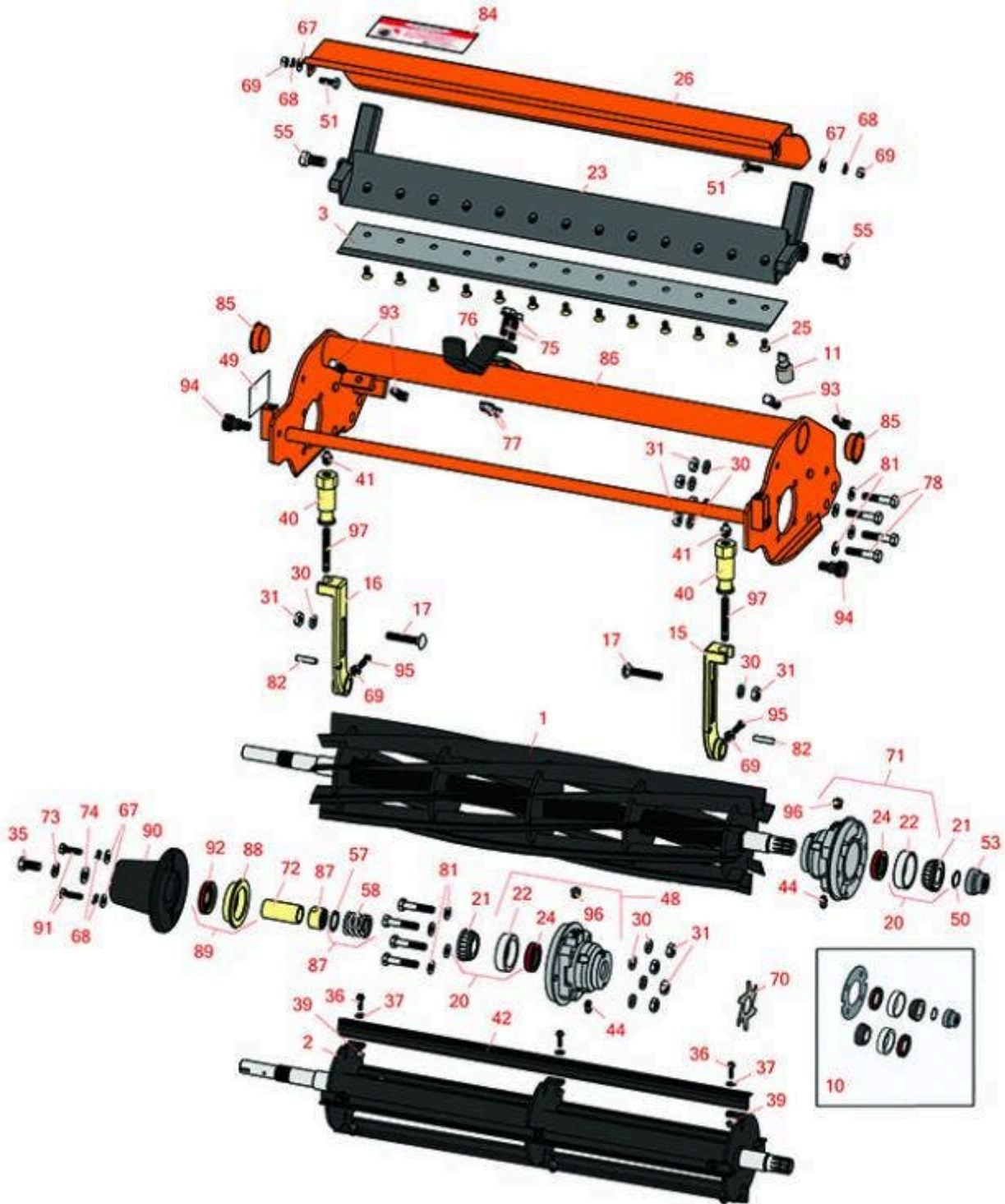




Replaces Jacobsen E-Plex Parts

Cutting Unit
Reel & Bedknife



All original equipment manufacturers names and part numbers are used for identification purposes only, and we are in no way implying that our products are original equipment parts. Prices subject to change without notice.



Replaces Jacobsen E-Plex Parts

Cutting Unit
Reel & Bedknife



| Item No | R&R Part No. | OEM Part No. | Description | Qty Req | Order Quantity |
|---------|--------------|--------------|-------------|---------|----------------|
|---------|--------------|--------------|-------------|---------|----------------|

R&R Reels, Lifetime Guaranteed

| | | | | | |
|---|----------------|--------------------------------|-----------------------------|---|--|
| 1 | R503319 | 5001095, 5003053, 503319 | Reel - 7 Blade LH | 1 | |
| 1 | R503375 | 5001099, 503375 | Reel - 9 Blade LH | 1 | |
| 1 | R506636 | 5000028, 5001101, 506636 | Reel - 11 Blade LH | 1 | |
| 1 | R506635 | 5000029, 5001102 | Reel - 11 Blade RH | 1 | |
| 2 | R101491 | | Brush Reel - LH Keyed Shaft | 1 | |

R&R Bedknives, Lifetime Guaranteed

| | | | | | |
|---|-----------------|---|-------------------------------------|---|--|
| 3 | R5002887 | 5002887 | Bedknife - Micro Cut - .082-.109 | 1 | |
| 3 | R4234900 | 5000927 | Bedknife - Tournament .063-.110 | 1 | |
| 3 | R503479 | 503029, 503479 | Bedknife - Tournament .094-.156 HOC | 1 | |
| 3 | R503478 | 101260, 503028, 503478, 549504 | Bedknife - Thin .125-.219 HOC | 1 | |
| 3 | R503477 | 101261, 503027, 503477, 549397 | Bedknife - Thick .156-.438 HOC | 1 | |
| 3 | R101262 | | Bedknife - Super Thick 5/16 | 1 | |
| 3 | R503460 | 503257, 503460 | Bedknife - 22 in 13 Hole | 1 | |
| 3 | R5002771 | 5002771 | Bedknife - Low Cut | 1 | |

R&R Razor Tool Steel Bedknives, Lifetime Guaranteed

All original equipment manufacturers names and part numbers are used for identification purposes only, and we are in no way implying that our products are original equipment parts. Prices subject to change without notice.



Replaces Jacobsen E-Plex Parts

Cutting Unit
Reel & Bedknife



| Item No | R&R Part No. | OEM Part No. | Description | Qty Req | Order Quantity |
|---------|--------------|--------------|-------------|---------|----------------|
|---------|--------------|--------------|-------------|---------|----------------|

| | | | | | |
|---|---------|--|--|---|--|
| 3 | R101520 | | Bedknife - Razor Tool Steel - 22 Micro Cut | 1 | |
|---|---------|--|--|---|--|

| | | | | | |
|---|---------|--|---|---|--|
| 3 | R101521 | | Bedknife - Razor Tool Steel - 22 Tournament Cut | 1 | |
|---|---------|--|---|---|--|

Overhaul Kits & Service Tools

| | | | | | |
|----|---------|--|-----------------------------|---|--|
| 10 | R100125 | | Overhaul Kit - Cutting Unit | 0 | |
|----|---------|--|-----------------------------|---|--|

Tech Note: Includes 2 ea.: R336962 Seals, R254-78 Bearings, R254-79 Cups; 1 ea.:R337677 Seal, R458013 Ring, R364901Gasket, R337370 Coupling:

| | | | | | |
|----|----------|--|----------------------------|---|--|
| 11 | R101272T | | Bedknife Screw Driver Tool | 0 | |
|----|----------|--|----------------------------|---|--|

Tech Note: Easily install and remove bed knife screws with the help of a ratchet. Tool manufactured with hardened alloy steel.:

Other Parts Available

| | | | | | |
|----|---------|--------------------|------------------------|---|--|
| 15 | R153979 | 153979, 3008439 | Bracket - Front Roller | 1 | |
|----|---------|--------------------|------------------------|---|--|

| | | | | | |
|----|---------|--------|-------------------------------------|---|--|
| 15 | R163231 | 163231 | Bracket - Extra Long - Front Roller | 1 | |
|----|---------|--------|-------------------------------------|---|--|

| | | | | | |
|----|---------|--------------------|------------------------|---|--|
| 16 | R153980 | 153980, 3008438 | Bracket - Front Roller | 1 | |
|----|---------|--------------------|------------------------|---|--|

| | | | | | |
|----|---------|--------|-------------------------------------|---|--|
| 16 | R163232 | 163232 | Bracket - Extra Long - Front Roller | 1 | |
|----|---------|--------|-------------------------------------|---|--|

| | | | | | |
|----|---------|--------|----------------------------------|---|--|
| 17 | R441674 | 441674 | Screw - 5/16-18 x 1-3/4 Carriage | 2 | |
|----|---------|--------|----------------------------------|---|--|

| | | | | | |
|----|---------|--------------------|--------------------|---|--|
| 20 | R500534 | 500534, R500534 | Bearing - with Cup | 2 | |
|----|---------|--------------------|--------------------|---|--|

| | | | | | |
|----|---------|---|----------------------|---|--|
| 21 | R254-78 | 254-78, 385174, 4121174, 4135152 | Tapered Bearing Cone | 2 | |
|----|---------|---|----------------------|---|--|

| | | | | | |
|----|---------|--------------------|---------------|---|--|
| 22 | R254-79 | 254-79, 4121175 | Cup - Bearing | 2 | |
|----|---------|--------------------|---------------|---|--|

Tech Note: Use R254-79M installation mandrel to properly install race.:

All original equipment manufacturers names and part numbers are used for identification purposes only, and we are in no way implying that our products are original equipment parts. Prices subject to change without notice.



Replaces Jacobsen E-Plex Parts

Cutting Unit
Reel & Bedknife



| Item No | R&R Part No. | OEM Part No. | Description | Qty Req | Order Quantity |
|---------|----------------|--|---------------------------------|---------|----------------|
| 23 | R220278 | 121856, 220278, 5000415 | Backing Bar - Cast | 1 | |
| 24 | R336962 | 336962 | Seal | 2 | |
| 25 | R101272 | 101272, 3009138, 402578, 800813 | Screw - Bedknife 1/4-20 x 1/2 | 13 | |
| 26 | R390950 | 126724, 2810043, 390950 | Shield - Grass | 1 | |
| 30 | R446136 | 446134, 446136 | Washer - Lock 5/16 Zinc | 8 | |
| 31 | R443106 | 443106 | Nut - 5/16-18 Y/Zinc Plated | 8 | |
| 35 | R400294 | 400294 | Screw - 3/8 24 x 3/4 Hex C/Zinc | 1 | |
| 36 | R150425 | 150425 | Bolt - Hex HD 8-32 x 5/8 | 12 | |
| 37 | R150426 | 150426 | Washer - 8 SAE | 12 | |
| 39 | R3296-9 | | Locknut - Comb | 12 | |
| 40 | R365009 | 3005692, 365009, 365170, 441674 | Knob - Adjusting Roller | 2 | |
| 41 | R471219 | 366852, 471219 | Zerk - Grease | 2 | |
| 42 | R150481 | 150481 | Brush Assy - Brush Reel | 4 | |
| 44 | R302-5 | 302-5, 471214, 471223, 471226 | Fitting - Grease | 2 | |

All original equipment manufacturers names and part numbers are used for identification purposes only, and we are in no way implying that our products are original equipment parts. Prices subject to change without notice.



Replaces Jacobsen E-Plex Parts

Cutting Unit
Reel & Bedknife



| Item No | R&R Part No. | OEM Part No. | Description | Qty Req | Order Quantity |
|---|-----------------|---|-------------------------------------|---------|----------------|
| 48 | R164144 | 1000480, 163397, 164144, 2000060 | Housing - Reel Bearing | 1 | |
| <i>Tech Note: Includes R336962 Seal, R302-5 Zerk, R170714 Relief Fitting & R254-79 Cup:</i> | | | | | |
| 49 | R1000997 | 1000997 | Decal - Warning | 2 | |
| 50 | R458013 | 458013 | Ring - Retaining | 1 | |
| 51 | R321-4 | 321-4, 400108 | Bolt - Hex HD 1/4-20 x 3/4 | 2 | |
| 53 | R4247911 | 162567, 337370, 4247911 | Coupling - Hyd Motor - Glass Filled | 1 | |
| 53 | R3001720 | 3001720 | Coupler - Iron - Hyd Motor | 1 | |
| 55 | R315298 | 315298 | Bolt - Bed Bar | 2 | |
| 57 | R304745 | 304745 | Washer - Reel | 1 | |
| 58 | R363047 | 348846, 363047 | Spring - Reel | 1 | |
| 67 | R453023 | 453023 | Washer - Flat 1/4 | 2 | |
| 68 | R3253-3 | 3253-3, 446128, 446130 | Washer - Lock 1/4 | 2 | |
| 69 | R443102 | 443102 | Nut - 1/4-20 Yellow Zinc | 2 | |
| 70 | R365230 | 365230 | Verti-Cut Blade - 2-1/2 Dia. | 85 | |
| 71 | R1004756 | 1004756 | Housing - Bearing Drive End | 1 | |
| <i>Tech Note: Includes: R336962 Seal, R170714 Fitting, R302-5 Zerk & R254-79 Cup:</i> | | | | | |
| 72 | R367164 | 367164 | Spacer - Reel | 1 | |

All original equipment manufacturers names and part numbers are used for identification purposes only, and we are in no way implying that our products are original equipment parts. Prices subject to change without notice.



Replaces Jacobsen E-Plex Parts

Cutting Unit
Reel & Bedknife



| Item No | R&R Part No. | OEM Part No. | Description | Qty Req | Order Quantity |
|--|-----------------|---|-------------------------------|---------|----------------|
| 73 | R3254-6 | 3254-6, 446140, 446142 | Washer - Lock 3/8 | 2 | |
| 74 | R453011 | 453011 | Washer - Flat 3/8 SAE Y/Zinc | 1 | |
| 75 | R403751 | 403751 | Bolt - Serrated Washer HD | 2 | |
| 76 | R3010293 | 3010293 | Stop - Mower | 1 | |
| 77 | R445722 | 445722 | Nut - Serrated Washer | 2 | |
| 78 | R400192 | 400192 | Bolt - Hex HD 5/16-18 x 1-1/2 | 8 | |
| 81 | R453009 | 3256-23, 452004, 452006, 452008, 453009 | Washer - Flat 5/16 SAE | 8 | |
| 82 | R461256 | 461256 | Pin - 1/4 x 1 | 2 | |
| 84 | R354083 | 354083, 361877, 4127335 | Decal - Danger | 2 | |
| 85 | R285-14 | | Plug - Pipe Frame | 2 | |
| 86 | R122685 | 119245, 122685, 503325 | Frame | 1 | |
| 86 | R5003654 | 5003654 | Frame - Assy | 1 | |
| 87 | R364900 | 364900 | Nut - Reel Tension | 1 | |
| 87 | R5002151 | 5002151 | Hardware Kit - Spring/Washer | 1 | |
| <i>Tech Note: Includes 1 ea: R304745 Washer, R363047 Spring:</i> | | | | | |
| 88 | R363814 | 163892, 363814 | Spacer - Seal | 1 | |
| 89 | R163398 | 163398, 163892 | Seal - Spacer Assy | 1 | |

All original equipment manufacturers names and part numbers are used for identification purposes only, and we are in no way implying that our products are original equipment parts. Prices subject to change without notice.



Replaces Jacobsen E-Plex Parts

*Cutting Unit
Reel & Bedknife*



| Item No | R&R Part No. | OEM Part No. | Description | Qty Req | Order Quantity |
|---------|-----------------|------------------------------|-------------------------------|---------|----------------|
| 90 | R2000065 | 2000065 | Weight - Counter | 1 | |
| 91 | R321-5 | 321-5, 400110 | Bolt - Hex HD 1/4-20 x 7/8 | 2 | |
| 92 | R337677 | 315257, 337677 | Seal - Oil | 1 | |
| 93 | R412506 | 412503, 412506 | Screw - Bed Bar Adjusting | 4 | |
| 94 | R365246 | 365246 | Bolt - Shoulder w/Nyloc Patch | 2 | |
| 95 | R352737 | 352737 | Screw - Set 1/4 x 7/8 Sq Head | 2 | |
| 96 | R170714 | 170714, 471240, 471242 | Fitting - Pressure Relief | 2 | |
| 97 | R343616 | 343616, 443102 | Stud | 2 | |

All original equipment manufacturers names and part numbers are used for identification purposes only, and we are in no way implying that our products are original equipment parts. Prices subject to change without notice.