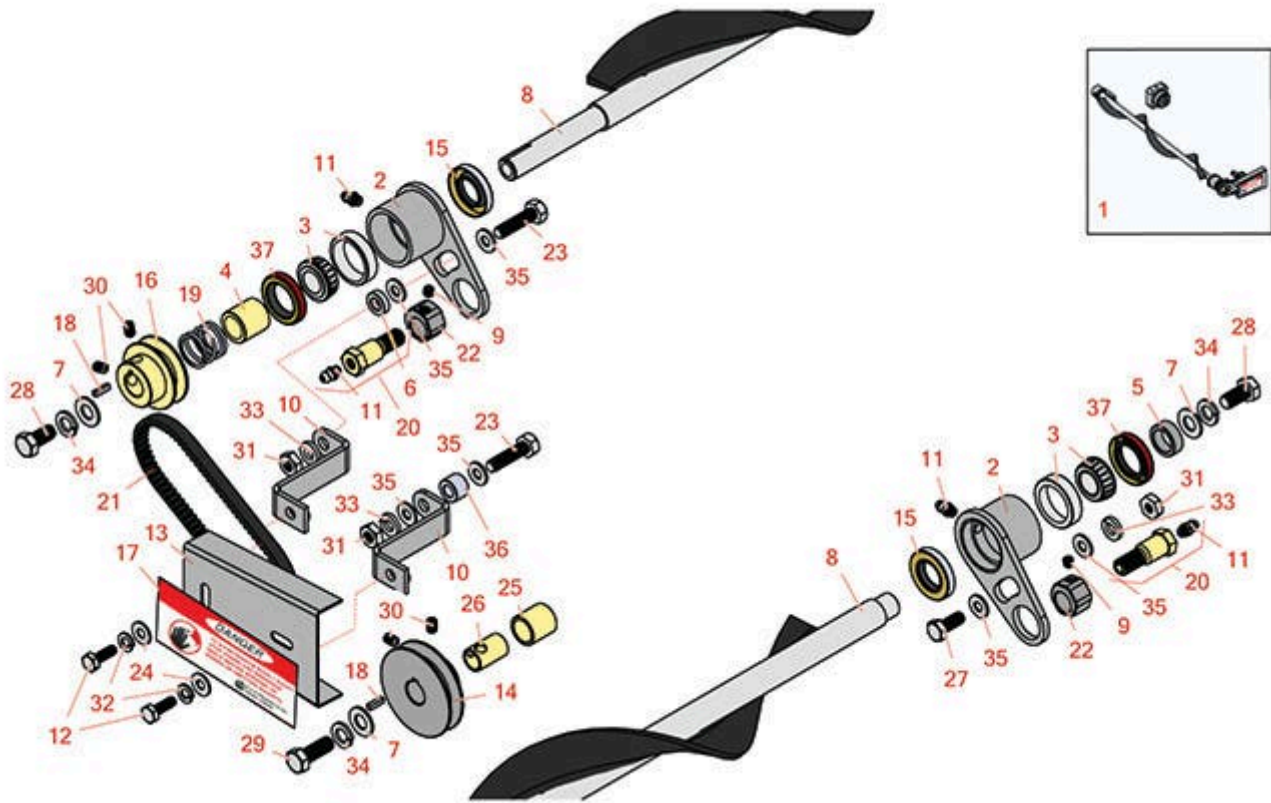




# Replaces Jacobsen Greens King V & VI

## Parts

Cutting Unit  
Rear Spiral Brush



All original equipment manufacturers names and part numbers are used for identification purposes only, and we are in no way implying that our products are original equipment parts. Prices subject to change without notice.



# Replaces Jacobsen Greens King V & VI

## Parts

Cutting Unit  
Rear Spiral Brush



Item No	R&R Part No.	OEM Part No.	Description	Qty Req	Order Quantity
---------	--------------	--------------	-------------	---------	----------------

### Complete Rear Roller Spiral Brush Kit

1	<b>R101340</b>	101340	Kit - Rear Roller Spiral Brush	1	
---	----------------	--------	--------------------------------	---	--

*Tech Note: Includes all parts for one unit with R162558 or R239055 bearing housings with 1/2" or 5/8" reel shafts.:*

### Other Parts Available

2	<b>R101248</b>		Housing - Bearing Spiral Brush	2	
3	<b>R503392</b>	503392	Tapered Bearing Set - Cup and Cone	2	
4	<b>R365294</b>	365294	Spacer - 1-1/8 Long	1	
5	<b>R101347</b>		Spacer - 5/16	1	
6	<b>R101348</b>		Spacer - 3/16	1	
7	<b>R453011</b>	453011	Washer - Flat 3/8 SAE Y/Zinc	3	
8	<b>R132216</b>	132216, 5002463	Brush - Spiral w/Shaft	1	
9	<b>R150690</b>	150690, 415509	Screw - Set 1/4-20 x 1/4	2	
10	<b>R163770</b>	163770	Brace - Spiral Brush Shield	2	
11	<b>R302-5</b>	302-5, 471214, 471223, 471226	Fitting - Grease	4	
12	<b>R321-4</b>	321-4, 400108	Bolt - Hex HD 1/4-20 x 3/4	2	
13	<b>R338348</b>	338348	Shield - Belt Fits Sp Brush Kit	1	
14	<b>R338758</b>	338758	Pulley - 5/8 Reel Shaft End	1	
15	<b>R338763</b>	338763	Seal	2	
16	<b>R340836</b>	340836	Pulley - Spiral Brush Shaft	1	

All original equipment manufacturers names and part numbers are used for identification purposes only, and we are in no way implying that our products are original equipment parts. Prices subject to change without notice.



# Replaces Jacobsen Greens King V & VI

## Parts

*Cutting Unit  
Rear Spiral Brush*



Item No	R&R Part No.	OEM Part No.	Description	Qty Req	Order Quantity
17	<b>R354083</b>	354083, 361877, 4127335	Decal - Danger	1	
18	<b>R363016</b>	363016	Key - 1/8 x 1/8 x 1/2	2	
19	<b>R363818</b>	363818	Spring - Fits Sprial Brush	1	
20	<b>R364118</b>	364118	Bolt - Roller Mount - 7/16-20	2	
20	<b>R364118S</b>		Bolt - Roller Mount - 3/8-24	2	
21	<b>R840958</b>	364120, 840958	Belt - Spiral Brush	1	
22	<b>R364121</b>	364121	Nut - Eccentric Adjusting	2	
23	<b>R364171</b>	364171	Bolt - Flanged Hex 5/16-18 x 1-1/4	2	
24	<b>R453023</b>	453023	Washer - Flat 1/4	2	
25	<b>R365295</b>	365295	Spacer - .840 Long	1	
26	<b>R365302</b>	365302	Spacer - Sprial Brush Pulley	1	
27	<b>R400184</b>	400184, 400194	Screw - 5/16-18 x 3/4 Hex	1	
28	<b>R400258</b>	400258	Bolt - Hex HD 3/8-16 x 3/4	2	
29	<b>R400298</b>	400298	Bolt - Hex HD 3/8-24 x 1	1	
30	<b>R415521</b>	415521, 415522	Screw - Set - 5/16-18 x 3/8	2	
31	<b>R443106</b>	443106	Nut - 5/16-18 Y/Zinc Plated	3	
32	<b>R3253-3</b>	3253-3, 446128, 446130	Washer - Lock 1/4	2	
33	<b>R446136</b>	446134, 446136	Washer - Lock 5/16 Zinc	3	

All original equipment manufacturers names and part numbers are used for identification purposes only, and we are in no way implying that our products are original equipment parts. Prices subject to change without notice.



# Replaces Jacobsen Greens King V & VI

## Parts

*Cutting Unit  
Rear Spiral Brush*



Item No	R&R Part No.	OEM Part No.	Description	Qty Req	Order Quantity
34	<b>R3254-6</b>	3254-6, 446140, 446142	Washer - Lock 3/8	3	
35	<b>R453009</b>	3256-23, 452004, 452006, 452008, 453009	Washer - Flat 5/16 SAE	6	
36	<b>R101349</b>		Spacer - 7/16	1	
<i>Tech Note: Use with Round Bearing Housing Only (5/8" Dia. Reel Shaft):</i>					
37	<b>R101247</b>		Seal	2	

All original equipment manufacturers names and part numbers are used for identification purposes only, and we are in no way implying that our products are original equipment parts. Prices subject to change without notice.