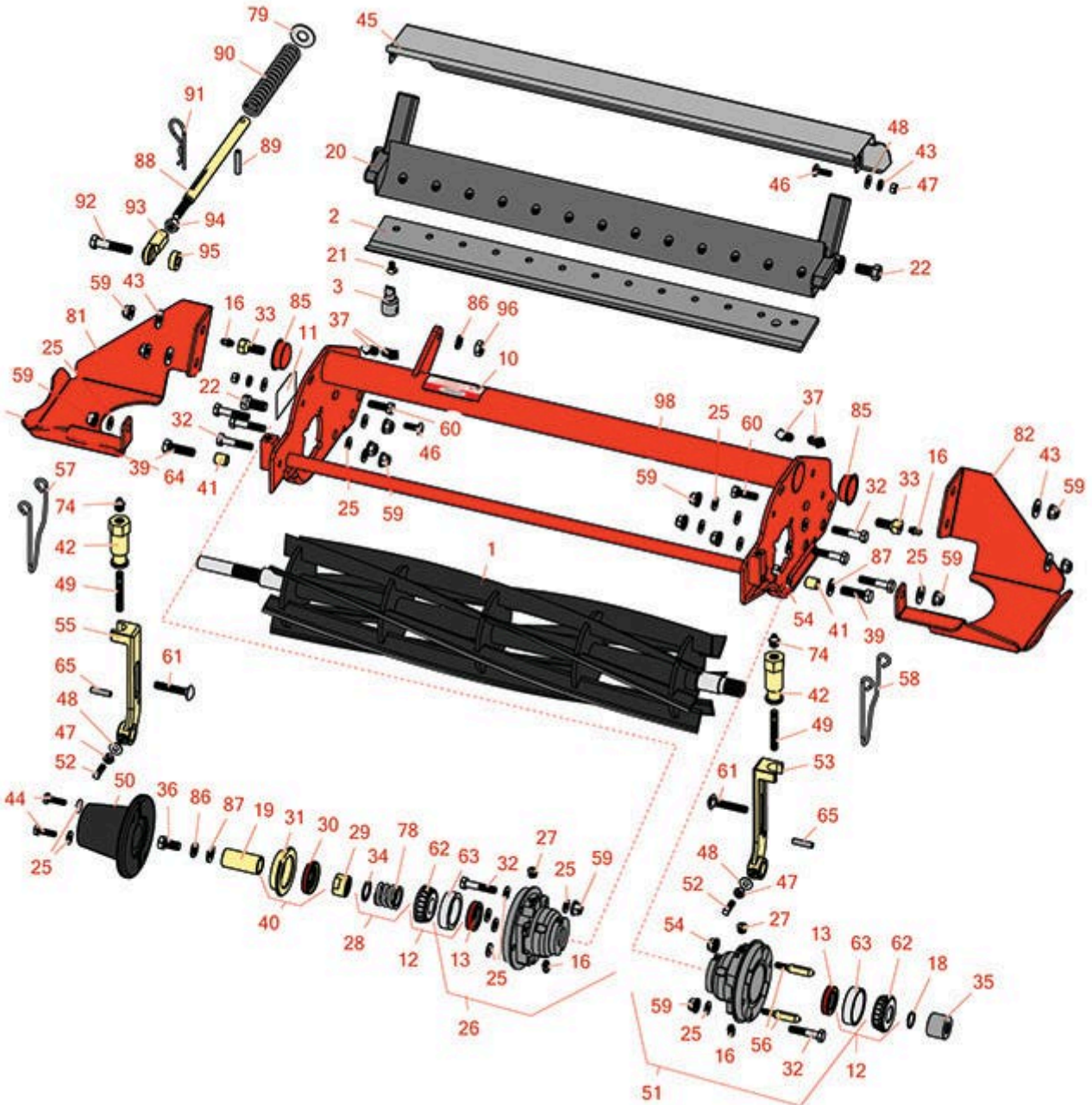




# Replaces Jacobsen LF-3407 Parts

5" Cutting Unit  
Reel & Bedknife



All original equipment manufacturers names and part numbers are used for identification purposes only, and we are in no way implying that our products are original equipment parts. Prices subject to change without notice.



# Replaces Jacobsen LF-3407 Parts

5" Cutting Unit  
Reel & Bedknife



Item No	R&R Part No.	OEM Part No.	Description	Qty Req	Order Quantity
---------	--------------	--------------	-------------	---------	----------------

### R&R Reels, Lifetime Guaranteed

1	<b>R503319</b>	5001095, 5003053, 503319	Reel - 7 Blade LH	1	
1	<b>R503320</b>	5001096, 5003054, 5003064, 503320	Reel - 7 Blade RH	1	

### R&R Bedknives, Lifetime Guaranteed

2	<b>R5003150</b>	5003150	Bedknife - Low Cut	1	
2	<b>R503460</b>	503257, 503460	Bedknife - 22 in 13 Hole	1	

### R&R Razor Tool Steel Bedknives, Lifetime Guaranteed

2	<b>R101523</b>		Bedknife - Razor Tool Steel - 22 High Cut	1	
---	----------------	--	---	---	--

### Service Tools

3	<b>R101272T</b>		Bedknife Screw Driver Tool	0	
---	-----------------	--	----------------------------	---	--

*Tech Note: Easily install and remove bed knife screws with the help of a ratchet. Tool manufactured with hardened alloy steel.:*

### Other Parts Available

10	<b>R354083</b>	354083, 361877, 4127335	Decal - Danger	2	
11	<b>R1000997</b>	1000997	Decal - Warning	1	
12	<b>R500534</b>	500534, R500534	Bearing - with Cup	2	
13	<b>R336962</b>	336962	Seal	2	

All original equipment manufacturers names and part numbers are used for identification purposes only, and we are in no way implying that our products are original equipment parts. Prices subject to change without notice.



# Replaces Jacobsen LF-3407 Parts

5" Cutting Unit  
Reel & Bedknife



Item No	R&R Part No.	OEM Part No.	Description	Qty Req	Order Quantity
16	<b>R302-5</b>	302-5, 471214, 471223, 471226	Fitting - Grease	2	
18	<b>R458013</b>	458013	Ring - Retaining	1	
19	<b>R367164</b>	367164	Spacer - Reel	1	
20	<b>R220278</b>	121856, 220278, 5000415	Backing Bar - Cast	1	
20	<b>R2000068</b>	2000068	Bed Bar	1	
21	<b>R101272</b>	101272, 3009138, 402578, 800813	Screw - Bedknife 1/4-20 x 1/2	13	
22	<b>R315298</b>	315298	Bolt - Bed Bar	2	
25	<b>R453009</b>	3256-23, 452004, 452006, 452008, 453009	Washer - Flat 5/16 SAE	1	
26	<b>R164144</b>	1000480, 163397, 164144, 2000060	Housing - Reel Bearing	1	
<i>Tech Note: Includes R336962 Seal, R302-5 Zerk, R170714 Relief Fitting &amp; R254-79 Cup:</i>					
27	<b>R170714</b>	170714, 471240, 471242	Fitting - Pressure Relief	1	
28	<b>R5002151</b>	5002151	Hardware Kit - Spring/Washer	1	
<i>Tech Note: Includes 1 ea: R304745 Washer, R363047 Spring:</i>					
29	<b>R364900</b>	364900	Nut - Reel Tension	1	

All original equipment manufacturers names and part numbers are used for identification purposes only, and we are in no way implying that our products are original equipment parts. Prices subject to change without notice.



# Replaces Jacobsen LF-3407 Parts

5" Cutting Unit  
Reel & Bedknife



Item No	R&R Part No.	OEM Part No.	Description	Qty Req	Order Quantity
30	<b>R337677</b>	315257, 337677	Seal - Oil	1	
31	<b>R363814</b>	163892, 363814	Spacer - Seal	1	
32	<b>R400192</b>	400192	Bolt - Hex HD 5/16-18 x 1-1/2	8	
33	<b>R1002224</b>	1002224	Bolt - Rear Roller 3/8-24	2	
<i>Tech Note: Incl Grease Zerk:</i>					
34	<b>R304745</b>	304745	Washer - Reel	1	
35	<b>R3001720</b>	3001720	Coupler - Iron - Hyd Motor	1	
36	<b>R400294</b>	400294	Screw - 3/8 24 x 3/4 Hex C/Zinc	1	
37	<b>R412506</b>	412503, 412506	Screw - Bed Bar Adjusting	4	
39	<b>R400264</b>	400264	Bolt - Hex HD 3/8-16 x 1-1/4	2	
40	<b>R163398</b>	163398, 163892	Seal - Spacer Assy	1	
41	<b>R345510</b>	345510	Spacer	2	
42	<b>R365009</b>	3005692, 365009, 365170, 441674	Knob - Adjusting Roller	2	
43	<b>R3253-3</b>	3253-3, 446128, 446130	Washer - Lock 1/4	4	
44	<b>R321-5</b>	321-5, 400110	Bolt - Hex HD 1/4-20 x 7/8	2	
45	<b>R2810043</b>	2810043	Shield - Grass	1	
46	<b>R403782</b>	400018, 403782	Screw - 1/4-20 x 3/4 Truss Head	2	

All original equipment manufacturers names and part numbers are used for identification purposes only, and we are in no way implying that our products are original equipment parts. Prices subject to change without notice.



# Replaces Jacobsen LF-3407 Parts

5" Cutting Unit  
Reel & Bedknife



Item No	R&R Part No.	OEM Part No.	Description	Qty Req	Order Quantity
47	<b>R443102</b>	443102	Nut - 1/4-20 Yellow Zinc	4	
48	<b>R453023</b>	453023	Washer - Flat 1/4	4	
49	<b>R343616</b>	343616, 443102	Stud	2	
50	<b>R2000065</b>	2000065	Weight - Counter	1	
51	<b>R1004786</b>	1004786	Housing - Bearing Quick Clip	1	
<i>Tech Note: Includes: R336962, R302-5, R254-79, R3010296, R32152-4 &amp; R170714:</i>					
52	<b>R352737</b>	352737	Screw - Set 1/4 x 7/8 Sq Head	2	
53	<b>R153980</b>	153980, 3008438	Bracket - Front Roller	1	
54	<b>R32152-4</b>	32152-4, 444708	Locknut - 1/4-20 All Metal	2	
55	<b>R153979</b>	153979, 3008439	Bracket - Front Roller	1	
56	<b>R3010296</b>	3010296	Pin - Motor Mounting	2	
57	<b>R2810165</b>	2810165, 2810166, 3010236, 3010636	Clip - Spring Motor	1	
58	<b>R2810166</b>	2810166, 3010637	Clip - Spring Motor	1	
59	<b>R445795</b>	445795	Nut - 5/16-18 Flanged	4	
60	<b>R322-5</b>	400188	Bolt - Hex HD 5/16-18 x 1	2	
61	<b>R441674</b>	441674	Screw - 5/16-18 x 1-3/4 Carriage	2	
62	<b>R254-78</b>	254-78, 385174, 4121174, 4135152	Tapered Bearing Cone	2	

All original equipment manufacturers names and part numbers are used for identification purposes only, and we are in no way implying that our products are original equipment parts. Prices subject to change without notice.



# Replaces Jacobsen LF-3407 Parts

5" Cutting Unit  
Reel & Bedknife



Item No	R&R Part No.	OEM Part No.	Description	Qty Req	Order Quantity
63	<b>R254-79</b>	254-79, 4121175	Cup - Bearing	2	
<i>Tech Note: Use R254-79M installation mandrel to properly install race.:</i>					
65	<b>R461256</b>	461256	Pin - 1/4 x 1	2	
74	<b>R471219</b>	366852, 471219	Zerk - Grease	2	
78	<b>R363047</b>	348846, 363047	Spring - Reel	1	
79	<b>R453017</b>	452012, 453017	Washer - Flat 1/2	1	
81	<b>R3008200</b>	3008200	Skid - Motor RH Front Reel	1	
82	<b>R3008199</b>	3008199	Skid - Motor LH Front Reel	1	
85	<b>R285-14</b>		Plug - Pipe Frame	2	
86	<b>R3254-6</b>	3254-6, 446140, 446142	Washer - Lock 3/8	2	
87	<b>R453011</b>	453011	Washer - Flat 3/8 SAE Y/Zinc	2	
88	<b>R3008593</b>	3008593	Shaft - Down Pressure	1	
89	<b>R461397</b>	461397	Pin - Roll 1/4 x 1-1/4	1	
90	<b>R311870</b>	311870	Spring - Compression	1	
91	<b>R460312</b>	460312	Pin - Hair Cotter	1	
92	<b>R400266</b>	400266	Bolt - Hex HD 3/8-16 x 1-1/2	1	
92	<b>R400268</b>	400268	Bolt - Hex HD 3/8-16 x 1-3/4	1	
93	<b>R366974</b>	366974	Bearing - Rod End	1	
94	<b>R3219-3</b>	3219-3, 443112, 443812	Nut - 3/8-24	1	

All original equipment manufacturers names and part numbers are used for identification purposes only, and we are in no way implying that our products are original equipment parts. Prices subject to change without notice.



# Replaces Jacobsen LF-3407 Parts

5" Cutting Unit  
Reel & Bedknife



Item No	R&R Part No.	OEM Part No.	Description	Qty Req	Order Quantity
95	<b>R352435</b>	352435	Spacer	1	
96	<b>R443110</b>	306562, 443110, 444762	Nut - 3/8-16 Hex	1	
98	<b>R5003087</b>	5003087	Frame - 5 Reel	1	

All original equipment manufacturers names and part numbers are used for identification purposes only, and we are in no way implying that our products are original equipment parts. Prices subject to change without notice.