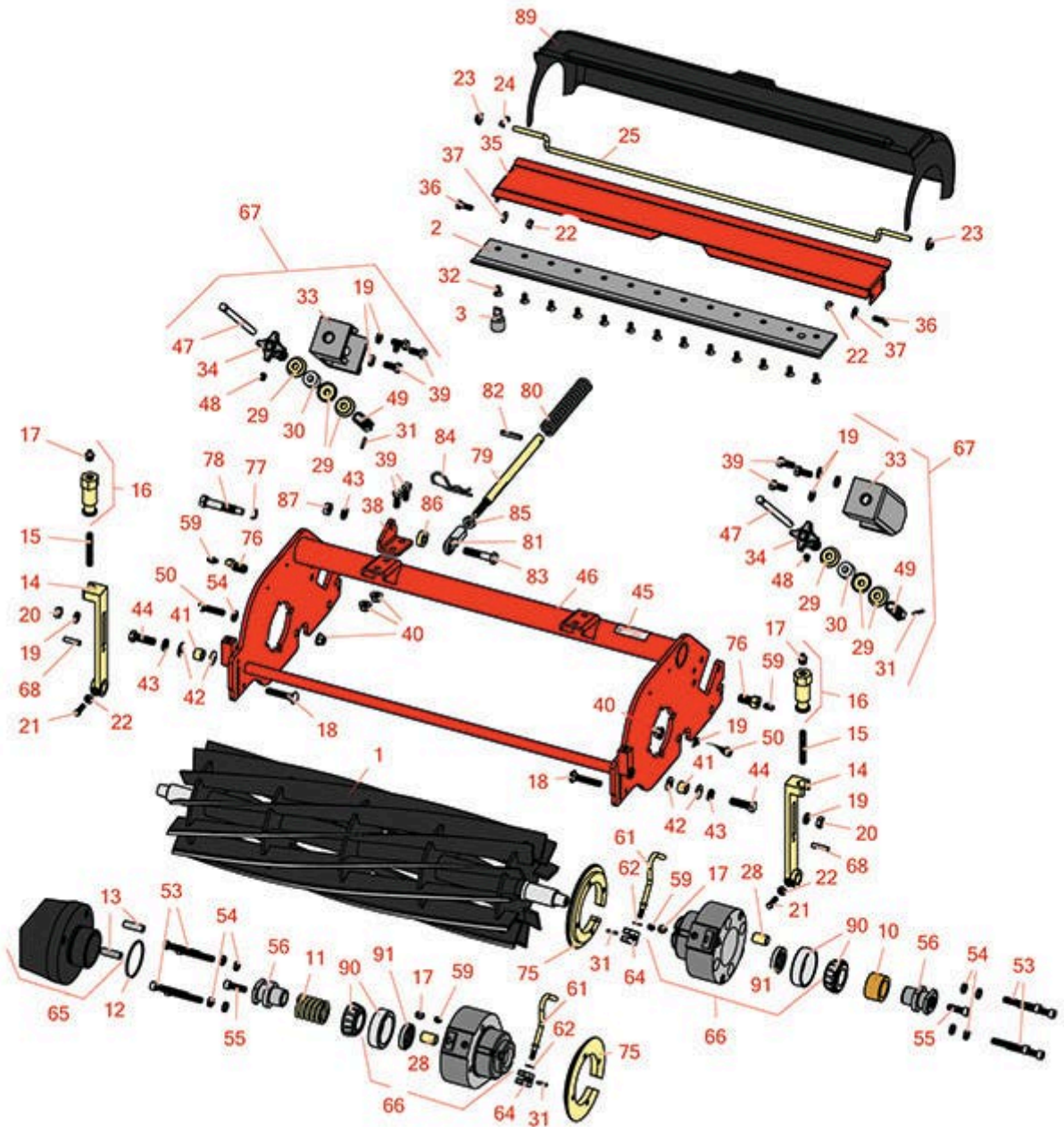




Replaces Jacobsen LF-3407 Parts

7" Cutting Unit
Reel & Bedknife



All original equipment manufacturers names and part numbers are used for identification purposes only, and we are in no way implying that our products are original equipment parts. Prices subject to change without notice.



Replaces Jacobsen LF-3407 Parts

7" Cutting Unit
Reel & Bedknife



Item No	R&R Part No.	OEM Part No.	Description	Qty Req	Order Quantity
---------	--------------	--------------	-------------	---------	----------------

R&R Reels, Lifetime Guaranteed

1	R2810471	2810471	Reel - 9 Blade	1	
1	R5002762	2810472, 5002762	Reel - 11 Blade	1	

R&R Bedknives, Lifetime Guaranteed

2	R503460	503257, 503460	Bedknife - 22 in 13 Hole	1	
---	---------	-------------------	--------------------------	---	--

R&R Razor Tool Steel Bedknives, Lifetime Guaranteed

2	R101523		Bedknife - Razor Tool Steel - 22 High Cut	1	
---	---------	--	---	---	--

Service Tools

3	R101272T		Bedknife Screw Driver Tool	0	
---	----------	--	----------------------------	---	--

Tech Note: Easily install and remove bed knife screws with the help of a ratchet. Tool manufactured with hardened alloy steel.:

Other Parts Available

10	R3004800	3004800	Spacer - Hardened Reel	1	
11	R3004734	3004734	Spring - Compression	1	
12	R3006021	3006021	O-Ring	1	
13	R3006022	3006022	Pin - Hardened Counter Balance	2	
14	R3004738	3004738	Adjuster - Front Roller	2	
15	R343616	343616, 443102	Stud	2	
16	R365009	3005692, 365009, 365170, 441674	Knob - Adjusting Roller	2	

All original equipment manufacturers names and part numbers are used for identification purposes only, and we are in no way implying that our products are original equipment parts. Prices subject to change without notice.



Replaces Jacobsen LF-3407 Parts

7" Cutting Unit
Reel & Bedknife



Item No	R&R Part No.	OEM Part No.	Description	Qty Req	Order Quantity
17	R170714	170714, 471240, 471242	Fitting - Pressure Relief	4	
18	R441674	441674	Screw - 5/16-18 x 1-3/4 Carriage	2	
19	R446136	446134, 446136	Washer - Lock 5/16 Zinc	2	
20	R443106	443106	Nut - 5/16-18 Y/Zinc Plated	2	
21	R352737	352737	Screw - Set 1/4 x 7/8 Sq Head	2	
22	R443102	443102	Nut - 1/4-20 Yellow Zinc	4	
23	R445525	445525	Nut - 1/4 Pal	2	
24	R3009281	3009281	Spring - Torsion 22 Roller	1	
24	R3005267	3005267	Spring - Torsion 24 Roller	1	
25	R3009280	3009280	Scraper - 22 Rear Roller (Rod)	1	
25	R3005316	3005316	Scraper - 24 Rear Roller (Rod)	1	
28	R545940	2500759, 545940	Bushing	2	
29	R3009892	3009075, 3009892	Spacer - Cup	6	
30	R3010470	3008946, 3010470	Spring - Urethane	1	
31	R012419	461357, 461359	Pin - Roll 1/8 x 3/4	2	
32	R101272	101272, 3009138, 402578, 800813	Screw - Bedknife 1/4-20 x 1/2	13	
33	R3004795	3004795	Housing - Bed Knife Adj	1	

All original equipment manufacturers names and part numbers are used for identification purposes only, and we are in no way implying that our products are original equipment parts. Prices subject to change without notice.



Replaces Jacobsen LF-3407 Parts

7" Cutting Unit
Reel & Bedknife



Item No	R&R Part No.	OEM Part No.	Description	Qty Req	Order Quantity
34	R2000125	2000125, 2000215	Knob, Bedknife Adj.	2	
35	R3006248	3006248	Deflector	1	
36	R321-4	321-4, 400108	Bolt - Hex HD 1/4-20 x 3/4	2	
37	R453023	453023	Washer - Flat 1/4	2	
38	R3008601	3008601	Bracket - Spring Holddown	1	
39	R400184	400184, 400194	Screw - 5/16-18 x 3/4 Hex	2	
40	R445795	445795	Nut - 5/16-18 Flanged	2	
41	R3006290	3006290	Spacer - Hardened	2	
42	R453011	453011	Washer - Flat 3/8 SAE Y/Zinc	4	
43	R3254-6	3254-6, 446140, 446142	Washer - Lock 3/8	2	
44	R400264	400264	Bolt - Hex HD 3/8-16 x 1-1/4	2	
45	R354083	354083, 361877, 4127335	Decal - Danger	2	
46	R5002609	5002609	Frame	1	
47	R3010472	3004798, 3010472	Rod - Bedknife Adj	1	
48	R422511	422511	Screw - Set w/Nylon Plug	1	
49	R3010471	3004799, 3009894, 3010471	Bolt - Special	1	
50	R434036	434036	Screw - Soc HD 5/16-18 x 1-1/4	2	
53	R434049	434049	Bolt - Soc HD Cap 5/16-18 x 2	8	

All original equipment manufacturers names and part numbers are used for identification purposes only, and we are in no way implying that our products are original equipment parts. Prices subject to change without notice.



Replaces Jacobsen LF-3407 Parts

7" Cutting Unit
Reel & Bedknife



Item No	R&R Part No.	OEM Part No.	Description	Qty Req	Order Quantity
54	R362643	362643	Spacer - Brg Housing	8	
55	R434004	434003, 434004	Screw - Soc HD 5/16-18 x 1	2	
56	R4166860	3004737, 3010046, 4166860	Coupler	2	
59	R302-5	302-5, 471214, 471223, 471226	Fitting - Grease	2	
61	R3006028	3006028	Rod	2	
62	R455066	455066	Washer - M6 Flat	2	
64	R4130092	4130092	Block - Clamp	2	
65	R2000135	2000135	Casting - Weight - Counter Balance	1	
66	R1002811	1002811	Bearing Housing Assy	2	
67	R1002532	1002532	Adjusting Assy - Bedknife	2	
68	R461256	461256	Pin - 1/4 x 1	2	
75	R3005210	3005210	Ring - Retaining	2	
76	R345470	1002226, 345470	Bolt - Rear Roller 7/16-20	2	
<i>Tech Note: Incl. Grease Zerk:</i>					
77	R454017	454017	Shim - Bed Bar Bolt	2	
78	R347169	347169, 365501	Stud - Backing RH 2-5/16	2	
79	R3008593	3008593	Shaft - Down Pressure	1	
80	R311870	311870	Spring - Compression	1	
81	R366974	366974	Bearing - Rod End	1	

All original equipment manufacturers names and part numbers are used for identification purposes only, and we are in no way implying that our products are original equipment parts. Prices subject to change without notice.



Replaces Jacobsen LF-3407 Parts

7" Cutting Unit
Reel & Bedknife



Item No	R&R Part No.	OEM Part No.	Description	Qty Req	Order Quantity
82	R461397	461397	Pin - Roll 1/4 x 1-1/4	1	
83	R400266	400266	Bolt - Hex HD 3/8-16 x 1-1/2	1	
83	R400268	400268	Bolt - Hex HD 3/8-16 x 1-3/4	1	
84	R460312	460312	Pin - Hair Cotter	1	
85	R3219-3	3219-3, 443112, 443812	Nut - 3/8-24	1	
86	R352435	352435	Spacer	1	
87	R443110	306562, 443110, 444762	Nut - 3/8-16 Hex	1	
89	R3005209	3005209	Shield - Grass	1	
90	R5002477	5002477	Bearing - w/Cup	2	
91	R3006030	3006030	Seal	2	

All original equipment manufacturers names and part numbers are used for identification purposes only, and we are in no way implying that our products are original equipment parts. Prices subject to change without notice.