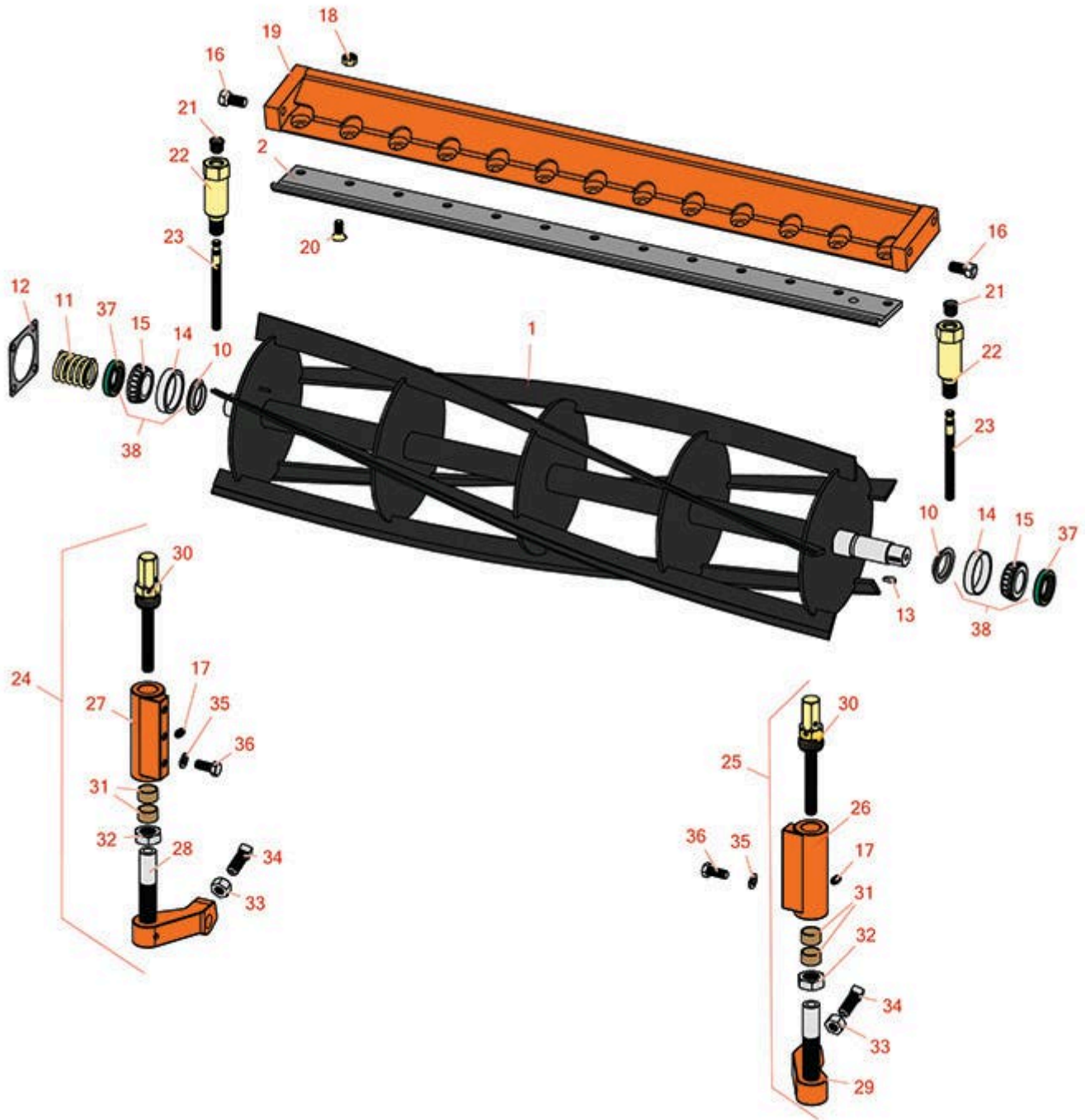




# Replaces Jacobsen ST-5111 Parts

Cutting Unit  
Reel & Bedknife



All original equipment manufacturers names and part numbers are used for identification purposes only, and we are in no way implying that our products are original equipment parts. Prices subject to change without notice.



# Replaces Jacobsen ST-5111 Parts

Cutting Unit  
Reel & Bedknife



Item No	R&R Part No.	OEM Part No.	Description	Qty Req	Order Quantity
<b>R&amp;R Reels, Lifetime Guaranteed</b>					
1	<b>R503522</b>	503522	Reel - 5 Blade RH 9 Dia	3	
1	<b>R503523</b>	503523	Reel - 5 Blade LH 9 Dia	2	
1	<b>R503524</b>	503524	Reel - 10 Blade RH 9 Dia	3	
1	<b>R503525</b>	503525	Reel - 10 Blade LH 9 Dia	2	
<b>R&amp;R Bedknives, Lifetime Guaranteed</b>					
2	<b>R503550</b>	331692, 503363, 503550	Bedknife - 30 in (13 Hole)	1	
<b>Other Parts Available</b>					
10	<b>R364275</b>	364275	Disc - Reel Shaft	2	
11	<b>R350671</b>	350671	Spring - Reel	1	
12	<b>R345473</b>	345473	Gasket - Reel Motor	1	
13	<b>R463017</b>	463017	Key - Woodruff	1	
14	<b>R254-72</b>	313456	Cup - Bearing	2	
15	<b>R254-94</b>	313089	Tapered Bearing Cone	2	
16	<b>R315298</b>	315298	Bolt - Bed Bar	4	
17	<b>R302-5</b>	302-5, 471214, 471223, 471226	Fitting - Grease	2	
18	<b>R101271</b>	445684	Nut - Bedknife	13	
19	<b>R557618</b>	121499, 557618	Backing Bar - Bedknife	1	
20	<b>R101270</b>	402698, 403757	Screw - Bedknife 3/8-24 x 13/16	13	

All original equipment manufacturers names and part numbers are used for identification purposes only, and we are in no way implying that our products are original equipment parts. Prices subject to change without notice.



# Replaces Jacobsen ST-5111 Parts

Cutting Unit  
Reel & Bedknife



Item No	R&R Part No.	OEM Part No.	Description	Qty Req	Order Quantity
21	<b>R472519</b>	472519	Plug - Adjusting Handle	2	
22	<b>R3003611</b>	3003611	Handle - Adjusting 3/8-24 Thread	2	
22	<b>R365994</b>	365994	Handle - Adjusting 3/8-16 Thread	2	
23	<b>R3004189</b>	3004189	Screw - Adjusting Reel 3/8-24 Thd	2	
23	<b>R364265</b>	364265	Screw - Adjusting Reel 3/8-16 Thd	2	
24	<b>R132532</b>	132532	Height Adjustment Assy RH	2	
25	<b>R132533</b>	132533	Height Adjustment Assy LH	2	
26	<b>R163921</b>	163921	Body - Assy LH	2	
27	<b>R163920</b>	163920	Body - Assy RH	2	
28	<b>R131815</b>	131815	Bracket - Roller RH	2	
29	<b>R131814</b>	131814	Bracket - Roller LH	2	
30	<b>R163467</b>	163467	Screw - Assy. HOC Adj.	4	
31	<b>R304392</b>	304392	Bushing - Bronze	8	
32	<b>R3220-7</b>	443832	Nut - 3/4-16 Jam Zinc	4	
33	<b>R443818</b>	443818	Nut - 1/2-13 Hex Jam Zinc	4	
34	<b>R412003</b>	412003	Screw - 1/2-13 x 1-1/2 Sq HD	4	
35	<b>R3254-6</b>	3254-6, 446140, 446142	Washer - Lock 3/8	12	
36	<b>R400260</b>	400260	Bolt - Hex HD 3/8-16 x 7/8	12	
37	<b>R337593</b>	3000983, 337593	Seal	2	
38	<b>R500596</b>	500596	Tapered Bearing Set - Cup and Cone	2	

All original equipment manufacturers names and part numbers are used for identification purposes only, and we are in no way implying that our products are original equipment parts. Prices subject to change without notice.