

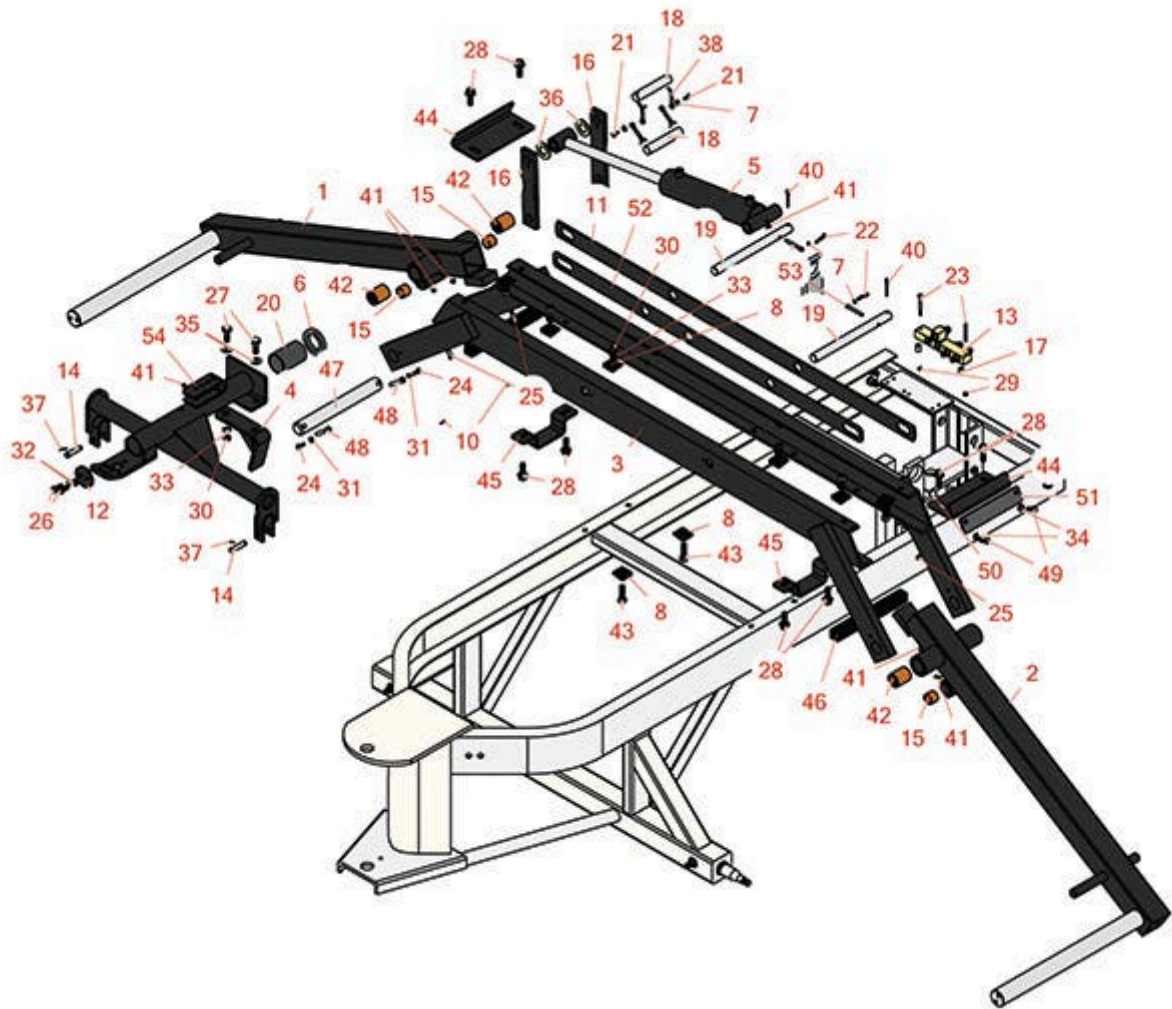


Replaces R&R Products Power Lift

7180GD Parts

Pull Frame

Outrigger Arms



All original equipment manufacturers names and part numbers are used for identification purposes only, and we are in no way implying that our products are original equipment parts. Prices subject to change without notice.



Replaces R&R Products Power Lift 7180GD Parts

*Pull Frame
Outrigger Arms*



Item No	R&R Part No.	OEM Part No.	Description	Qty Req	Order Quantity
1	R116651		Outrigger Arm Assy - LH Black	1	
2	R116652		Outrigger Arm Assy - RH Black	1	
3	R131601		Channel Assy - Black	2	
4	R163206		Cam - Black	2	
5	R163216		Hydraulic Cylinder - Outrigger	2	
5	R500799		Seal Kit - Fits R163216 Cyl	0	
6	R269005		Ring - Spacer 1/2	2	
7	R453023	R3256-1, R3256-72	Washer - Flat 1/4	8	
8	R319598		Washer - Bevel 1/2 - Black	16	
10	R3254-6	446142, R01-166-0010, R01-166-0280, R01-166-0610, R12H304, R3253-5, R3254-18, R3290-223, R446140, R446142, R48-9370	Washer - Lock 3/8	4	
11	R337965		Transport Bar - Outrigger - Black	1	
12	R342028		End Cap	2	
13	R101436	R131639	Hydraulic Manifold - Fits 7 Gang Hyd	1	
14	R343870		Clevis Pin - 1/2 x 2	4	
15	R364140	R345610	Bushing	4	

Tech Note: Pull Frame:

All original equipment manufacturers names and part numbers are used for identification purposes only, and we are in no way implying that our products are original equipment parts. Prices subject to change without notice.



Replaces R&R Products Power Lift 7180GD Parts

*Pull Frame
Outrigger Arms*



Item No	R&R Part No.	OEM Part No.	Description	Qty Req	Order Quantity
16	R363186		Link - Outrigger - Black	4	
17	R316444		Spacer - Hyd Manifold - 7 Gang	2	
18	R363188		Pin - Link - Outrigger	4	
19	R363191		Pin - Outrigger Cyl	2	
20	R363199		Spacer - 3.5 in. - Green	2	
21	R400106	R321-3, R513315, R908002P	Bolt - Hex HD 1/4-20 x 5/8	4	
22	R400112	R400114	Bolt - Hex HD 1/4-20 x 1-1/4	2	
23	R400124	R01-178-0420, R20-11-AD, R321-15	Bolt - Hex HD 1/4-20 x 2-1/2 GR5	2	
24	R400184	400184	Screw - 5/16-18 x 3/4 Hex	2	
25	R400268		Bolt - Hex HD 3/8-16 x 1-3/4	4	
26	R400370		Bolt - Hex HD 7/16-20 x 1 GR5	4	
27	R400408	325-6, R01-150-0090, R01-178-0812, R20-87-AD, R20-87-AGD, R20-87-AGF, R3226-2, R325-6, R513376, R513378	Bolt - Hex HD 1/2-13 x 1-1/2	4	
28	R403754		Bolt - Whizlock 1/2-13 x 1-1/2	8	
29	R443102	R01-188-0420, R22-11-AJD, R3217-5	Nut - 1/4-20 Yellow Zinc	4	

All original equipment manufacturers names and part numbers are used for identification purposes only, and we are in no way implying that our products are original equipment parts. Prices subject to change without notice.



Replaces R&R Products Power Lift 7180GD Parts

*Pull Frame
Outrigger Arms*



Item No	R&R Part No.	OEM Part No.	Description	Qty Req	Order Quantity
30	R443118	R01-188-0813, R22-15-AJD, R3217-9	Nut - 1/2-13 Zinc	16	
31	R446136	446136, R446134	Washer - Lock 5/16 Zinc	2	
32	R446146	446148, R446148	Lock Washer - 7/16	4	
33	R446154	R446152	Washer - Lock 1/2	16	
34	R453011	3256-24, 453011, R01-166-0100, R01-166-0120, R01-166-0270, R01-166-0500, R01-166-0600, R01-166-0620, R132-4593, R237-12, R24-10-AD, R24-11-AD, R24-11-BD, R24-12-AD, R24-12-BD, R30-9310, R32-8190, R3256-24, R3256-3, R3256-36, R3256-4, R47-9950	Washer - Flat 3/8 SAE Y/Zinc	2	
35	R453017	3256-26, R01-166-0050, R01-166-0240, R01-166-0800, R24-13-AD, R24-14-AD, R32-8110, R3256-6, R452012, R69-8980	Washer - Flat 1/2	0	

All original equipment manufacturers names and part numbers are used for identification purposes only, and we are in no way implying that our products are original equipment parts. Prices subject to change without notice.



Replaces R&R Products Power Lift 7180GD Parts

*Pull Frame
Outrigger Arms*



Item No	R&R Part No.	OEM Part No.	Description	Qty Req	Order Quantity
36	R455004		Washer - Flat 1 in SAE	4	
37	R460028	R01-151-0230, R28-10-D, R3272-7, R48-7530	Pin - Cotter 1/8 x 1	4	
38	R460064		Pin - Cotter 1/4 x 1-1/2	10	
40	R460328		Hairpin Cotter	2	
41	R471219	471219, R30-8360, R302-2, R302-24, R302-31, R471231, RJD7759, RJD7798	Zerk - Grease	6	
42	R550344	R342022	Bushing - Formed 1.5 x 1.625 x 2	4	
43	R401208		Bolt - Hex HD 1/2-13 x 1-3/4 GR5	4	
44	R337959		Bracket - Pad	2	
45	R337946G	R337946	Bracket - Cyl - Black	2	
46	R363203		Stop - Outrigger - Black	2	
47	R363190		Pin - Outrigger	2	
48	R346091	R364091	Pin - Retainer	2	
49	R19H2676		Bolt - Hex HD 3/8-16 x 1 GR8 YZ	4	
50	R32128-21	32128-21	Locknut - Flanged 3/8-16 Whiz Top Lock	4	
51	R101439		Rubber Bumper Pad	2	
52	R337964		Transport Bar - Wing Units	1	
53	R460072		Pin - Cotter 1/4 x 2-1/2	2	

All original equipment manufacturers names and part numbers are used for identification purposes only, and we are in no way implying that our products are original equipment parts. Prices subject to change without notice.



Replaces R&R Products Power Lift 7180GD Parts



*Pull Frame
Outrigger Arms*

Item No	R&R Part No.	OEM Part No.	Description	Qty Req	Order Quantity
54	R5000622	R122409	Carrier Frame Assy	2	

All original equipment manufacturers names and part numbers are used for identification purposes only, and we are in no way implying that our products are original equipment parts. Prices subject to change without notice.