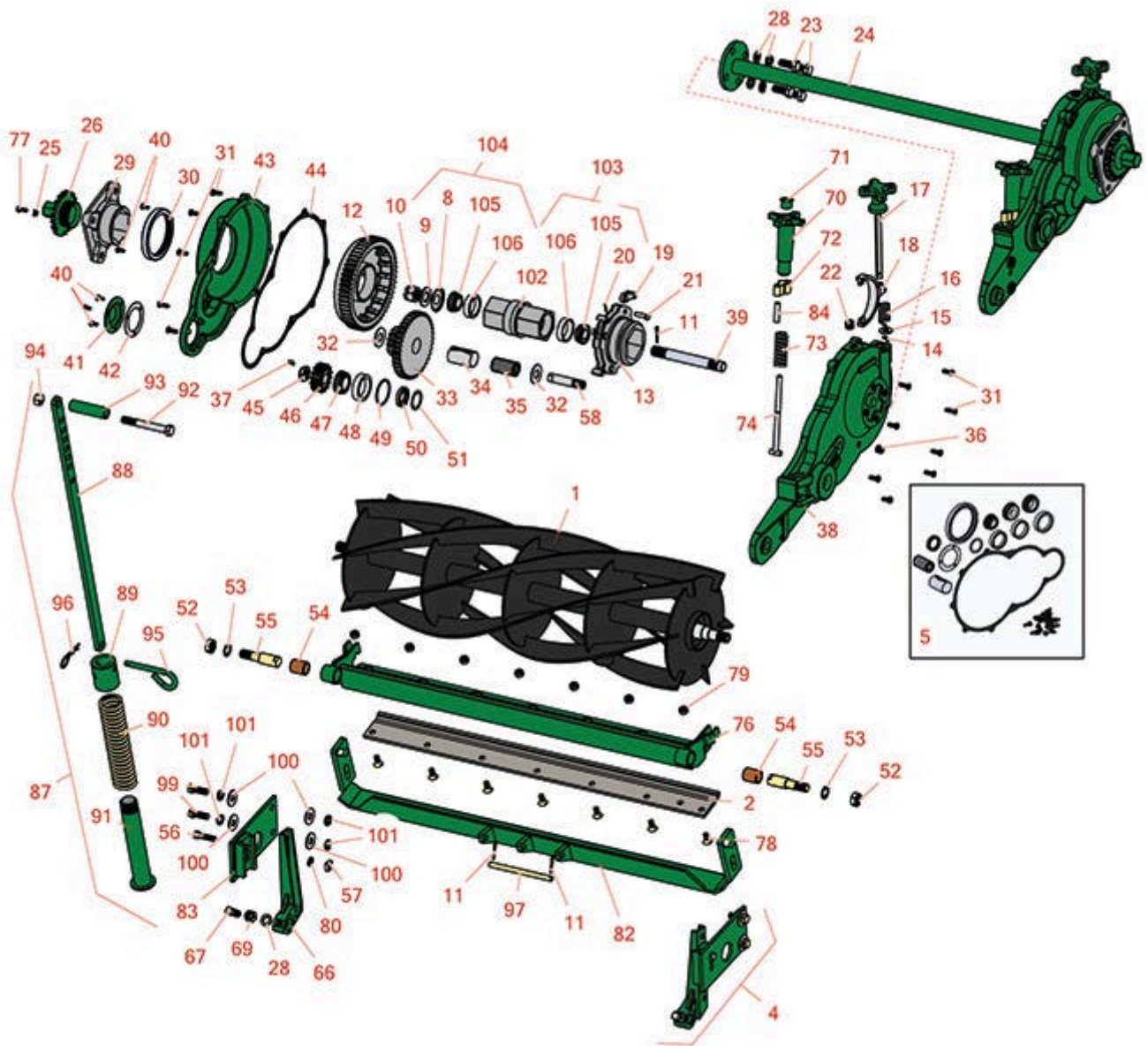




# Replaces R&R Products Power Lift

## 7180GD Parts

Standard Cutting Unit  
Reel & Bedknife



All original equipment manufacturers names and part numbers are used for identification purposes only, and we are in no way implying that our products are original equipment parts. Prices subject to change without notice.



# Replaces R&R Products Power Lift

## 7180GD Parts

Standard Cutting Unit  
Reel & Bedknife



| Item No | R&R Part No. | OEM Part No. | Description | Qty Req | Order Quantity |
|---------|--------------|--------------|-------------|---------|----------------|
|---------|--------------|--------------|-------------|---------|----------------|

### R&R Reels, Lifetime Guaranteed

|   |                |                      |                           |   |  |
|---|----------------|----------------------|---------------------------|---|--|
| 1 | <b>R101253</b> |                      | Reel - 6 Blade 10 in Dia  | 1 |  |
| 1 | <b>R502673</b> | R108347              | Reel - 5 Blade 10 in      | 1 |  |
| 1 | <b>R502674</b> | R108346              | Reel - 4 Blade 10 in Dia. | 1 |  |
| 2 | <b>R325163</b> | R101250,<br>R101250L | Bedknife - 30" 7 Hole     | 1 |  |

### Conversion Kits

|   |                 |  |                                 |   |  |
|---|-----------------|--|---------------------------------|---|--|
| 4 | <b>R700480G</b> |  | Conversion Kit - Skid to Roller | 1 |  |
|---|-----------------|--|---------------------------------|---|--|

*Tech Note: Includes: 4 ea: R400336 Bolt, R446146 Washer, R453013 Washer; 2 ea: R400266 Bolt, R444510 Nut, R3254-6 Washer; 1 ea: R154217 Bracket, R154218 Bracket, R500763 Bracket & R500764 Bracket:*

### Overhaul Kits

|   |                |  |                             |   |  |
|---|----------------|--|-----------------------------|---|--|
| 5 | <b>R500605</b> |  | Overhaul Kit - Cutting Unit | 0 |  |
|---|----------------|--|-----------------------------|---|--|

*Tech Note: Includes 18 ea.: R407706 Screws; 4 ea.: R254-78 Bearings, R254-79 Bearing Cups; 2 ea.: R302755 Cups, R311957 Rings, R315872 Seals, R315873 Seals, R315876 Gaskets, R315914 Bearings, R315928 Gaskets, R315967 Seals, R315977 Bearings... <Click Part# for more>:*

### Other Parts Available

|    |                |   |                     |   |  |
|----|----------------|---|---------------------|---|--|
| 8  | <b>R311957</b> |   | Ring - Nilos        | 2 |  |
| 9  | <b>R453022</b> | R01-166-0480,<br>R01-166-1220,<br>R21-3880,<br>R217-21,<br>R3-7471,<br>R30-8550,<br>R30-9110,<br>R3256-28,<br>R3256-44,<br>R46-9030 | Washer - 3/4 SAE    | 2 |  |
| 10 | <b>R445686</b> |   | Nut - 3/4-16 Castle | 2 |  |

All original equipment manufacturers names and part numbers are used for identification purposes only, and we are in no way implying that our products are original equipment parts. Prices subject to change without notice.



# Replaces R&R Products Power Lift

## 7180GD Parts

Standard Cutting Unit  
Reel & Bedknife



| Item No | R&R Part No. | OEM Part No.                                       | Description                  | Qty Req | Order Quantity |
|---------|--------------|--|------------------------------|---------|----------------|
| 11      | R460028      | R01-151-0230,<br>R28-10-D,<br>R3272-7,<br>R48-7530 | Pin - Cotter 1/8 x 1         | 2       |                |
| 12      | R203976      | R220275  | Gear - Main Ductile Steel    | 2       |                |
| 13      | R203975      |  | Wheel - Pawl Carrier         | 2       |                |
| 14      | R460026      | R11M7059   | Pin - Cotter 1/8 x 3/4       | 2       |                |
| 15      | R315861      |  | Washer                       | 2       |                |
| 16      | R316765      |  | Spring - RH                  | 1       |                |
| 16      | R316766      |  | Spring - LH                  | 1       |                |
| 17      | R153215G     | R009218  | Handle - Release             | 2       |                |
| 18      | R203968      | R241815  | Fork - Release               | 2       |                |
| 19      | R204871      |  | Pawl - Main Gear Ductile     | 8       |                |
| 20      | R460012      |  | Pin - Cotter 3/32 x 3/4      | 8       |                |
| 21      | R315867      |  | Pin - Hardened Pawl          | 8       |                |
| 22      | R472205      |  | Plug - 3/8                   | 2       |                |
| 23      | R400406      |  | Bolt - Hex HD 1/2-13 x 1-1/4 | 8       |                |
| 24      | R108126G     |  | Axle - Blitzer - Green       | 1       |                |
| 25      | R327676      |  | Tab - Locking                | 2       |                |
| 26      | R204119G     | R009222  | Cap - Hub                    | 2       |                |
| 28      | R446154      | R446152  | Washer - Lock 1/2            | 8       |                |
| 29      | R203984      |  | Hub - Ground Wheel           | 2       |                |
| 30      | R315967      |  | Seal - Cover                 | 2       |                |

All original equipment manufacturers names and part numbers are used for identification purposes only, and we are in no way implying that our products are original equipment parts. Prices subject to change without notice.



# Replaces R&R Products Power Lift

## 7180GD Parts

Standard Cutting Unit  
Reel & Bedknife



| Item No   | R&R Part No. | OEM Part No.                        | Description                    | Qty Req | Order Quantity |
|---|--------------|-------------------------------------|--------------------------------|---------|----------------|
| 31  | R407706      |                                     | Screw - Housing Cover          | 18      |                |
| 32  | R302295      |                                     | Washer                         | 2       |                |
| 33  | R331834      |                                     | Gear - Int. Ductile Steel      | 2       |                |
| 34  | R315978      |                                     | Sleeve - Bearing               | 2       |                |
| <i>Tech Note: Rotates in same direction of gear rotation:</i> |              |                                     |                                |         |                |
| 35  | R315977      |                                     | Bearing - Int Gear             | 2       |                |
| 36  | R472203      |                                     | Plug - 1/4                     | 2       |                |
| 37  | R315877      |                                     | Key - Pinion Gear              | 4       |                |
| 38  | R109550G     |                                     | Housing - Gear LH Fits Pgr     | 1       |                |
| 38  | R109551G     |                                     | Housing - Gear RH Fits Pgr     | 1       |                |
| 39  | R545515      |                                     | Stud - Ground Wheel            | 2       |                |
| 40  | R408052      |                                     | Screw - 12-24 x 1/2 Bind HD    | 10      |                |
| 41  | R352635G     | R009224                             | Cap - Cover                    | 2       |                |
| 42  | R315876      |                                     | Gasket - Insp Plate            | 2       |                |
| 43  | R203986G     | R009228                             | Cover - Housing                | 2       |                |
| 44  | R315928      |                                     | Gasket - Cover                 | 2       |                |
| 45  | R444742      | R32146-20,<br>R9150906,<br>R915090P | Nut - 3/4-16 Gripco Centerlock | 2       |                |

All original equipment manufacturers names and part numbers are used for identification purposes only, and we are in no way implying that our products are original equipment parts. Prices subject to change without notice.



# Replaces R&R Products Power Lift

## 7180GD Parts

Standard Cutting Unit  
Reel & Bedknife



| Item No | R&R Part No.    | OEM Part No.   | Description                  | Qty Req | Order Quantity |
|---------|-----------------|--|------------------------------|---------|----------------|
| 45      | <b>R3296-15</b> | 367029,<br>R1503473,<br>R32118-5,<br>R32127-23,<br>R32127-47,<br>R367029,<br>R445748,<br>RG-371,<br>RN101345 | Locknut - 3/4-16 Nylon Jam   | 2       |                |
| 46      | <b>R315843</b>  |  | Gear - Pinion                | 2       |                |
| 47      | <b>R315914</b>  | R07098,<br>R150-0,<br>R70030-50021   | Tapered Bearing Cone         | 2       |                |
| 48      | <b>R302755</b>  | R07204,<br>R151-0,<br>R70030-50022   | Cup - Bearing                | 2       |                |
| 49      | <b>R315910</b>  |  | Spacer                       | 1       |                |
| 50      | <b>R315872</b>  | R336781,<br>R339055  | Seal - Reel                  | 2       |                |
| 51      | <b>R315873</b>  |  | Seal - Washer                | 2       |                |
| 52      | <b>R443828</b>  | R01-191-1018,<br>R3220-6,<br>R915089P  | Nut - 5/8-18 Hex             | 2       |                |
| 53      | <b>R447224</b>  |  | Washer - Lock 5/8 Int Star Z | 2       |                |
| 54      | <b>R545723</b>  |  | Bushing - For Backing Stud   | 2       |                |
| 55      | <b>R315909</b>  |  | Stud - Bedknife Backing      | 2       |                |
| 56      | <b>R400266</b>  |  | Bolt - Hex HD 3/8-16 x 1-1/2 | 2       |                |
| 57      | <b>R444510</b>  |  | Nut - 3/8-16 Sq.             | 2       |                |
| 58      | <b>R315851</b>  |  | Stud - Intermediate          | 2       |                |
| 66      | <b>R500763G</b> | R009219  | Bracket - Roller LH          | 1       |                |

All original equipment manufacturers names and part numbers are used for identification purposes only, and we are in no way implying that our products are original equipment parts. Prices subject to change without notice.



# Replaces R&R Products Power Lift

## 7180GD Parts

Standard Cutting Unit  
Reel & Bedknife



| Item No  | R&R Part No.    | OEM Part No.                          | Description                     | Qty Req | Order Quantity |
|--|-----------------|---------------------------------------|---------------------------------|---------|----------------|
| 66   | <b>R500764G</b> | R009220                               | Bracket - Roller RH             | 1       |                |
| 67   | <b>R412003</b>  |                                       | Screw - 1/2-13 x 1-1/2 Sq HD    | 2       |                |
| 69   | <b>R443818</b>  | R01-191-0813,<br>R3218-18,<br>R3218-5 | Nut - 1/2-13 Hex Jam Zinc       | 2       |                |
| 70   | <b>R500548G</b> | R009221                               | Handle - Adjusting              | 2       |                |
| 71   | <b>R312794</b>  | R344708                               | Plug - Adj. Handle              | 2       |                |
| 72   | <b>R315964</b>  |                                       | Spring - Friction               | 2       |                |
| 73   | <b>R315966</b>  |                                       | Spring - Adjusting              | 2       |                |
| <i>Tech Note: Spring overall length is 2-3/4":</i>                 |                 |                                       |                                 |         |                |
| 73   | <b>R315844</b>  |                                       | Spring - Worn Reel              | 2       |                |
| <i>Tech Note: Special spring used for worn reels, 2-1/2" long:</i> |                 |                                       |                                 |         |                |
| 74   | <b>R316351</b>  |                                       | Screw - Adjusting Blitzer       | 2       |                |
| 76   | <b>R130304G</b> | R009211                               | Backing Bar - Bed Knife         | 1       |                |
| <i>Tech Note: Includes R545723:</i>                                |                 |                                       |                                 |         |                |
| 77   | <b>R400106</b>  | R321-3,<br>R513315,<br>R908002P       | Bolt - Hex HD 1/4-20 x 5/8      | 2       |                |
| 78   | <b>R101270</b>  | R402698,<br>R403757                   | Screw - Bedknife 3/8-24 x 13/16 | 7       |                |
| 79   | <b>R101271</b>  | R445684,<br>R445746                   | Nut - Bedknife                  | 7       |                |

All original equipment manufacturers names and part numbers are used for identification purposes only, and we are in no way implying that our products are original equipment parts. Prices subject to change without notice.



# Replaces R&R Products Power Lift

## 7180GD Parts

Standard Cutting Unit  
Reel & Bedknife



| Item No | R&R Part No.     | OEM Part No.  | Description                       | Qty Req | Order Quantity |
|---------|------------------|---|-----------------------------------|---------|----------------|
| 80      | <b>R3254-6</b>   | 446142,<br>R01-166-0010,<br>R01-166-0280,<br>R01-166-0610,<br>R12H304,<br>R3253-5,<br>R3254-18,<br>R3290-223,<br>R446140,<br>R446142,<br>R48-9370 | Washer - Lock 3/8                 | 2       |                |
| 82      | <b>R500238G</b>  |   | Skid - w/Pin Fits Blitzer - Green | 1       |                |
| 83      | <b>R154217G</b>  |   | Bracket - Support LH - Green      | 1       |                |
| 83      | <b>R154218G</b>  |   | Bracket - Support RH - Green      | 1       |                |
| 84      | <b>R461406</b>   |   | Pin - Roll                        | 2       |                |
| 87      | <b>R110030G</b>  |   | Lever Assy                        | 1       |                |
| 88      | <b>R335677G</b>  |   | Lever - Fits Blitzer              | 1       |                |
| 89      | <b>R358414G</b>  |   | Nut - Adjusting Lever Green       | 1       |                |
| 90      | <b>R316133</b>   |   | Spring - Lever Fits Blitzer       | 1       |                |
| 91      | <b>R110031G</b>  |   | Tube - Outer Lever Assy           | 1       |                |
| 92      | <b>R400456</b>   |   | Bolt - Handle                     | 1       |                |
| 93      | <b>R319873G</b>  |   | Handle - Spring Lever             | 1       |                |
| 94      | <b>R32146-11</b> | R22-15-AJF,<br>R22-15-BJFD,<br>R32153-14,<br>R32153-7,<br>R443120   | Locknut - 1/2-20 Center           | 1       |                |
| 95      | <b>R318001G</b>  |   | Pin - Lock                        | 1       |                |

All original equipment manufacturers names and part numbers are used for identification purposes only, and we are in no way implying that our products are original equipment parts. Prices subject to change without notice.



# Replaces R&R Products Power Lift

## 7180GD Parts

Standard Cutting Unit  
Reel & Bedknife



| Item No   | R&R Part No.   | OEM Part No.  | Description                       | Qty Req | Order Quantity |
|---|----------------|---|-----------------------------------|---------|----------------|
| 96  | <b>R460312</b> | R30-8530,<br>R3290-343,<br>R460316  | Pin - Hair Cotter                 | 1       |                |
| 97  | <b>R316478</b> |   | Rod - Fits Blitzer Skid           | 1       |                |
| 99  | <b>R400336</b> |   | Bolt - Hex HD 7/16-14 x 1-1/4 GR5 | 1       |                |
| 100   | <b>R453013</b> | 452008,<br>R01-166-0140,<br>R01-166-0700,<br>R3256-5,<br>R452008,<br>R80-4850   | Washer - Flat 7/16                | 4       |                |
| 101   | <b>R446146</b> | 446148,<br>R446148  | Lock Washer - 7/16                | 4       |                |
| 102   | <b>R500236</b> |   | Cylinder - Wheel                  | 2       |                |
| <i>Tech Note: Includes 1 R500533 &amp; R500534:</i> |                |   |                                   |         |                |
| 103   | <b>R500534</b> | R1-633585,<br>R2208006  | Bearing - with Cup                | 4       |                |
| 104   | <b>R500533</b> |   | Bearing - w/Cup and Ring          | 2       |                |
| 105   | <b>R254-78</b> | R01-102-0060,<br>R01-102-0130,<br>R255815,<br>R32-7790,<br>R32-9580,<br>R385174,<br>R4121174,<br>R4135152,<br>R70030-50302,<br>R93-4813,<br>RB4512,<br>RG-373,<br>RJD8188 | Tapered Bearing Cone              | 0       |                |

All original equipment manufacturers names and part numbers are used for identification purposes only, and we are in no way implying that our products are original equipment parts. Prices subject to change without notice.





# Replaces R&R Products Power Lift

## 7180GD Parts

Standard Cutting Unit  
Reel & Bedknife



| Item No | R&R Part No.   | OEM Part No.   | Description   | Qty Req | Order Quantity |
|---------|----------------|--|---------------|---------|----------------|
| 106     | <b>R254-79</b> | R01-103-0060,<br>R01-103-0130,<br>R1-633584,<br>R252-106,<br>R255820,<br>R32-7800,<br>R32-9590,<br>R4121175,<br>R70030-50301,<br>R808088,<br>RB4015,<br>RG-372,<br>RJD8226 | Cup - Bearing | 0       |                |

*Tech Note: Use R254-79M installation mandrel to properly install race.:*

All original equipment manufacturers names and part numbers are used for identification purposes only, and we are in no way implying that our products are original equipment parts. Prices subject to change without notice.