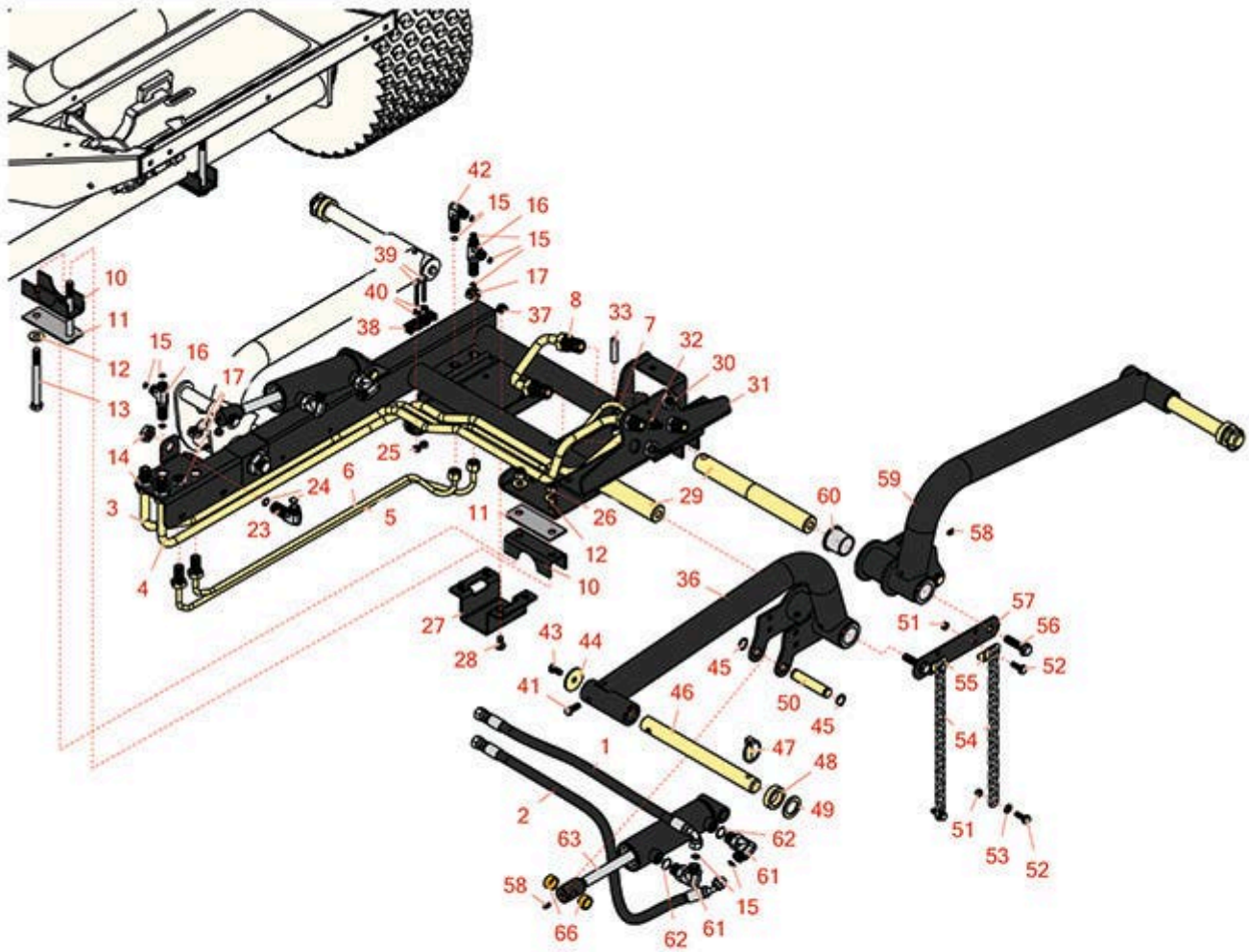




# Replaces R&R Products Reel Max 331LP

## Parts

Traction Unit  
Carrier Frame



All original equipment manufacturers names and part numbers are used for identification purposes only, and we are in no way implying that our products are original equipment parts. Prices subject to change without notice.



# Replaces R&R Products Reel Max 331LP

## Parts

Traction Unit  
Carrier Frame



Item No	R&R Part No.	OEM Part No.	Description	Qty Req	Order Quantity
<b>Hoses</b>					
1	R95-8840		Hydraulic Hose Assy	1	
2	R99-3439		Hydraulic Hose Assy	1	
3	R95-8980		Tube Assy	1	
4	R95-8981		Tube Assy	1	
5	R95-8983		Tube Assy	1	
6	R95-8984		Tube Assy	1	
7	R95-8982		Tube Assy	1	
8	R94-1319		Tube - Hyd	1	
<b>Other Parts Available</b>					
10	R95-8884		Clamp	4	
11	R99-3373		Bar - Support - Slide	4	
12	R87-7270-01	R87-7270	Washer - Flat 1/2	8	
13	R325-19	R01-150-1450, R01-158-1260, R01-178-0840, R20-99-AGD	Bolt - Hex HD 1/2-13 x 5	4	
14	R340-127		Nut - Bulkhead	3	
15	R237-22	R107-8844, R232-72, R237-78	O-Ring	6	
16	R340-68	R340-120	Fitting - Tee - Bulkhead	2	
17	R340-70		Nut - Lock	4	
23	R93-9151		Hydraulic Fitting	1	

All original equipment manufacturers names and part numbers are used for identification purposes only, and we are in no way implying that our products are original equipment parts. Prices subject to change without notice.



# Replaces R&R Products Reel Max 331LP

## Parts

*Traction Unit  
Carrier Frame*



Item No	R&R Part No.	OEM Part No.	Description	Qty Req	Order Quantity
24	<b>R237-30</b>	R23-6320	O-Ring - Seal	2	
25	<b>R301504</b>	R32127-24, R32146-17, R3296-16, R3296-42, R915661P, RM40333	Locknut - ESNA 1/4-20	2	
26	<b>RF5003</b>	3296-23, R32127-29, R32131-5, R32132-5, R3296-23, R64229-05	Locknut - ESNA 1/2-13	4	
27	<b>R95-8904-03</b>		Bracket - Clamp	1	
28	<b>R3234-1</b>		Bolt - Flanged Serrated Hex HD 3/8-16 x 3/4	4	
29	<b>R95-8531</b>		Pivot Shaft	2	
30	<b>R340-74</b>		Locknut - Bulkhead	4	
31	<b>R100-4930-03</b>		Carrier Assy	1	
32	<b>R340-78</b>		Nut - Lock Bulkhead	1	
33	<b>R32121-122</b>	R01-153-0140	Pin - Roll 1/2 x 2	2	
36	<b>R115-3466</b>	R95-8553, R95-8553-01	Lift Arm Assy - Short RH	1	
37	<b>R32128-43</b>	R30-8990, R3290-357	Nut - Flanged Whiz - 3/8-16	4	
38	<b>R93-2509</b>		Clamp - Tube	2	
39	<b>R3234-34</b>	323-12	Bolt - Hex Washer 1/4 x 2	2	

All original equipment manufacturers names and part numbers are used for identification purposes only, and we are in no way implying that our products are original equipment parts. Prices subject to change without notice.



# Replaces R&R Products Reel Max 331LP

## Parts

*Traction Unit  
Carrier Frame*



Item No	R&R Part No.	OEM Part No.	Description	Qty Req	Order Quantity
40	<b>R3256-22</b>	R09061, R24-9-BD, R3-1032, R93-0954, R93-0989	Washer - Flat 1/4 Yellow	2	
41	<b>R323-6</b>	323-6, R01-150-0010, R01-178-0608, R20-47-AD, R20-47-AGD, R3224-2, R49-3510, R908034P, R908332	Bolt - Hex HD 3/8-16 x 1 GR5 YZ	2	
42	<b>R340-154</b>	R93-9150	Union - Bulkhead	1	
43	<b>R400258</b>	R01-150-0800, R01-178-0600, R01-178-0606, R20-45-AD, R31-0200, R31-9910, R3224-1, R323-4	Bolt - Hex HD 3/8-16 x 3/4	2	
44	<b>R63-7400</b>		Washer - Rebound	2	
45	<b>R32120-93</b>		Snap Ring - HD	6	
46	<b>R95-8979</b>		Shaft - Pivot - 11.687 in Hardened	2	
47	<b>R283-71</b>		Pin - Lynch Heavy Duty	2	
48	<b>R63-0070</b>	R26-1580	Spacer - 1/2 HOC	2	
49	<b>R3-6781</b>		Washer - Thrust - Castor Wheel	2	
50	<b>R95-8575</b>		Pin	3	
51	<b>R3296-29</b>	3296-29, R1-804256, R915662P	Locknut - 5/16-18 ESNA	4	

All original equipment manufacturers names and part numbers are used for identification purposes only, and we are in no way implying that our products are original equipment parts. Prices subject to change without notice.



# Replaces R&R Products Reel Max 331LP

## Parts

*Traction Unit  
Carrier Frame*



Item No	R&R Part No.	OEM Part No.	Description	Qty Req	Order Quantity
52	<b>R3234-29</b>		Bolt - 5/16-18x1 Serr Hex	4	
53	<b>R453009</b>	3256-3, R01-166-0400, R24-10-BD, R24-9-AD, R24H1136, R32-9650, R3256-2, R3256-23, R3256-67, R3290-217, R3556-3, R4-2390, R452006, R7-0152	Washer - Flat 5/16 SAE	2	
54	<b>R98-7981</b>		Chain - Link	2	
55	<b>R99-3550</b>		Clip - Link	2	
56	<b>R3234-27</b>		Bolt - 1/2-13 x 2 Hex	2	
57	<b>R95-8532-03</b>	R95-8532	Link - Shaft - Pivot	1	
58	<b>R302-5</b>	R173-0, R21-6010, R255825, R302-37, R302-47, R302-57, R302-58, R302-6, R31-0300, R32-9660, R471214, R471223, R471226, R60-0800, R62-3880, R92-4181, RJD7797, RJD7842, RJD7844, RM0004	Fitting - Grease	4	

All original equipment manufacturers names and part numbers are used for identification purposes only, and we are in no way implying that our products are original equipment parts. Prices subject to change without notice.



# Replaces R&R Products Reel Max 331LP

## Parts

*Traction Unit  
Carrier Frame*



Item No	R&R Part No.	OEM Part No.	Description	Qty Req	Order Quantity
59	<b>R115-3465</b>	R95-8554, R95-8554-01	Lift Arm Assy - Short LH	1	
60	<b>R69-6470</b>		Bushing - Flanged	4	
61	<b>R340-77</b>	R340-100, R95-7889	Hydraulic Fitting	2	
62	<b>R237-42</b>	R31-4160, R339897	O-Ring	2	
63	<b>R112-9916</b>	R108-9033	Hydraulic Cylinder	1	
66	<b>R75-9590</b>		Spacer - Cylinder	2	

All original equipment manufacturers names and part numbers are used for identification purposes only, and we are in no way implying that our products are original equipment parts. Prices subject to change without notice.