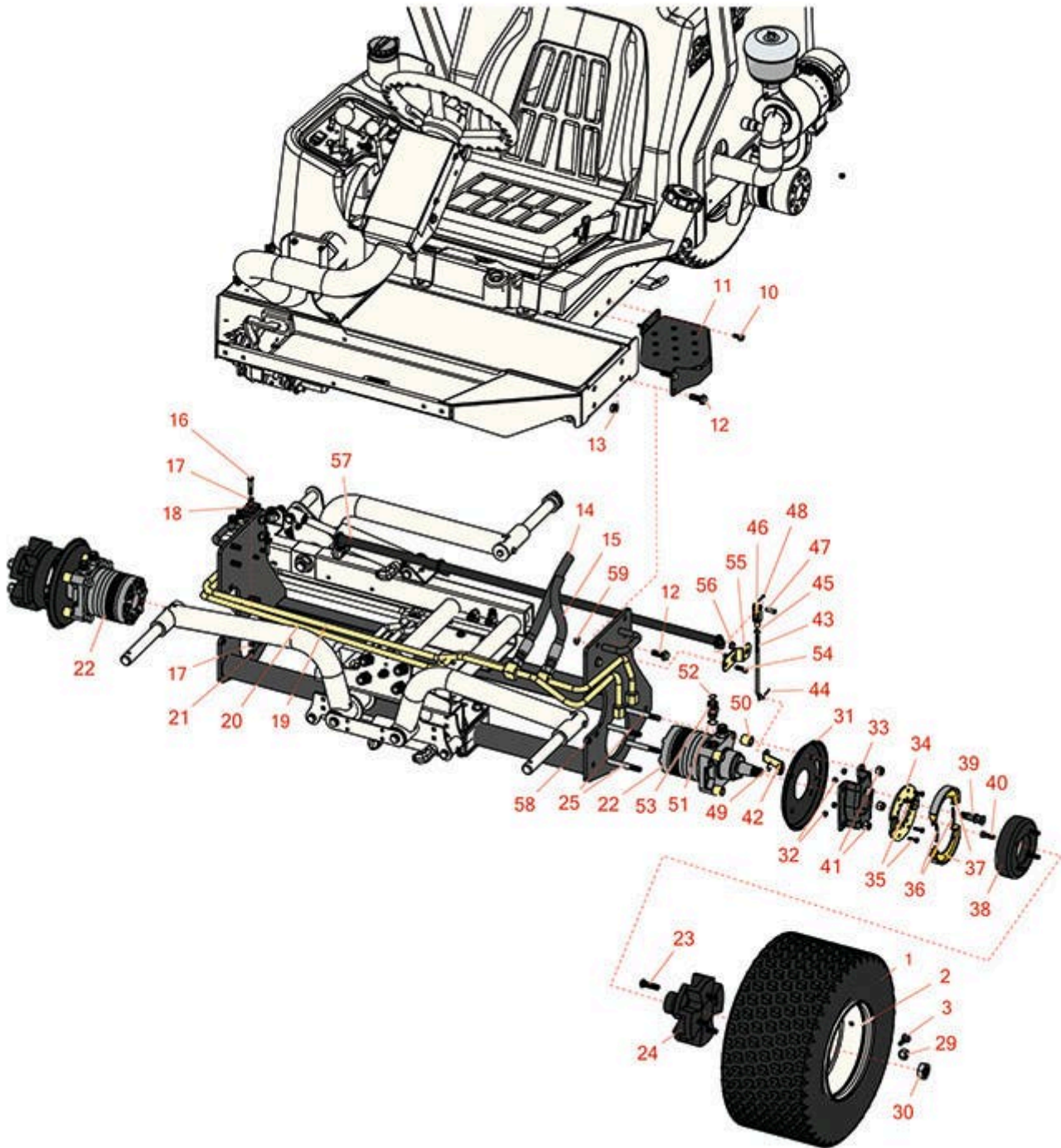




# Replaces R&R Products Reel Max 331LP

## Parts

Traction Unit  
Front Wheel & Brake



All original equipment manufacturers names and part numbers are used for identification purposes only, and we are in no way implying that our products are original equipment parts. Prices subject to change without notice.



# Replaces R&R Products Reel Max 331LP

## Parts

*Traction Unit  
Front Wheel & Brake*



Item No	R&R Part No.	OEM Part No.	Description	Qty Req	Order Quantity
<b>Tires</b>					
1	<b>RCT575315</b>	R117-5125	Tire - 20x12.00-10 Nhs (4 Ply) Carlisle Turf Trac R/S	2	
2	<b>R104-0452</b>		Rim - Wheel 10 x 9 3/4	2	
3	<b>R232-27</b>	R232-31, R360111	Stem - Valve w/ Cap	2	
10	<b>R3234-5</b>	R62-3310	Bolt - 5/16-18x3/4 Hx Ser Was HD	2	
11	<b>R99-3375-03</b>	R99-3375	Step	1	
12	<b>R3234-38</b>		Bolt - Flanged Hex 1/2-13 x 1-1/4	8	
13	<b>R32128-49</b>		Nut - 1/2-13 Hex Flange	8	
14	<b>R105-1221</b>		Hydraulic Hose Assy	1	
15	<b>R105-1214</b>	R95-8834	Hydraulic Hose Assy	1	
16	<b>R19H3130</b>	322-9, R322-9, R3223-5	Bolt - Hex HD 5/16-18 x 1-3/4	2	
17	<b>R453009</b>	3256-3, R01-166-0400, R24-10-BD, R24-9-AD, R24H1136, R32-9650, R3256-2, R3256-23, R3256-67, R3290-217, R3556-3, R4-2390, R452006, R7-0152	Washer - Flat 5/16 SAE	4	
18	<b>R56-7971</b>		Clamp - Tube	4	
19	<b>R95-8783</b>		Tube Assy	1	

All original equipment manufacturers names and part numbers are used for identification purposes only, and we are in no way implying that our products are original equipment parts. Prices subject to change without notice.



# Replaces R&R Products Reel Max 331LP

## Parts

*Traction Unit  
Front Wheel & Brake*



Item No	R&R Part No.	OEM Part No.	Description	Qty Req	Order Quantity
20	<b>R95-8784</b>		Tube Assy	1	
21	<b>R3296-29</b>	3296-29, R1-804256, R915662P	Locknut - 5/16-18 ESNA	2	
22	<b>R75-9990</b>		Hydraulic Motor - Wheel	2	
23	<b>R10-6830</b>		Stud - Wheel 1/2-20 x 1 3/4	8	
24	<b>R104-0462-03</b>		Hub - Wheel - Front	2	
25	<b>R3274-99</b>		Bolt - Hx Soc HD	8	
29	<b>R242-50</b>		Nut - 1/2-20 Wheel	8	
30	<b>R26-3790</b>		Nut - Hex - Wheel Motor 1-20	2	
31	<b>R104-0485-03</b>		Shield - Wheel	2	
32	<b>R301504</b>	R32127-24, R32146-17, R3296-16, R3296-42, R915661P, RM40333	Locknut - ESNA 1/4-20	8	
33	<b>R84-2000-03</b>	R84-2000	Bracket - Brake	2	
34	<b>R70-9870</b>		Plate - Backing	2	
35	<b>R321-5</b>	R321-31, R400110	Bolt - Hex HD 1/4-20 x 7/8	8	
36	<b>R70-9880</b>		Spring - Brake Shoe	4	
37	<b>R70-9840</b>		Shoe - Brake	4	
38	<b>R104-4809</b>		Drum - Brake	2	
39	<b>R104-7707</b>	R104-7708, R70-9850, R70-9860	Cam - Brake	2	

All original equipment manufacturers names and part numbers are used for identification purposes only, and we are in no way implying that our products are original equipment parts. Prices subject to change without notice.



# Replaces R&R Products Reel Max 331LP Parts

*Traction Unit  
Front Wheel & Brake*



Item No	R&R Part No.	OEM Part No.	Description	Qty Req	Order Quantity
40	<b>R3274-105</b>		Screw - Button HD Soc Cap	8	
41	<b>RF5003</b>	3296-23, R32127-29, R32131-5, R32132-5, R3296-23, R64229-05	Locknut - ESNA 1/2-13	8	
42	<b>R93-6850</b>	R114-2726	Lever - Brake	2	
43	<b>R104-4627</b>		Rod - Adjusting	2	
44	<b>R1023-4</b>	R01-151-0150, R19-6220, R214-14, R215-54, R28-9-D, R3272-4, R3272-6, R460014, R513567, R932008P, RZS04061-02	Pin - Cotter 3/32 x 3/4	2	
45	<b>R3220-2</b>	R01-191-0524	Nut - Jam - 5/16-24	2	
46	<b>R282-2</b>	R1-303105	Yoke	2	
47	<b>R283-1</b>	R283-13	Pin - Clevis	2	
48	<b>R3272-10</b>	R01-151-0120	Pin - Cotter 1/8 x 3/4	2	
49	<b>R150513</b>	R104-7706	E - Clip - Brake Assy	2	
50	<b>R92-1715</b>	R100005	Spacer	8	
51	<b>R237-80</b>	R327-80	O-Ring	4	
52	<b>R237-65</b>		O-Ring	4	
53	<b>R340-7</b>		Adapter	4	
54	<b>R3234-11</b>		Bolt - Hex Washer HD	4	

All original equipment manufacturers names and part numbers are used for identification purposes only, and we are in no way implying that our products are original equipment parts. Prices subject to change without notice.



# Replaces R&R Products Reel Max 331LP Parts

*Traction Unit  
Front Wheel & Brake*



Item No	R&R Part No.	OEM Part No.	Description	Qty Req	Order Quantity
55	<b>R95-8683</b>		Bracket - Pivot	2	
56	<b>R256-156</b>	R256-219	Bushing - Flanged	2	
57	<b>R104-4625-03</b>		Brake Pivot Shaft	1	
58	<b>R95-8568-03</b>	R95-8568	Frame - Lower	1	
59	<b>R32128-43</b>	R30-8990, R3290-357	Nut - Flanged Whiz - 3/8-16	4	

All original equipment manufacturers names and part numbers are used for identification purposes only, and we are in no way implying that our products are original equipment parts. Prices subject to change without notice.