

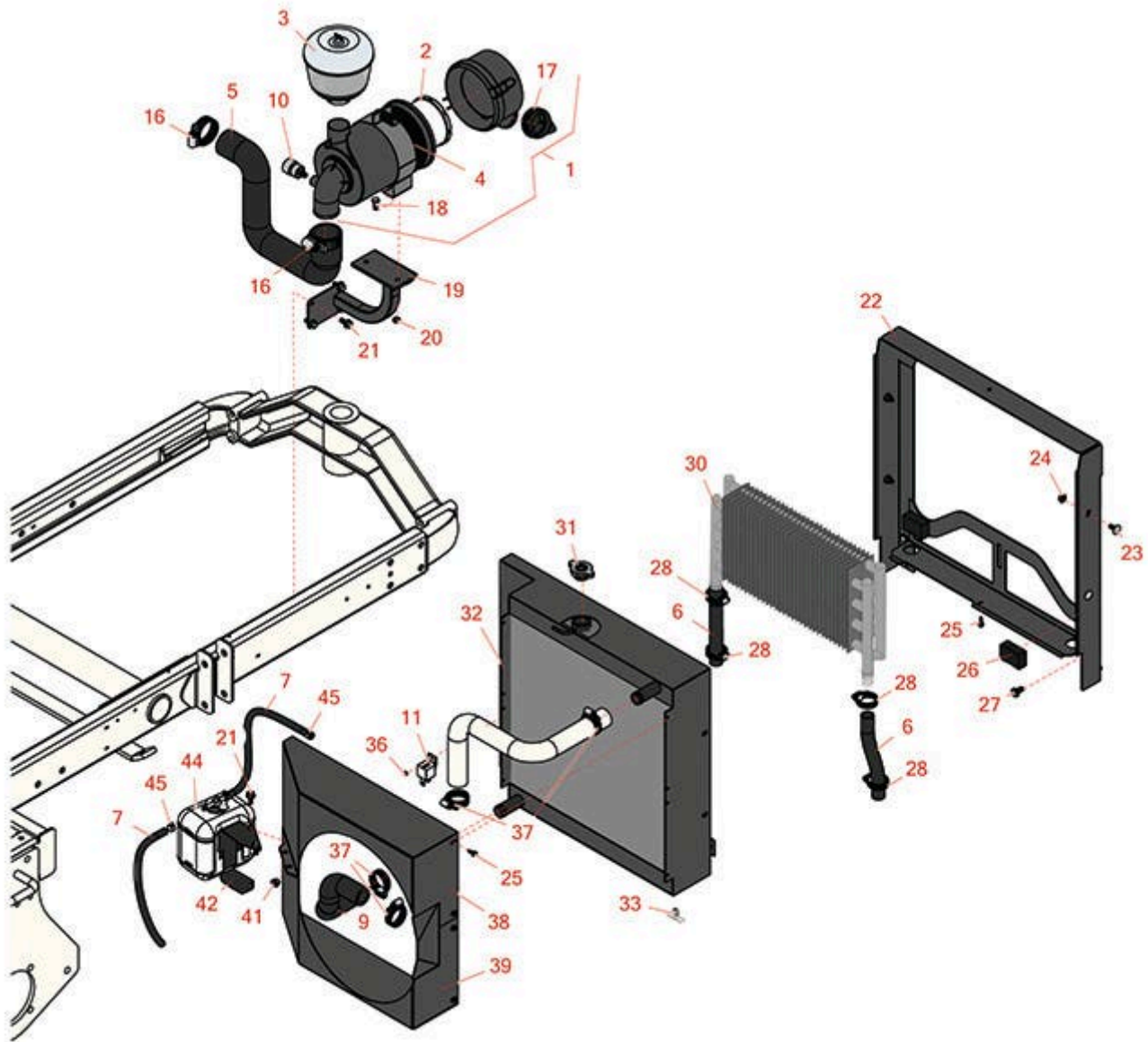


Replaces R&R Products Reel Max 331LP

Parts

Traction Unit

Radiator & Air Intake



All original equipment manufacturers names and part numbers are used for identification purposes only, and we are in no way implying that our products are original equipment parts. Prices subject to change without notice.



Replaces R&R Products Reel Max 331LP

Parts

Traction Unit

Radiator & Air Intake



Item No	R&R Part No.	OEM Part No.	Description	Qty Req	Order Quantity
Filters					
1	R106-5277		Air Cleaner Assy	1	
2	R108-3811		Element - Air Cleaner	1	
3	R27-7100P	R48-7430	Pre-Cleaner	1	
4	R100-4825		Band-Mounting,-Air Filter	1	
Hoses					
5	R151318		Hose - Formed - Air Cleaner	1	
6	R99-3646		Hose-Cooler, Oil	2	
7	R63-9640		Hose - Fuel	1	
9	R95-8945		Hose-Radiator - Lower	1	
Gauges and Controls					
10	R93-9164		Indicator - Service - Air Filter	1	
11	R99-7435		Relay - 70 Amp	1	
Other Parts Available					
16	RG132		Clamp - Hose 1.56-2.5 Box/10	1	
17	R87-9400	R94-1414	Valve - Vacuator	1	
18	R322-3	R01-150-1420, R01-178-0506, R09109, R20-24-AD, R20-24-AGD, R48-9270, R513339, R908017P, RB311201	Bolt - Hex HD 5/16-18 x 3/4	2	
19	R151319		Bracket - Air Filter	1	

All original equipment manufacturers names and part numbers are used for identification purposes only, and we are in no way implying that our products are original equipment parts. Prices subject to change without notice.



Replaces R&R Products Reel Max 331LP

Parts

Traction Unit

Radiator & Air Intake



Item No	R&R Part No.	OEM Part No.	Description	Qty Req	Order Quantity
20	R3296-29	3296-29, R1-804256, R915662P	Locknut - 5/16-18 ESNA	2	
21	R3234-5	R62-3310	Bolt - 5/16-18x3/4 Hx Ser Was HD	6	
22	R104-4855-03		Frame Assy - Radiator	1	
23	R3230-1	R01-173-0506, R3230-20, R900037P	Bolt - Carriage 5/16-18 x 3/4	4	
24	R32128-44		Nut	4	
25	R32104-116		Screw - 12 x 1/2 Sheet Metal HswH	9	
26	R95-8962		Seal - Foam - Radiator	2	
27	R3234-1		Bolt - Flanged Serrated Hex HD 3/8-16 x 3/4	4	
28	R2412-129	R94-3188, R94-3189, R94-3193, R94-3203, R94-3204	Clamp - Worm 9/16-1 1/4	4	
30	R150845	R100-4869	Oil Cooler	1	
31	R93-5957		Cap - Radiator	1	
32	R99-3637		Radiator	1	
33	R304-46		Draincock	1	
36	R32128-17		Nut - Lock - Flange	1	
37	R2412-34	R31-0120	Clamp - Hose .75-1.5	4	
38	R100-4885-03		Shroud - Fan - Top	1	
39	R110-8798-03	R100-4898-03	Shroud - Lower - Fan	1	

All original equipment manufacturers names and part numbers are used for identification purposes only, and we are in no way implying that our products are original equipment parts. Prices subject to change without notice.



Replaces R&R Products Reel Max 331LP Parts

*Traction Unit
Radiator & Air Intake*



Item No	R&R Part No.	OEM Part No.	Description	Qty Req	Order Quantity
41	R445722	R30-8980, R32128-2, R32128-20	Nut - Serrated Washer	2	
42	R95-8879-03	R95-8879	Bracket - Reservoir	1	
44	RX1G64272400	R104-9318, R105-3753, R98-9323, R98-9397	Kubota Tank - Reserve Assy	1	
45	R92-2379		Clamp - Hose	3	

All original equipment manufacturers names and part numbers are used for identification purposes only, and we are in no way implying that our products are original equipment parts. Prices subject to change without notice.