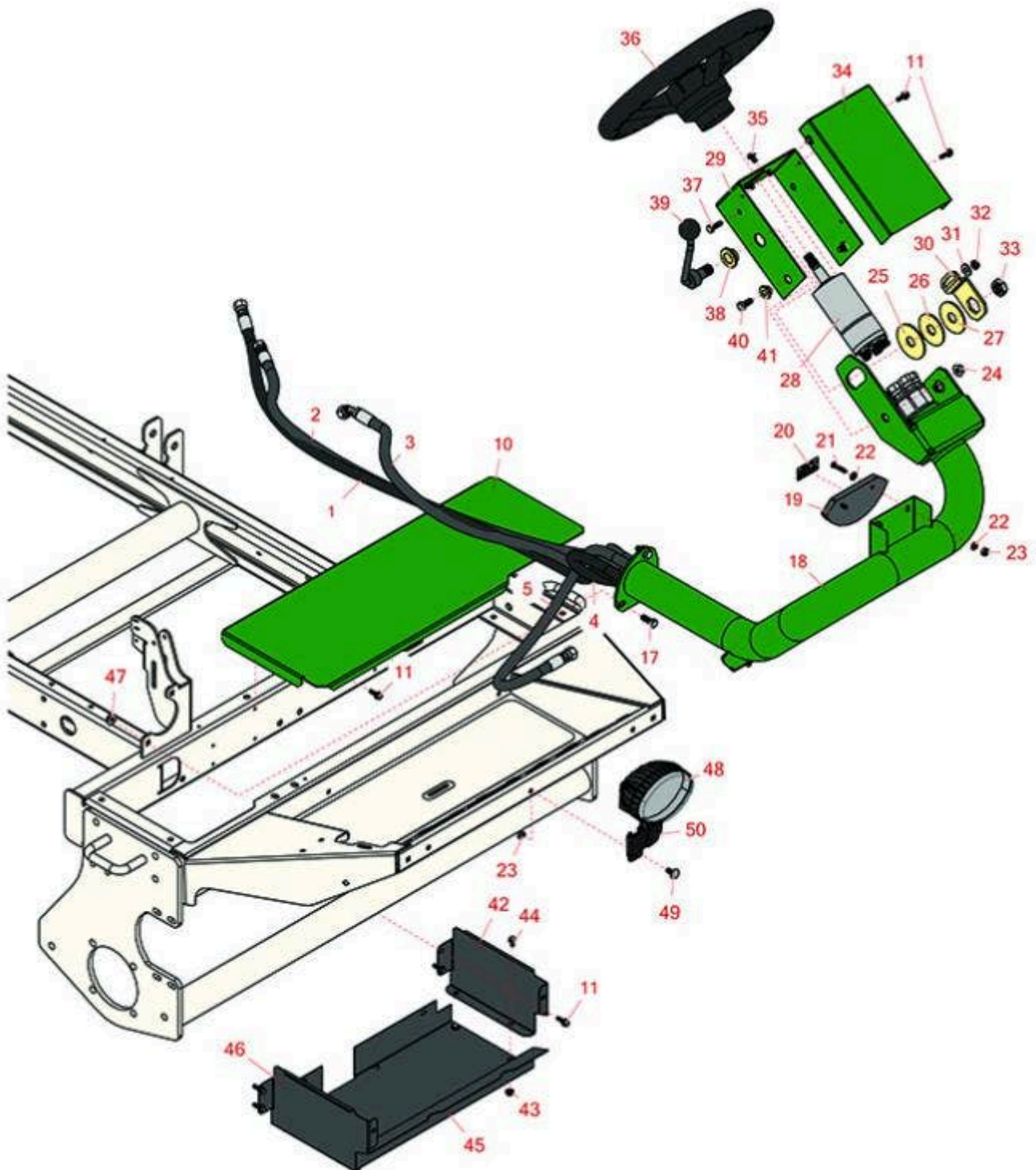




Replaces R&R Products Reel Max 331LP

Parts

Traction Unit
Steering Column



All original equipment manufacturers names and part numbers are used for identification purposes only, and we are in no way implying that our products are original equipment parts. Prices subject to change without notice.



Replaces R&R Products Reel Max 331LP

Parts

Traction Unit
Steering Column



Item No	R&R Part No.	OEM Part No.	Description	Qty Req	Order Quantity
Hoses					
1	R95-8845		Hydraulic Hose Assy	1	
2	R95-8844		Hydraulic Hose Assy	1	
3	R95-8846		Hydraulic Hose Assy	1	
4	R95-8842		Hydraulic Hose Assy	1	
5	R95-8843		Hydraulic Hose Assy	1	
Other Parts Available					
10	R99-3504G		Toolbox Cover Assy - Green	1	
11	R32144-10	R32140-81, R32144-3, R34-140-AMVD	Bolt - 1/4-20 x 3/4 Serrated Hx Wshr	9	
17	R3234-11		Bolt - Hex Washer HD	4	
18	R105-8536G		Arm - Steering - Green	1	
19	R100-4929		Slope Indicator Assy	1	
20	R100-4837		Decal - Danger	1	
21	R321-7	R321-26	Bolt - Hex HD	2	
22	R3256-22	R09061, R24-9-BD, R3-1032, R93-0954, R93-0989	Washer - Flat 1/4 Yellow	4	
23	R301504	R32127-24, R32146-17, R3296-16, R3296-42, R915661P, RM40333	Locknut - ESNA 1/4-20	2	
24	R32128-21	32128-21	Locknut - Flanged 3/8-16 Whiz Top Lock	2	

All original equipment manufacturers names and part numbers are used for identification purposes only, and we are in no way implying that our products are original equipment parts. Prices subject to change without notice.



Replaces R&R Products Reel Max 331LP

Parts

*Traction Unit
Steering Column*



Item No	R&R Part No.	OEM Part No.	Description	Qty Req	Order Quantity
25	R31-0390		Disc- Friction	1	
26	R82-9010		Disc - Friction	1	
27	R80-2930		Washer - Flat	1	
28	R104-5180		Valve - Steering	1	
29	R104-5185G		Bracket - Valve - Steering - Green	1	
30	R80-2880		Bracket - Tilt	1	
31	R453011	3256-24, 453011, R01-166-0100, R01-166-0120, R01-166-0270, R01-166-0500, R01-166-0600, R01-166-0620, R132-4593, R237-12, R24-10-AD, R24-11-AD, R24-11-BD, R24-12-AD, R24-12-BD, R30-9310, R32-8190, R3256-24, R3256-3, R3256-36, R3256-4, R47-9950	Washer - Flat 3/8 SAE Y/Zinc	1	
32	R32128-44		Nut	1	
33	R3218-7	R01-158-0560, R01-191-1210	Nut - Jam	1	
34	R95-8794G		Cover - Valve - Steering - Green	1	
35	R33103-012		Bolt - Flanged Hx HD	4	
36	R150921		Wheel - Steering 16 in	1	

All original equipment manufacturers names and part numbers are used for identification purposes only, and we are in no way implying that our products are original equipment parts. Prices subject to change without notice.



Replaces R&R Products Reel Max 331LP

Parts

*Traction Unit
Steering Column*



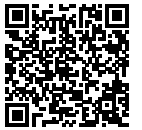
Item No	R&R Part No.	OEM Part No.	Description	Qty Req	Order Quantity
37	R322-5	322-5, R01-178-0508, R19H1905, R20-26-AD, R20-26-AGD, R30-9000, R400188, R513341, R519755, R908019P	Bolt - Hex HD 5/16-18 x 1	1	
38	R99-3502		Boss	1	
39	R95-8798-03	R95-8798	Lever - Steering	1	
40	R400260	R01-178-0605, R18-4100, R19-8270, R323-3, R323-33, R323-34, R323-5	Bolt - Hex HD 3/8-16 x 7/8	2	
41	R93-5988	R93-5204	Hub - Pivot	2	
42	R99-3432-03	R99-3432	End - Toolbox - LH	1	
43	R32128-33		Nut - 1/4-20 Flanged Serr	4	
44	R3234-13	R960151P	Bolt - Flanged Hex 1/4-20	4	
45	R99-3430-03	R99-3430	Bottom - Toolbox	1	
46	R99-3431-03	R99-3431	End - Toolbox - RH	1	
47	R32128-43	R30-8990, R3290-357	Nut - Flanged Whiz - 3/8-16	4	
48	R151712	R108-6471, R112-9177, R94-9024	LED Oval Work Light - 12 LED 30w	1	
49	R3230-1	R01-173-0506, R3230-20, R900037P	Bolt - Carriage 5/16-18 x 3/4	1	

All original equipment manufacturers names and part numbers are used for identification purposes only, and we are in no way implying that our products are original equipment parts. Prices subject to change without notice.



Replaces R&R Products Reel Max 331LP Parts

*Traction Unit
Steering Column*



Item No	R&R Part No.	OEM Part No.	Description	Qty Req	Order Quantity
50	R151016		Bracket - Headlight	1	

All original equipment manufacturers names and part numbers are used for identification purposes only, and we are in no way implying that our products are original equipment parts. Prices subject to change without notice.