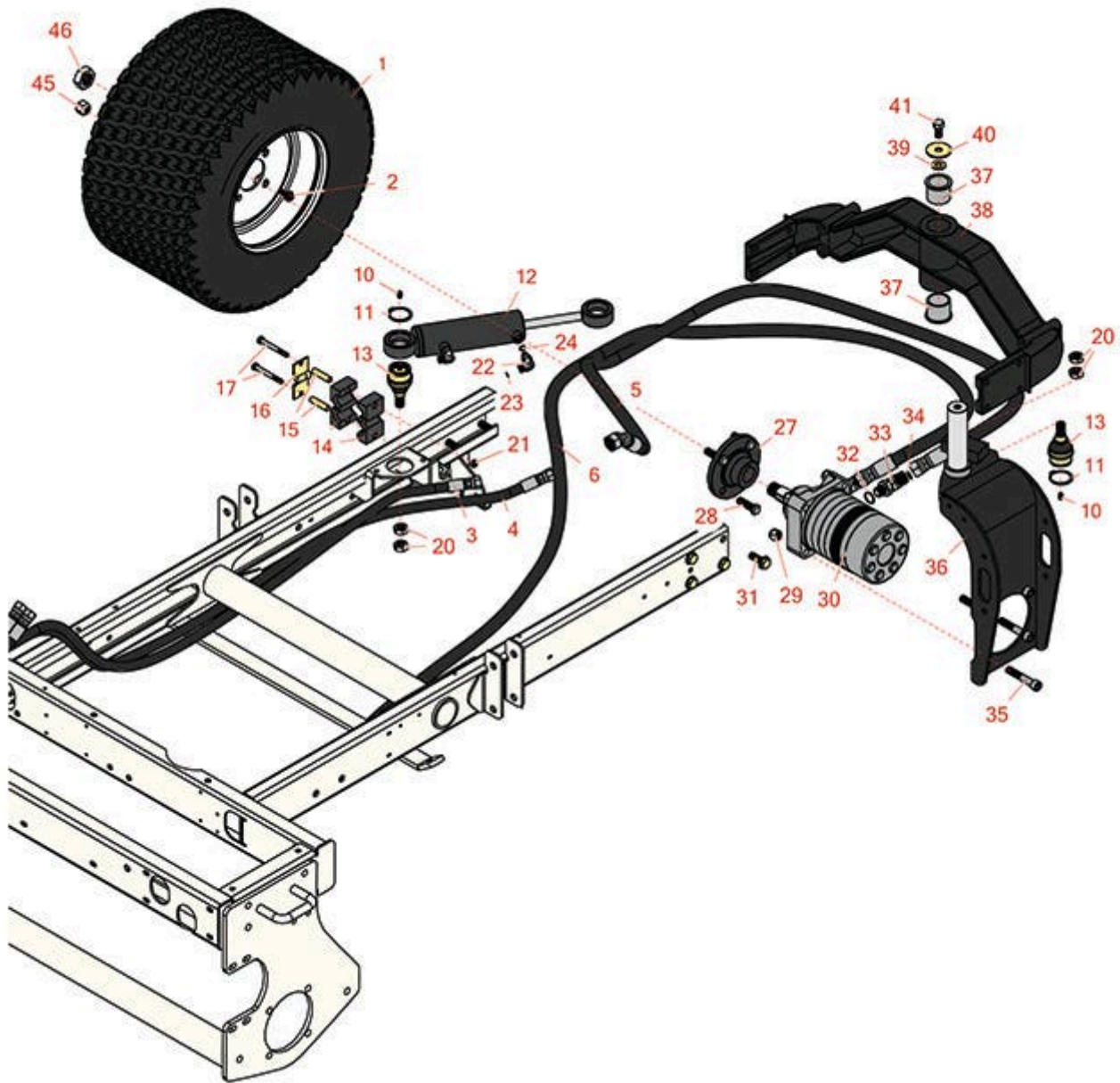




Replaces R&R Products Reel Max 331LP

Parts

Traction Unit
Rear Fork & Wheel



All original equipment manufacturers names and part numbers are used for identification purposes only, and we are in no way implying that our products are original equipment parts. Prices subject to change without notice.



Replaces R&R Products Reel Max 331LP

Parts

Traction Unit
Rear Fork & Wheel



| Item No | R&R Part No. | OEM Part No. | Description | Qty Req | Order Quantity |
|---------|--------------|--------------|-------------|---------|----------------|
|---------|--------------|--------------|-------------|---------|----------------|

Tires

| | | | | | |
|---|------------------|---------------------|---|---|--|
| 1 | RCT50D362 | | Tire - 20x10.00-10 Nhs (4 Ply) Carlisle Turf Trac R/S | 1 | |
| 2 | R232-27 | R232-31, R360111 | Stem - Valve w/ Cap | 1 | |

Hoses

| | | | | | |
|---|------------------|--|---------------------|---|--|
| 3 | R95-8844 | | Hydraulic Hose Assy | 1 | |
| 4 | R95-8845 | | Hydraulic Hose Assy | 1 | |
| 5 | R105-1222 | | Hydraulic Hose Assy | 1 | |
| 6 | R105-1221 | | Hydraulic Hose Assy | 1 | |

Other Parts Available

| | | | | | |
|----|-------------------|--|----------------------|---|--|
| 10 | R302-5 | R173-0, R21-6010, R255825, R302-37, R302-47, R302-57, R302-58, R302-6, R31-0300, R32-9660, R471214, R471223, R471226, R60-0800, R62-3880, R92-4181, RJD7797, RJD7842, RJD7844, RM0004 | Fitting - Grease | 2 | |
| 11 | R32151-104 | | Ring - Retaining, Ex | 2 | |
| 12 | R94-8141 | | Hydraulic Cylinder | 1 | |

All original equipment manufacturers names and part numbers are used for identification purposes only, and we are in no way implying that our products are original equipment parts. Prices subject to change without notice.



Replaces R&R Products Reel Max 331LP Parts

*Traction Unit
Rear Fork & Wheel*



| Item No | R&R Part No. | OEM Part No. | Description | Qty Req | Order Quantity |
|---------|--------------------|--|-----------------------------------|---------|----------------|
| 13 | R106-6774 | R92-5838, R92-5838-01 | Ball Joint | 2 | |
| 14 | R82-8170 | | Clamp | 2 | |
| 15 | R93-7960 | | Spacer | 2 | |
| 16 | R93-7961 | | Clamp - Case Drain | 1 | |
| 17 | R400216 | | Bolt - Hex HD 5/16-18 x 2-3/4 | 2 | |
| 20 | R443828 | R01-191-1018, R3220-6, R915089P | Nut - 5/8-18 Hex | 4 | |
| 21 | R3296-29 | 3296-29, R1-804256, R915662P | Locknut - 5/16-18 ESNA | 2 | |
| 22 | R340-132 | | Hydraulic Fitting - 90 Deg | 2 | |
| 23 | R237-21 | | O-Ring | 2 | |
| 24 | R237-22 | R107-8844, R232-72, R237-78 | O-Ring | 2 | |
| 27 | R10-6870-03 | R10-6870 | Hub - Wheel | 1 | |
| 28 | R10-6830 | | Stud - Wheel 1/2-20 x 1 3/4 | 4 | |
| 29 | RF5003 | 3296-23, R32127-29, R32131-5, R32132-5, R3296-23, R64229-05 | Locknut - ESNA 1/2-13 | 4 | |
| 30 | R95-8694 | | Hydraulic Motor Assy - Rear | 1 | |
| 31 | R3234-38 | | Bolt - Flanged Hex 1/2-13 x 1-1/4 | 8 | |
| 32 | R237-80 | R327-80 | O-Ring | 2 | |

All original equipment manufacturers names and part numbers are used for identification purposes only, and we are in no way implying that our products are original equipment parts. Prices subject to change without notice.



Replaces R&R Products Reel Max 331LP Parts

*Traction Unit
Rear Fork & Wheel*



| Item No | R&R Part No. | OEM Part No. | Description | Qty Req | Order Quantity |
|---------|------------------|--------------|-------------------------------|---------|----------------|
| 33 | R340-14 | R96-0861 | Hydraulic Fitting - 45 Deg | 2 | |
| 34 | R237-65 | | O-Ring | 2 | |
| 35 | R3274-93 | | Bolt - Soc HD Cap | 4 | |
| 36 | R95-8905B | | Fork-Rear - Black | 1 | |
| 37 | R95-8805 | | Bushing - Flanged 1 1/2 in ID | 2 | |
| 38 | R107-7828 | R18-3979-03 | Rear Frame Casting Assy | 1 | |
| 39 | R3255-2 | | Washer - Lock - Ext | 1 | |
| 40 | R75-7730 | | Washer - Thrust | 1 | |
| 41 | R325-3 | | Screw Hex HD | 1 | |
| 45 | R242-50 | | Nut - 1/2-20 Wheel | 4 | |
| 46 | R26-3790 | | Nut - Hex - Wheel Motor 1-20 | 1 | |

All original equipment manufacturers names and part numbers are used for identification purposes only, and we are in no way implying that our products are original equipment parts. Prices subject to change without notice.