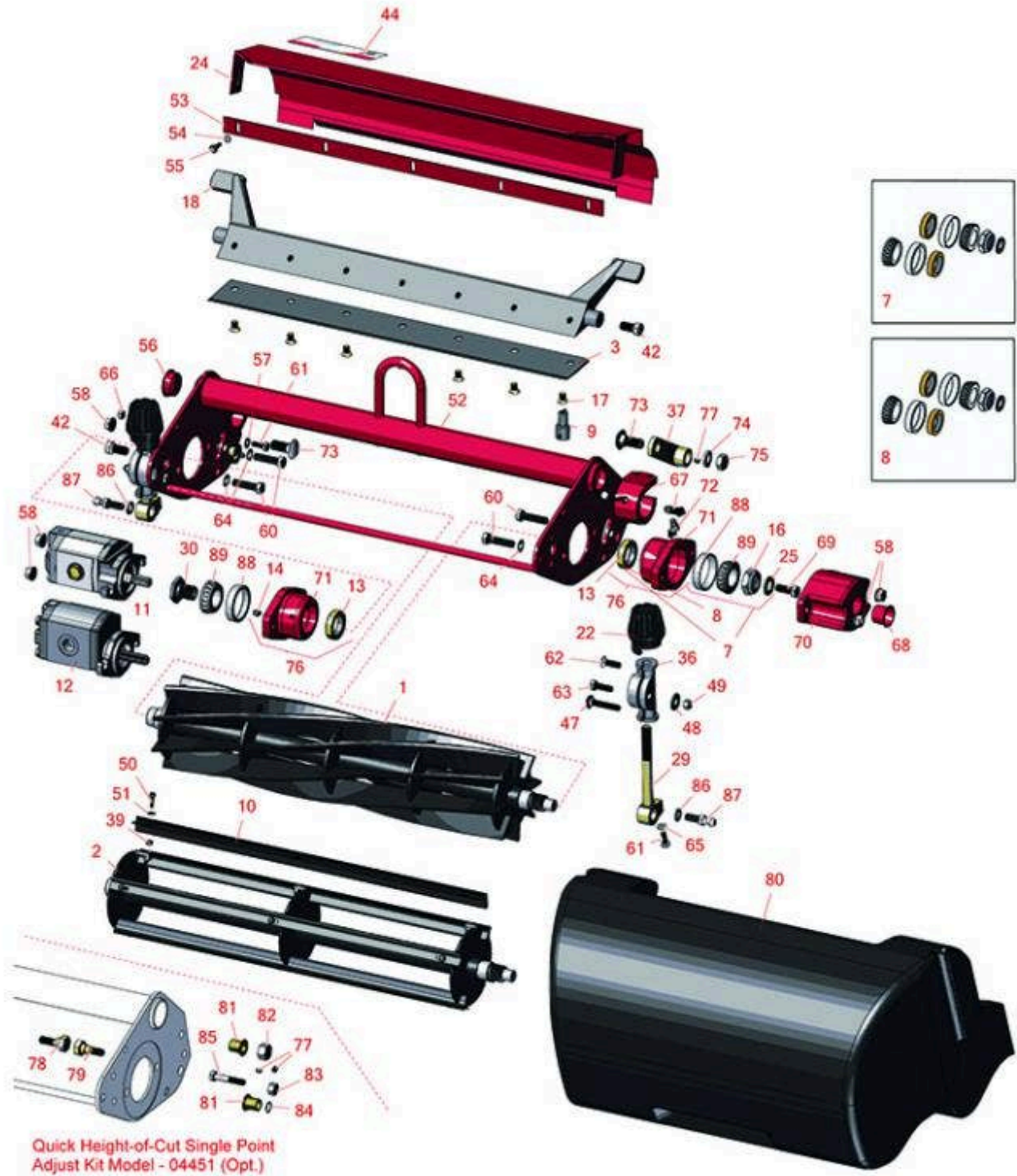




# Replaces Toro Greensmaster 3050 Parts

4-Bolt Cutting Unit - Models 04405, 04406, 04408 & 04409  
Reel & Bedknife



All original equipment manufacturers names and part numbers are used for identification purposes only, and we are in no way implying that our products are original equipment parts. Prices subject to change without notice.



# Replaces Toro Greensmaster 3050 Parts

4-Bolt Cutting Unit - Models 04405, 04406, 04408 & 04409  
Reel & Bedknife



Item No	R&R Part No.	OEM Part No.	Description	Qty Req	Order Quantity
<b>R&amp;R Reels, Lifetime Guaranteed</b>					
1	<b>R5-3200</b>	5-3200	Reel - 4 Blade	1	
1	<b>R5-3205</b>	12-0729, 12-8779, 5-3205	Reel - 5 Blade	1	
1	<b>R5-3215</b>	5-3215	Reel - 5 Blade Heavy Duty	1	
1	<b>R14-0659</b>	14-0659, 57-5300	Reel - 5 Blade Heavy Duty	1	
1	<b>R5-3206</b>	5-3206	Reel - 6 Blade	1	
1	<b>R5-3189</b>	12-3599, 130-6469, 5-3189	Reel - 8 Blade	1	
1	<b>R14-0649</b>	14-0649	Reel - 8 Blade Heavy Duty	1	
1	<b>R5-3189H</b>		Reel - 8 Blade Heavy Duty	1	
1	<b>R5-3195</b>	5-3195	Reel - 9 Blade	1	
1	<b>R12-2789</b>	12-2789, 130-6470	Reel - 11 Blade	1	
1	<b>R150760</b>		Reel - 14 Blade	1	
2	<b>R150480</b>		Brush Reel	1	
<b>R&amp;R Bedknives, Lifetime Guaranteed</b>					
3	<b>R94-6396</b>	10-4900, 54-9150, 94-6396, Oct-00	Bedknife - High Cut 5/16"-1" HOC	1	
3	<b>R150462</b>	63-8610, 94-6396	Bedknife - 7 Hole Thick 5/16	1	

All original equipment manufacturers names and part numbers are used for identification purposes only, and we are in no way implying that our products are original equipment parts. Prices subject to change without notice.



# Replaces Toro Greensmaster 3050 Parts

4-Bolt Cutting Unit - Models 04405, 04406, 04408 & 04409  
Reel & Bedknife



Item No	R&R Part No.	OEM Part No.	Description	Qty Req	Order Quantity
3	<b>R93-4262</b>	65-8250, 93-4262, 93-4263	Bedknife - Micro Cut .062 - .187 HOC	1	
3	<b>R94-6394</b>	51-2610, 63-8550, 94-6394	Bedknife - Tournament 1/8-1/2 HOC	1	
3	<b>R63-8610</b>	63-8610	Bedknife - Fairway Cut .375 - 1.00 HOC	1	
3	<b>R94-6395</b>	17-7040, 19-8880, 62-2510, 63-8500, 94-6395	Bedknife - Low Cut 3/16"-1" HOC	1	

## R&R Razor Tool Steel Bedknives, Lifetime Guaranteed

3	<b>R115-1881</b>	115-1881	Bedknife - Razor Tool Steel - 21 Tournament Cut .125 - .500 HOC	1	
---	------------------	----------	---	---	--

*Tech Note: Razor Tool Steel Bedknives are constructed from high grade tool steel for extended life and optimum cut.:*

3	<b>R115-1880</b>	115-1880	Bedknife - Razor Tool Steel - 21 Micro Cut .062 - .187 HOC	1	
---	------------------	----------	--	---	--

*Tech Note: Razor Tool Steel Bedknives are constructed from high grade tool steel for extended life and optimum cut.:*

## Overhaul Kits & Service Tools

7	<b>R255-300</b>	107-1590	Overhaul Kit - Cutting Unit	0	
---	-----------------	----------	-----------------------------	---	--

*Tech Note: Includes 2 ea: R253-96 Seals, R254-72 Cups, R254-94 Bearings; 1ea: R253-61 Seal, R32127-46 Locknut:*

8	<b>R107-1598</b>	107-1598	Overhaul Kit - Cutting Unit	0	
---	------------------	----------	-----------------------------	---	--

*Tech Note: Includes 2 ea.: R104-3388 Seals, R254-72 Bearing Cups & R254-94 Bearings; 1 ea: R253-61 Seal & R32127-46 Locknut:*

9	<b>R51-0880</b>	51-0880	Bedknife Screw Driver Tool	0	
---	-----------------	---------	----------------------------	---	--

All original equipment manufacturers names and part numbers are used for identification purposes only, and we are in no way implying that our products are original equipment parts. Prices subject to change without notice.



# Replaces Toro Greensmaster 3050 Parts

4-Bolt Cutting Unit - Models 04405, 04406, 04408 & 04409  
Reel & Bedknife



Item No	R&R Part No.	OEM Part No.	Description	Qty Req	Order Quantity
<b>Other Parts Available</b>					
10	<b>R150481</b>		Brush Assy - Brush Reel	4	
11	<b>R105-9770</b>	10-5090, 105-9770, 26-5690, 70-9800, 94-3506, 94-3507	Hydraulic Motor - Reel Quick Release	1	
<i>Tech Note: Fits Models 3000,3050 &amp; 3100:</i>					
12	<b>R120-2072</b>	100-6426, 108-6487, 112-9200, 120-2072, 93-1375	Hydraulic Gear Motor	1	
<i>Tech Note: Fits Models 3150 &amp; 3250-D:</i>					
13	<b>R253-96</b>	253-96	Seal - Oil Single Lip Reel	2	
13	<b>R104-3388</b>	104-3388	Seal - Double Lip Bearing Housing	2	
14	<b>R302-5</b>	21-6010, 302-11, 302-37, 302-47, 302-5, 302-57, 302-58, 302-6, 31-0300, 32-9660, 60-0800, 62-3880, 92-4181	Fitting - Grease	6	
16	<b>R32127-46</b>	32127-46, 3296-60	Locknut	1	

All original equipment manufacturers names and part numbers are used for identification purposes only, and we are in no way implying that our products are original equipment parts. Prices subject to change without notice.



# Replaces Toro Greensmaster 3050 Parts

4-Bolt Cutting Unit - Models 04405, 04406, 04408 & 04409  
Reel & Bedknife



Item No	R&R Part No.	OEM Part No.	Description	Qty Req	Order Quantity
17	<b>R150476</b>	3-3816, 3-6462, 52-4910, 57-4910	Screw - Bedknife 5/16-18 x 5/8	7	
17	<b>R150475</b>	3-6462, 3-6642	Screw - Bedknife Stainless 5/16-18 x 5/8	7	
<i>Tech Note: Pre-Packaged in bags of 50:</i>					
18	<b>R10-4930</b>	10-4930, 10-4930-01	Bed Bar	1	
22	<b>R65-8600</b>	10-5040, 65-8600	Knob - Height Adjusting	2	
24	<b>R36-7190</b>	36-7190	Deflector - Grass	1	
25	<b>R253-61</b>	253-61	Seal - Oil Reel	1	
29	<b>R10-5010</b>	10-5010	Screw - Roller Adjustment	2	
30	<b>R10-5100</b>	10-5100	Nut - Splined 1-1/8 Long	1	
30	<b>R93-1394</b>	93-1394	Nut - Splined RH Thrd .812 Long	1	
36	<b>R10-5060</b>	10-5060	Bracket - Roller Adj	2	
37	<b>R27-2650</b>	27-2650	Height Adjustment Assy	2	
39	<b>R3296-9</b>	32127-17, 3296-9	Locknut - Comb	12	
42	<b>R315298</b>	217-74, 31-1070	Bolt - Bed Bar	2	
44	<b>R354083</b>	104-7729, 354083	Decal - Danger	1	
47	<b>R441674</b>	01-173-0514, 01-173-0516, 3-7253, 3230-5	Screw - 5/16-18 x 1-3/4 Carriage	2	

All original equipment manufacturers names and part numbers are used for identification purposes only, and we are in no way implying that our products are original equipment parts. Prices subject to change without notice.



# Replaces Toro Greensmaster 3050 Parts

4-Bolt Cutting Unit - Models 04405, 04406, 04408 & 04409  
Reel & Bedknife



Item No	R&R Part No.	OEM Part No.	Description	Qty Req	Order Quantity
48	<b>R453009</b>	01-166-0400, 24-10-BD, 24-9-AD, 32-9650, 3256-2, 3256-23, 3256-3, 3256-67, 3290-217, 3556-3, 4-2390, 7-0152	Washer - Flat 5/16 SAE	6	
49	<b>R32153-3</b>	119-4038, 22-12-AJFD, 32127-35, 32146-5, 32153-3, 3296-18, 3296-29, 3296-31, N/A	Locknut - 5/16-18 ESNA Zinc	2	
50	<b>R150425</b>		Bolt - Hex HD 8-32 x 5/8	12	
51	<b>R150426</b>	3256-21	Washer - 8 SAE	12	
52	<b>R70-1100</b>	36-7230, 70-1100, 70-1100-01	Frame	1	
53	<b>R36-7260</b>	36-7260	Bar - Cut Off Grass Shield	1	
54	<b>R3256-14</b>	24-7-BD, 32125-2, 3256-14, 3256-51, 51-2170	Washer - 10 Flat	5	
55	<b>R32144-73</b>	104-2065, 32144-73	Screw - Machine Hex Washer Head	5	
56	<b>R285-14</b>	285-14	Plug - Pipe Frame	2	
57	<b>R3255-8</b>	3255-8	Washer - Lock 5/16 Ext	2	

All original equipment manufacturers names and part numbers are used for identification purposes only, and we are in no way implying that our products are original equipment parts. Prices subject to change without notice.



## Replaces Toro Greensmaster 3050 Parts

4-Bolt Cutting Unit - Models 04405, 04406, 04408 & 04409  
Reel & Bedknife



Item No	R&R Part No.	OEM Part No.	Description	Qty Req	Order Quantity
58	<b>R3296-39</b>	32127-25, 32128-36, 3290-357, 3296-17, 3296-22, 3296-39, 915663P, 99-7443	Locknut - 3/8-16 Nylon	2	
60	<b>R323-53</b>	323-53, 57-3210	Bolt - Hex HD 3/8-16 x 1-3/4	4	
61	<b>R321-4</b>	01-150-1030, 01-178-0406, 20-3-AGD, 321-4, 3222-1	Bolt - Hex HD 1/4-20 x 3/4	4	
61	<b>R321-5</b>	321-31, 321-5	Bolt - Hex HD 1/4-20 x 7/8	2	
62	<b>R32108-20</b>	32108-20	Screw - Flat HD Cntrsunk	2	
63	<b>R322-5</b>	01-178-0508, 20-26-AD, 20-26-AGD, 30-9000, 322-5, 513341, 519755, 908019P, N/A	Bolt - Hex HD 5/16-18 x 1	2	
64	<b>R3255-9</b>	3255-9	Washer - Lock 3/8 Ext. Star	4	
65	<b>R3253-3</b>	01-166-0070, 01-166-0410, 23-9-GD, 24-7150, 3253-3, 3256-1, 352-167	Washer - Lock 1/4	4	

All original equipment manufacturers names and part numbers are used for identification purposes only, and we are in no way implying that our products are original equipment parts. Prices subject to change without notice.



# Replaces Toro Greensmaster 3050 Parts

4-Bolt Cutting Unit - Models 04405, 04406, 04408 & 04409  
Reel & Bedknife



Item No	R&R Part No.	OEM Part No.	Description	Qty Req	Order Quantity
66	<b>R301504</b>	2296-42, 301504, 32127-24, 32128-33, 32146-17, 3296-16, 3296-42, 3296-42 , 915661P	Locknut - ESNA 1/4-20	2	
67	<b>R3243-13</b>	3243-13	Screw - Bed Bar Adjusting	4	
68	<b>R12-0460</b>	12-0460	Caplug - End Cap	1	
69	<b>R323-2</b>	01-178-0604, 323-2	Bolt - Hex HD 3/8-16 x 1	1	
70	<b>R10-5080</b>	10-5080, 10-5080-01	End - Cap Reel Brg Housing	1	
71	<b>R10-5120</b>	10-5120	Housing - Bearing Reel	2	
<i>Tech Note: Includes R253-96 &amp; R254-72:</i>					
72	<b>R302-40</b>	302-13, 302-40	Fitting - Grease	1	
73	<b>R3233-26</b>	3233-26	Bolt - Carriage 1/2-13 x 1-1/4	2	
74	<b>R3253-7</b>	01-166-0030, 01-166-0080, 01-166-0290, 01-166-0810, 23-13-GD, 3253-7, 48-9380	Washer - Lock 1/2	2	
75	<b>R443118</b>	01-188-0813, 22-15-AJD, 3217-9	Nut - 1/2-13 Zinc	2	
76	<b>R104-3399</b>	104-3399	Housing Assy - Bearing Reel	2	
77	<b>R3290-125</b>	3290-125	Screw - Set 1/4-20 x 5/16	2	

All original equipment manufacturers names and part numbers are used for identification purposes only, and we are in no way implying that our products are original equipment parts. Prices subject to change without notice.





# Replaces Toro Greensmaster 3050 Parts

4-Bolt Cutting Unit - Models 04405, 04406, 04408 & 04409  
Reel & Bedknife



Item No	R&R Part No.	OEM Part No.	Description	Qty Req	Order Quantity
78	<b>R52-3100</b>	52-3100	Bolt - Eccentric Shoulder LH	2	
79	<b>R52-3110</b>	52-3110	Bolt - Shoulder HOC RH	1	
80	<b>R36-7250</b>	22-7070, 36-7250, 37-8130, Oct-30	Grass Basket	1	
81	<b>R256-155</b>	256-155, 265-155	Bushing - Flanged	2	
82	<b>R32146-11</b>	22-15-AJF, 22-15-BJFD, 32146-11, 32153-14, 32153-7	Locknut - 1/2-20 Center	2	
83	<b>RP457-2</b>	01-191-0518, 22-12-AJK, 3218-2, 513299, P457-2	Nut - Jam 5/16-18 Zinc	2	
84	<b>R32151-84</b>	32120-3, 32120-80, 32151-84	Ring - Shaft - Ext	2	
85	<b>R19H3130</b>	322-9, 3223-5	Bolt - Hex HD 5/16-18 x 1-3/4	2	
86	<b>R3254-6</b>	01-166-0010, 01-166-0280, 01-166-0610, 3253-5, 3254-18, 3254-6, 3290-223, 48-9370	Washer - Lock 3/8	2	
87	<b>R94-2958</b>	94-2958	Stud - Alloy Ball Joint	2	

All original equipment manufacturers names and part numbers are used for identification purposes only, and we are in no way implying that our products are original equipment parts. Prices subject to change without notice.



# Replaces Toro Greensmaster 3050 Parts

4-Bolt Cutting Unit - Models 04405, 04406, 04408 & 04409  
Reel & Bedknife



Item No	R&R Part No.	OEM Part No.	Description	Qty Req	Order Quantity
88	<b>R254-72</b>	01-103-0050, 01-103-0120, 01-103-0140, 1-543508, 254-71, 254-72, 40439, 62-3340, 99-4511	Cup - Bearing	2	
89	<b>R254-94</b>	1-543509, 254-94, 32-8090, 32-8240, 32-9640, 40440, 62-3330	Tapered Bearing Cone	2	

All original equipment manufacturers names and part numbers are used for identification purposes only, and we are in no way implying that our products are original equipment parts. Prices subject to change without notice.