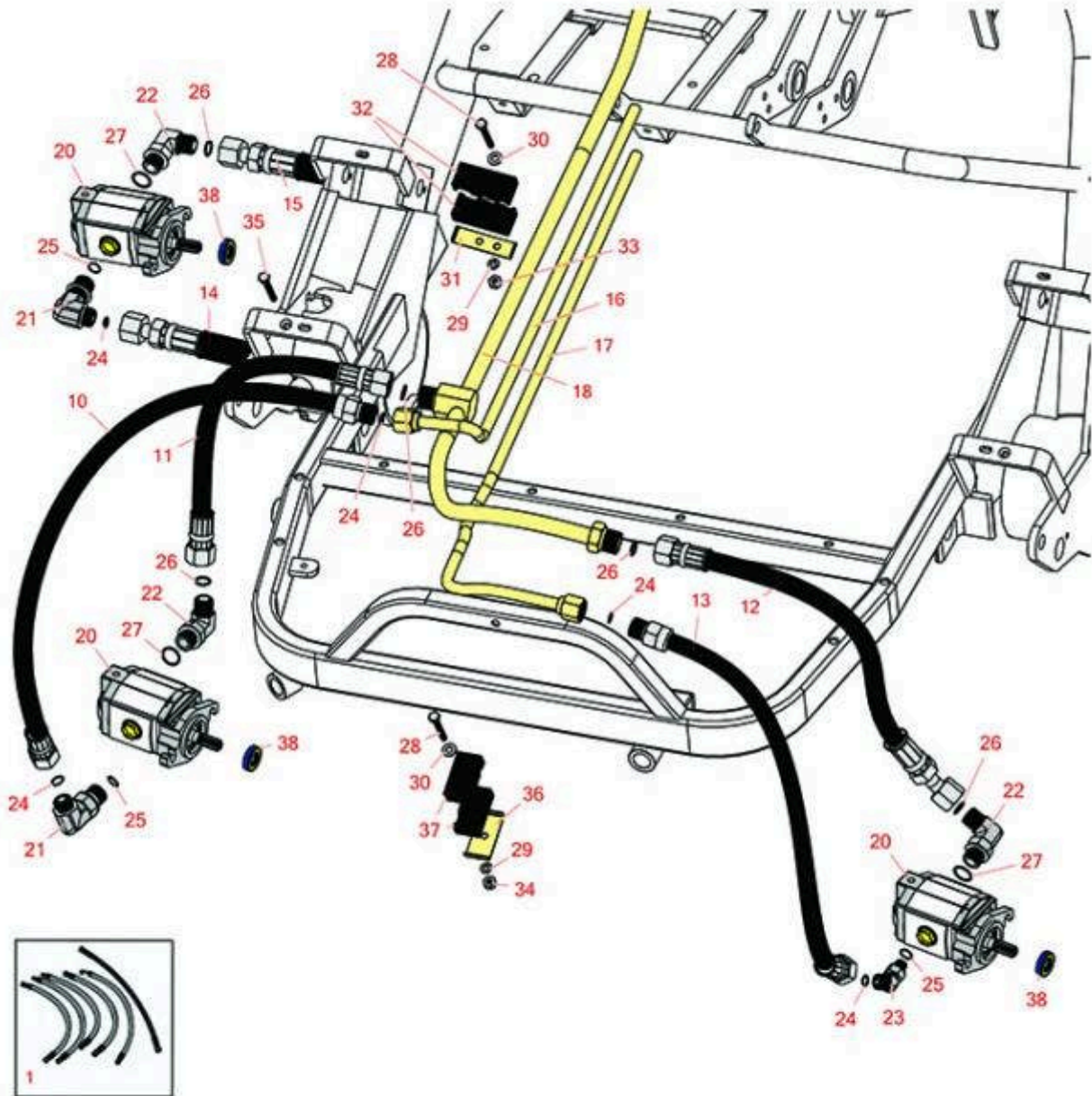




# Replaces Toro Greensmaster 3050 Parts

*Traction Unit - Model 04351*

*Hydraulic Reel Motors*



All original equipment manufacturers names and part numbers are used for identification purposes only, and we are in no way implying that our products are original equipment parts. Prices subject to change without notice.



# Replaces Toro Greensmaster 3050 Parts

Traction Unit - Model 04351

Hydraulic Reel Motors



Item No	R&R Part No.	OEM Part No.	Description	Qty Req	Order Quantity
---------	--------------	--------------	-------------	---------	----------------

## Overhaul Kits

1	<b>R98-0642</b>	98-0642	Kit - Hydraulic Hose	1	
---	-----------------	---------	----------------------	---	--

*Tech Note: Includes 1 ea: R95-5984, R95-5985, R95-5986, R95-5987, R95-5988, R95-5989:*

## Hoses

10	<b>R95-5984</b>	95-5984	Hydraulic Hose Assy - RH Pressure	1	
----	-----------------	---------	-----------------------------------	---	--

10	<b>R63-3810</b>	63-3810, 95-5984	Hydraulic Hose Assy - RH Pressure	1	
----	-----------------	---------------------	-----------------------------------	---	--

11	<b>R95-5985</b>	63-3820, 95-5985	Hydraulic Hose Assy	1	
----	-----------------	---------------------	---------------------	---	--

12	<b>R150630</b>		Hydraulic Hose Assy - LH Return	1	
----	----------------	--	---------------------------------	---	--

12	<b>R63-3830</b>	63-3830, 95-5989	Hydraulic Hose Assy - LH Return	1	
----	-----------------	---------------------	---------------------------------	---	--

*Tech Note: Hydraulic hose includes protective sleeving.:*

13	<b>R150634</b>		Hydraulic Hose Assy - LH Pressure	1	
----	----------------	--	-----------------------------------	---	--

13	<b>R63-3870</b>	63-3870, 95-5988	Hydraulic Hose Assy - LH Pressure	1	
----	-----------------	---------------------	-----------------------------------	---	--

*Tech Note: Hydraulic hose includes protective sleeving.:*

14	<b>R150633</b>		Hydraulic Hose Assy - Rear Pressure	1	
----	----------------	--	-------------------------------------	---	--

15	<b>R150631</b>		Hose - Rear Motor Return	1	
----	----------------	--	--------------------------	---	--

16	<b>R63-4030</b>	63-4030	Tube - Hyd	1	
----	-----------------	---------	------------	---	--

17	<b>R63-4020</b>	63-4020	Tube - Hyd	1	
----	-----------------	---------	------------	---	--

18	<b>R100-6431</b>	100-6431, 63-4040	Tube - Return	1	
----	------------------	----------------------	---------------	---	--

## Other Parts Available

All original equipment manufacturers names and part numbers are used for identification purposes only, and we are in no way implying that our products are original equipment parts. Prices subject to change without notice.



# Replaces Toro Greensmaster 3050 Parts

*Traction Unit - Model 04351*

*Hydraulic Reel Motors*



Item No	R&R Part No.	OEM Part No.	Description	Qty Req	Order Quantity
20	<b>R105-9770</b>	10-5090, 105-9770, 26-5690, 70-9800, 94-3506, 94-3507	Hydraulic Motor - Reel Quick Release	3	
21	<b>R340-77</b>	340-100, 340-77, 95-7889	Hydraulic Fitting	2	
22	<b>R340-98</b>	340-98	Hydraulic Fitting	3	
23	<b>R340-87</b>	340-106, 340-87	Hydraulic Fitting	1	
24	<b>R237-22</b>	107-8844, 237-22, 237-78	O-Ring	5	
25	<b>R237-42</b>	237-42, 31-4160	O-Ring	3	
26	<b>R237-30</b>	23-6320, 237-30	O-Ring - Seal	5	
27	<b>R237-79</b>	237-79	O-Ring	3	
28	<b>R3234-34</b>	321-11, 323-12, 3234-34	Bolt - Hex Washer 1/4 x 2	1	
29	<b>R3253-3</b>	01-166-0070, 01-166-0410, 23-9-GD, 24-7150, 3253-3, 3256-1, 352-167	Washer - Lock 1/4	1	

All original equipment manufacturers names and part numbers are used for identification purposes only, and we are in no way implying that our products are original equipment parts. Prices subject to change without notice.



# Replaces Toro Greensmaster 3050 Parts

*Traction Unit - Model 04351*

*Hydraulic Reel Motors*



Item No	R&R Part No.	OEM Part No.	Description	Qty Req	Order Quantity
30	<b>R3256-22</b>	24-9-BD, 3-1032, 3256-1, 3256-22, 93-0954, 93-0989	Washer - Flat 1/4 Yellow	3	
31	<b>R83-1220</b>	83-1220	Plate - Clamp - Hyd Lines	1	
32	<b>R57-6140</b>	57-6140	Clamp - Half - Hyd Line	2	
33	<b>R301504</b>	2296-42, 301504, 32127-24, 32128-33, 32146-17, 3296-16, 3296-42, 3296-42 , 915661P	Locknut - ESNA 1/4-20	2	
34	<b>R32128-33</b>	32128-33	Nut - 1/4-20 Flanged Serr	1	
35	<b>R32108-100</b>	32108-100	Screw - 1/4-20 x 2-1/4 Soc Flat HD	1	
36	<b>R69-9760</b>	69-9760	Cover Plate - Hyd Line Clamp	1	
37	<b>R56-7970</b>	56-7970	Plastic Clamp	2	
38	<b>R353-585</b>	353-585, 353-587, 354-34, 72-4380, 75-1210, 75-1270, 92-8863, 92-8864	Seal - High Pressure - Reel Motor	3	

All original equipment manufacturers names and part numbers are used for identification purposes only, and we are in no way implying that our products are original equipment parts. Prices subject to change without notice.