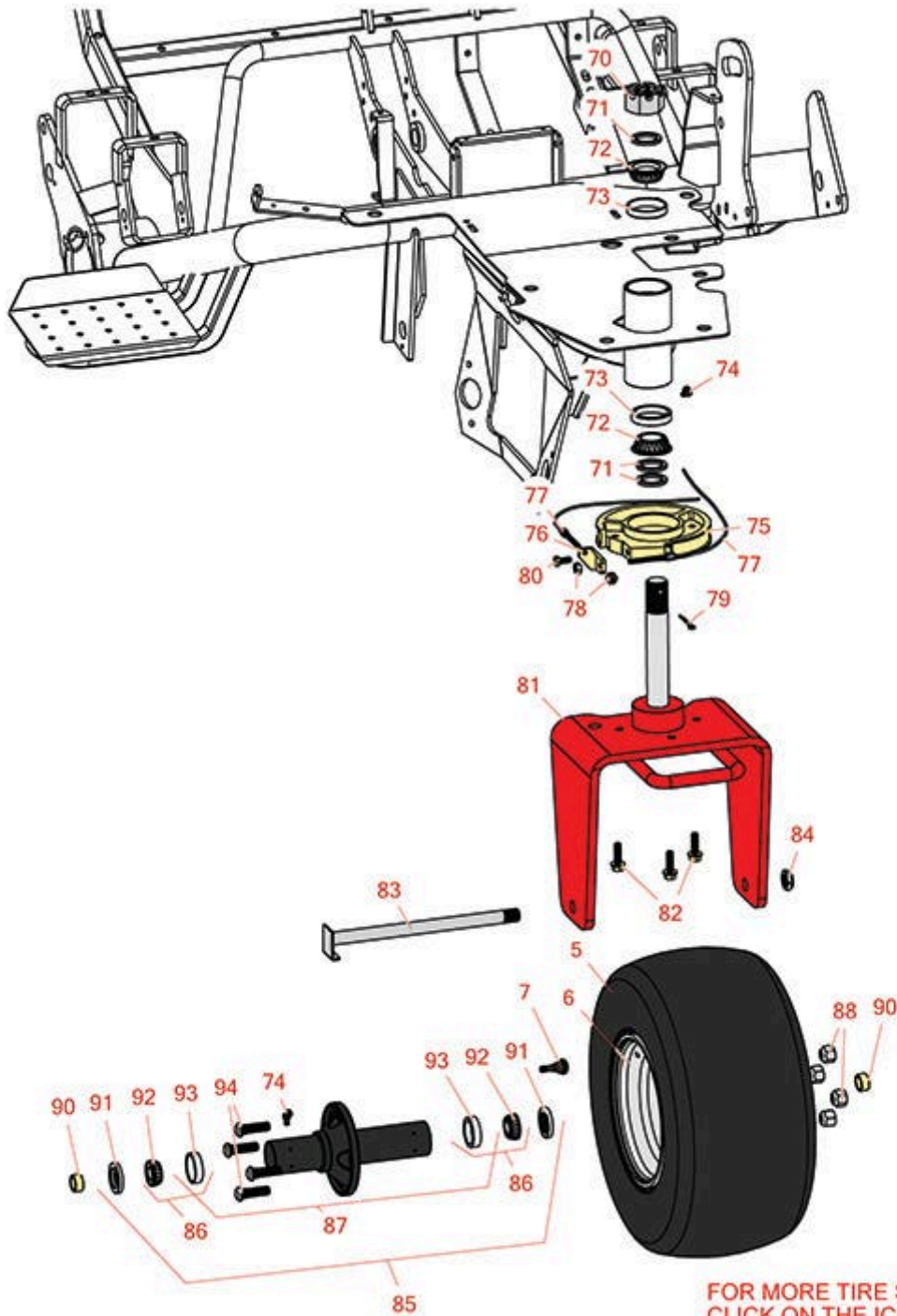




Replaces Toro Greensmaster 3050 Parts

Traction Unit - Model 04351

Rear Wheel



FOR MORE TIRE SELECTIONS PLEASE
CLICK ON THE ICON ABOVE

All original equipment manufacturers names and part numbers are used for identification purposes only, and we are in no way implying that our products are original equipment parts. Prices subject to change without notice.



Replaces Toro Greensmaster 3050 Parts

Traction Unit - Model 04351

Rear Wheel



Item No	R&R Part No.	OEM Part No.	Description	Qty Req	Order Quantity
Tires					
5	RCT510981		Tire - 18 - 9.50 x 8 (4 Ply) Carlisle Smooth	1	
5	RTK958-4SM-I	28-3680	Tire - 18x9.50-8 (4 Ply) Kenda Smooth	1	
5	R150314		Tire w/Wheel - 18x9.50-8 (2 Ply) Carlisle Smooth	1	
5	R700141	232-37, 232-47	Tube - 18x6.50/7.50/8.50/9.50-8 TR13	1	
6	R217-60	217-60, 242-49	Wheel - with Valve Stem - White	1	
7	R232-27	232-27, 232-31	Stem - Valve w/ Cap	1	
Other Parts Available					
70	R32136-9	32136-9	Nut - 1-1/4-12 Slotted	1	
71	R18-6320	18-6320	Washer - Steering Fork	4	
72	R254-70	115-9472, 254-70	Tapered Bearing Cone - w/Seal	2	
73	R254-61	01-103-0090, 115-9471, 254-61, 92-0611, 93-4850	Cup	2	
74	R700414	302-11, 302-19, 302-4, 32-8170	Zerk - Grease 1/4-28 45 Deg	1	
75	R95-5955-01	95-5955, 95-5955-01	Drum - Steering	1	
76	R95-5956	95-5956	Cable Anchor Assy	1	
77	R95-5965	95-5965	Cable - Steering Fits 3050	1	

All original equipment manufacturers names and part numbers are used for identification purposes only, and we are in no way implying that our products are original equipment parts. Prices subject to change without notice.



Replaces Toro Greensmaster 3050 Parts

Traction Unit - Model 04351

Rear Wheel



Item No	R&R Part No.	OEM Part No.	Description	Qty Req	Order Quantity
78	R444754	01-189-0518, 3296-4	Locknut - 5/16-24 Center	2	
79	R3272-37	3272-37	Pin - Cotter 1/4 x 2-1/2	1	
80	R322-3	01-150-1420, 01-178-0506, 20-24-AD, 20-24-AGD, 322-3, 48-9270, 513339, 908017P	Bolt - Hex HD 5/16-18 x 3/4	1	
81	R95-5952-01	95-5952, 95-5952-01	Caster Fork	1	
82	R3234-24	3234-24, 3234-8, 66-9301	Bolt - Hex Ser Was HD 3/8-16 x 1-1/4	3	
83	R5-3934	5-3934	Bolt - Steering Caster Fork	1	
84	R3296-15	116-7306, 32118-5, 32127-23, 32127-47, 3296-15	Locknut - 3/4-16 Nylon Jam	1	
85	R72-9710	72-9710	Hub Assy - Rear Tire	1	
86	R500534	1-633585	Bearing - with Cup	2	
87	R75-9440	217-95, 75-9440	Hub - Rear Wheel - Incl Wheel Studs	1	
88	R242-50	242-50	Nut - 1/2-20 Wheel	4	
90	R74-3730	217-96, 74-3730	Spacer	2	
91	R253-111	253-108, 253-111	Seal	2	

All original equipment manufacturers names and part numbers are used for identification purposes only, and we are in no way implying that our products are original equipment parts. Prices subject to change without notice.



Replaces Toro Greensmaster 3050 Parts

Traction Unit - Model 04351

Rear Wheel



Item No	R&R Part No.	OEM Part No.	Description	Qty Req	Order Quantity
92	R254-78	01-102-0060, 01-102-0130, 1-633585, 254-78, 32-7790, 32-9580, 93-4813	Tapered Bearing Cone	2	
93	R254-79	01-103-0060, 01-103-0130, 1-633584, 252-106, 254-79, 32-7800, 32-9590	Cup - Bearing	2	
<i>Tech Note: Use R254-79M installation mandrel to properly install race.:</i>					
94	R10-6830S	10-6830	Stud - Drive - Hub	4	
94	R10-6830	10-6830, 75-9440	Stud - Wheel 1/2-20 x 1 3/4	4	

All original equipment manufacturers names and part numbers are used for identification purposes only, and we are in no way implying that our products are original equipment parts. Prices subject to change without notice.