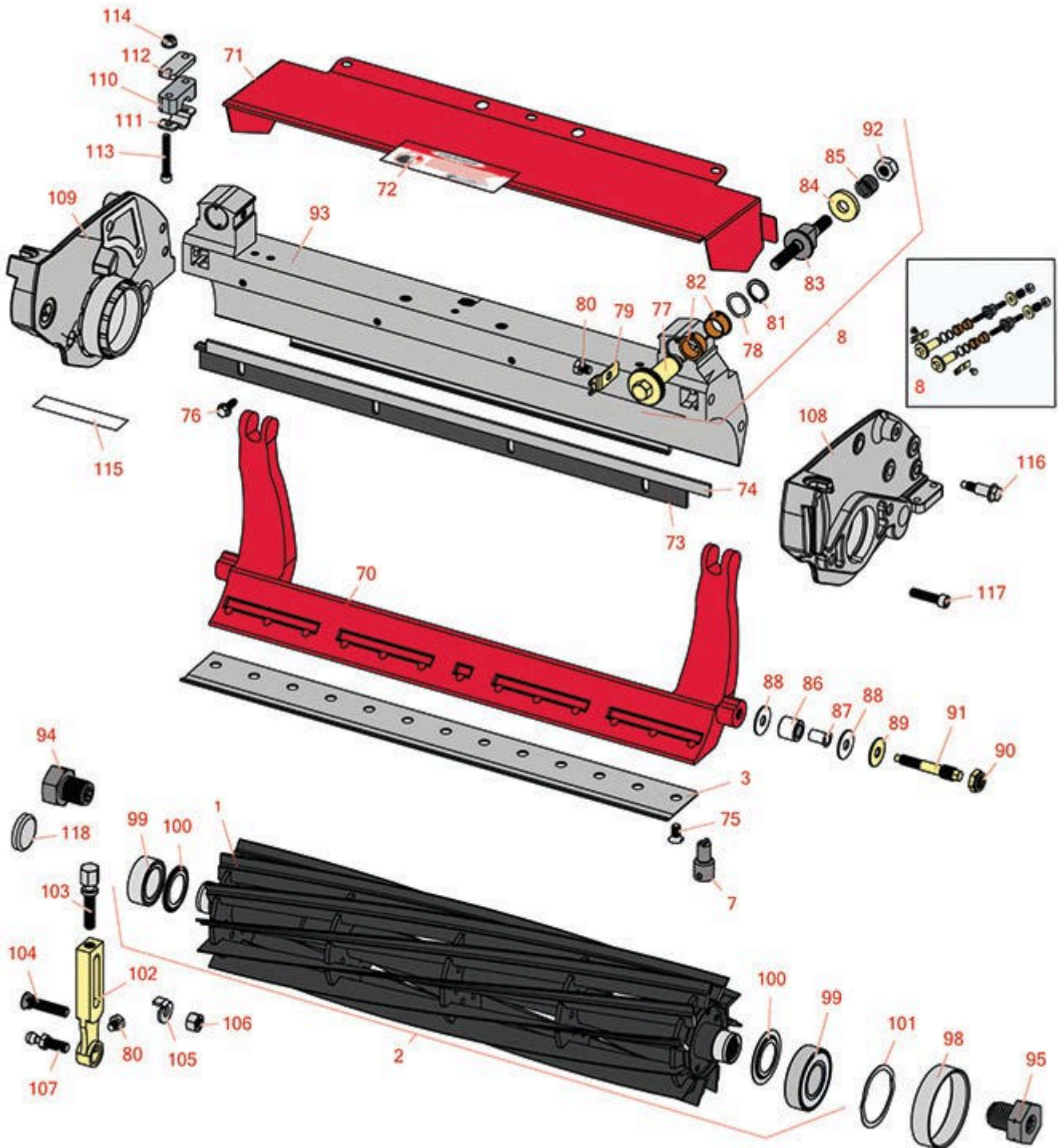




# Replaces Toro Greensmaster 3120 Parts

DPA Cutting Unit - Models 04652, 04654 & 04656  
Reel & Bedknife



All original equipment manufacturers names and part numbers are used for identification purposes only, and we are in no way implying that our products are original equipment parts. Prices subject to change without notice.



# Replaces Toro Greensmaster 3120 Parts

DPA Cutting Unit - Models 04652, 04654 & 04656  
Reel & Bedknife



Item No	R&R Part No.	OEM Part No.	Description	Qty Req	Order Quantity
---------	--------------	--------------	-------------	---------	----------------

## R&R Reels, Lifetime Guaranteed

1	<b>R132-7340</b>	132-7340	Reel - 8 Blade Razor Series Low Drag	1
---	------------------	----------	--------------------------------------	---

*Tech Note: Uses special high alloy premium steel reel blades:*

1	<b>R132-7341</b>	132-7341	Reel - 11 Blade Razor Series Low Drag 21	1
---	------------------	----------	--	---

*Tech Note: Uses special high alloy premium steel reel blades:*

1	<b>R132-7342</b>	132-7342	Reel - 14 Blade Razor Series Low Drag 21	1
---	------------------	----------	--	---

*Tech Note: Uses special high alloy premium steel reel blades:*

2	<b>R137-8511</b>	137-8511	Reel - 8 Blade Razor Series Low Drag w/Bearings and Seals 21	1
---	------------------	----------	--	---

*Tech Note: Uses special high alloy premium steel reel blades:*

2	<b>R137-8512</b>	137-8512	Reel - 11 Blade Razor Series Low Drag w/Bearings and Seals 21	1
---	------------------	----------	---	---

*Tech Note: Uses special high alloy premium steel reel blades:*

2	<b>R137-8513</b>	137-8513	Reel - 14 Blade Razor Series Low Drag w/Bearings and Seals 21	1
---	------------------	----------	---	---

*Tech Note: Uses special high alloy premium steel reel blades:*

## R&R Bedknives, Lifetime Guaranteed

3	<b>R150466</b>	63-8600, 64-6393, 94-6393	Bedknife - Super Thick .312 - 1.00 HOC	1
---	----------------	---------------------------------	--	---

3	<b>R108-4302</b>	108-4301, 108-4302	Bedknife - Tournament Cut Extended .125 - .500 HOC	1
---	------------------	-----------------------	--	---

3	<b>R93-4262</b>	65-8250, 93-4262, 93-4263	Bedknife - Micro Cut .062 - .187 HOC	1
---	-----------------	---------------------------------	--------------------------------------	---

All original equipment manufacturers names and part numbers are used for identification purposes only, and we are in no way implying that our products are original equipment parts. Prices subject to change without notice.



# Replaces Toro Greensmaster 3120 Parts

DPA Cutting Unit - Models 04652, 04654 & 04656  
Reel & Bedknife



Item No	R&R Part No.	OEM Part No.	Description	Qty Req	Order Quantity
3	<b>R93-4263</b>	63-8560, 66-9320, 93-4263, 93-6039	Bedknife - Tournament Cut .125 - .500 HOC	1	
3	<b>R93-4264</b>	57-4960, 63-8470, 93-4264	Bedknife - Low Cut .187 - 1.00 HOC	1	
3	<b>R94-6392</b>	62-2500, 94-6392	Bedknife - High Cut .312 - 1.00 HOC	1	
3	<b>R108-4303</b>	104-7720, 108-4303	Bedknife - Micro Cut Extended .062 - .187 HOC	1	
3	<b>R63-8610</b>	63-8610	Bedknife - Fairway Cut .375 - 1.00 HOC	1	
3	<b>R94-6396</b>	10-4900, 54-9150, 94-6396, Oct-00	Bedknife - High Cut 5/16"-1" HOC	1	

## **R&R Razor Tool Steel Bedknife, Lifetime Guaranteed**

3	<b>R112-7475</b>	112-7475	Bedknife - Razor Tool Steel - 22 x 3/8 Fairway	1	
<i>Tech Note: Razor Tool Steel Bedknives are constructed from high grade tool steel for extended life and optimum cut.:</i>					
3	<b>R115-1880</b>	115-1880	Bedknife - Razor Tool Steel - 21 Micro Cut .062 - .187 HOC	1	
<i>Tech Note: Razor Tool Steel Bedknives are constructed from high grade tool steel for extended life and optimum cut.:</i>					
3	<b>R115-1881</b>	115-1881	Bedknife - Razor Tool Steel - 21 Tournament Cut .125 - .500 HOC	1	
<i>Tech Note: Razor Tool Steel Bedknives are constructed from high grade tool steel for extended life and optimum cut.:</i>					

## **Overhaul Kit**

7	<b>R51-0880</b>	51-0880	Bedknife Screw Driver Tool	1	
---	-----------------	---------	----------------------------	---	--

All original equipment manufacturers names and part numbers are used for identification purposes only, and we are in no way implying that our products are original equipment parts. Prices subject to change without notice.



# Replaces Toro Greensmaster 3120 Parts

DPA Cutting Unit - Models 04652, 04654 & 04656  
Reel & Bedknife



Item No	R&R Part No.	OEM Part No.	Description	Qty Req	Order Quantity
8	<b>R121-2637</b>	121-2637	Overhaul Kit - DPA Adjusters	1	

*Tech Note: Incl: 2 ea. items 77,78,81,84,85,110 & 4 ea. item 82:*

## Other Parts Available

70	<b>R106-2648-01</b>	106-2648-01	Bed Bar	1	
70	<b>R99-3794-01</b>	99-3794-01, 99-3794-03	Bed Bar - Aggressive	1	
71	<b>R119-4095</b>	119-4095	Grass Shield Assy	1	
72	<b>R354083</b>	104-7729, 354083	Decal - Danger	1	
73	<b>R115-3303-03</b>	115-3303-03	Bar - Cutoff	1	
74	<b>R106-2619</b>	106-2619	Seal - Strip	1	
75	<b>R119-4151</b>	119-4151	Screw - Bedknife 5/16-18 x 17/32	13	
76	<b>R131-6150</b>	131-6150	Screw- 1/4-20 x 3/4 Hx Wh Thread Forming	4	
77	<b>R106-5363</b>	106-5363	Shaft - Adjusting - Bed Bar - Stainless	2	
78	<b>R119-4164</b>	119-4164	Washer - Wave	2	
79	<b>R99-2097</b>	99-2097	Detent - Bed Bar Adjuster	2	
80	<b>R114-9396</b>	114-9396, 119-4067	Bolt - Hex HD 5/16-18 x 3/8	6	
81	<b>R32120-93</b>	32120-93	Snap Ring - HD	2	
82	<b>R106-5344</b>	106-5344	Bushing - Flanged and Keyed	4	
83	<b>R115-7039</b>	115-7039	Screw - Adjuster - Bedbar	2	
83	<b>R137-6130</b>	137-6130	Screw - Adjuster - Hardened - Bedbar	2	

*Tech Note: Ser# 408000000-999999999:*

All original equipment manufacturers names and part numbers are used for identification purposes only, and we are in no way implying that our products are original equipment parts. Prices subject to change without notice.



# Replaces Toro Greensmaster 3120 Parts

DPA Cutting Unit - Models 04652, 04654 & 04656  
Reel & Bedknife



Item No	R&R Part No.	OEM Part No.	Description	Qty Req	Order Quantity
84	<b>R119-4155</b>	119-4155	Washer - Hardened	2	
85	<b>R119-4156</b>	119-4156	Spring - Compression	2	
86	<b>R119-4153</b>	119-4153	Bushing - Rubber	2	
87	<b>R52-2890</b>	52-2890	Bushing - Flanged	2	
88	<b>R52-2900</b>	52-2900	Washer - Nylon	2	
89	<b>R52-2860</b>	119-4150, 52-2860	Washer - Bed Bar Pivot	2	
90	<b>R3296-28</b>	119-4154, 140-9234, 32127-34, 32128-7, 32128-8, 32136-7, 3296-28	Nut - 1/2-20 ESNA Jam	2	
91	<b>R117-9493</b>	117-9493	Bolt - Bed Bar - Hardened	2	
92	<b>R3296-48</b>	119-4039, 32146-7, 3296-34, 3296-48	Locknut - 7/16-14 ESNA	2	
93	<b>R119-9303</b>	105-5799, 119-9303	Frame - Crossmember	1	
94	<b>R120-3222</b>	120-3222	Reel Nut Assy - RH	1	
95	<b>R120-3221</b>	120-3221	Reel Nut Assy - LH	1	
98	<b>R117-6619</b>	117-6619	Bushing	2	
99	<b>R115-3296</b>	115-3296	Bearing	2	
99	<b>R140-5510</b>	140-5510	Bearing - Sealed Stainless	2	
<i>Tech Note: Ser# 408000000-999999999:</i>					
100	<b>R115-3299</b>	115-3299	Seal- Flocked	2	

All original equipment manufacturers names and part numbers are used for identification purposes only, and we are in no way implying that our products are original equipment parts. Prices subject to change without notice.



# Replaces Toro Greensmaster 3120 Parts

DPA Cutting Unit - Models 04652, 04654 & 04656  
Reel & Bedknife



Item No	R&R Part No.	OEM Part No.	Description	Qty Req	Order Quantity
101	<b>R105-5700</b>	105-5700, 115-5258	Wave Washer - Bearing	1	
102	<b>R115-7041</b>	115-7041	Bracket - Front Roller 5 1/4 in	2	
103	<b>R110-7352</b>	110-7352	Screw - HOC 2 5/8 Stainless	2	
103	<b>R132-4586</b>	132-4586	Screw - HOC - Stainless	2	
<i>Tech Note: Ser# 408000000-999999999:</i>					
104	<b>R99-3773</b>	99-3773	Bolt- Plow 3/8-16 x 1 3/4	2	
105	<b>R104-2603</b>	104-2603, 119-4158	Washer - HOC Bracket	2	
106	<b>R115-7193</b>	115-7193	Nut-HOC	2	
107	<b>R94-2958</b>	94-2958	Stud - Alloy Ball Joint	2	
108	<b>R119-4005</b>	119-4005	Side Plate Assy-LH Incl R117-6619	1	
109	<b>R119-4007</b>	119-4007	Side Plate Assy-RH Incl R117-6619	1	
110	<b>R105-5710</b>	105-5710, 119-4166	Spacer - Roller	2	
111	<b>R105-5712</b>	105-5712, 119-4157	Retainer - Roller	2	
112	<b>R105-5711</b>	105-5711, 119-4165	Shim - Roller	2	
113	<b>R119-4035</b>	119-4035	Bolt - 1/4-20 x 1 3/4 Soc HD Cap Scr	4	
114	<b>R119-4040</b>	119-4040	Nut - 1/4-20 Fl Locknut	4	
115	<b>R137-9706</b>	137-9706	Decal- Warning	1	
116	<b>R115-7042</b>	115-7042	Bolt-Shoulder, Flange	4	
117	<b>R434036</b>	3274-18	Screw - Soc HD 5/16-18 x 1-1/4	2	

All original equipment manufacturers names and part numbers are used for identification purposes only, and we are in no way implying that our products are original equipment parts. Prices subject to change without notice.



# Replaces Toro Greensmaster 3120 Parts

*DPA Cutting Unit - Models 04652, 04654 & 04656  
Reel & Bedknife*



Item No	R&R Part No.	OEM Part No.	Description	Qty Req	Order Quantity
118	<b>R105-5708</b>	105-5708, 121-46009, 121-4609	Plug - Expansion	1	

All original equipment manufacturers names and part numbers are used for identification purposes only, and we are in no way implying that our products are original equipment parts. Prices subject to change without notice.