

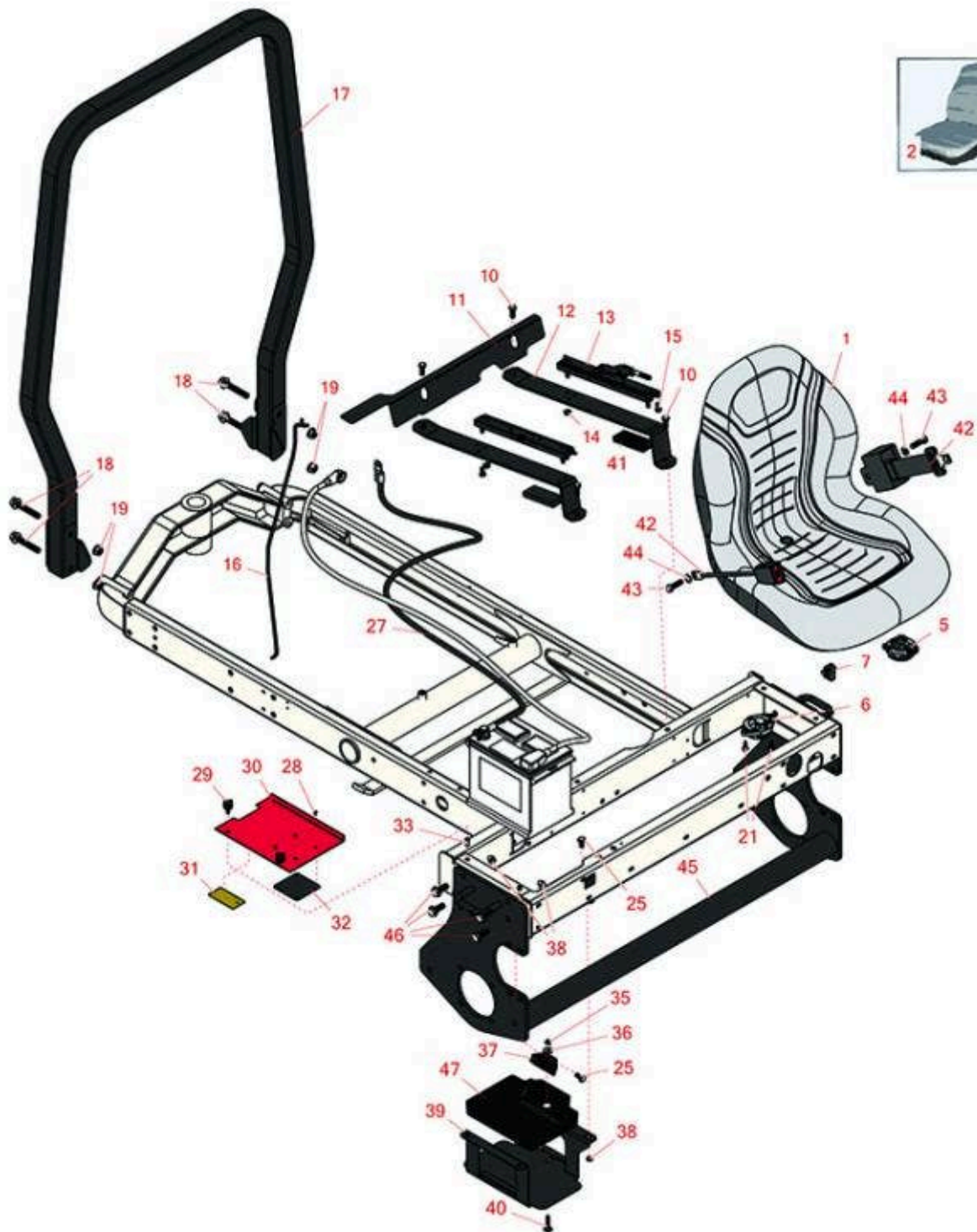


Replaces Toro Groundsmaster 3500-G

Parts

Traction Unit - Model 30809

Battery & Seat



All original equipment manufacturers names and part numbers are used for identification purposes only, and we are in no way implying that our products are original equipment parts. Prices subject to change without notice.



Replaces Toro Groundsmaster 3500-G Parts

Traction Unit - Model 30809
Battery & Seat



Item No	R&R Part No.	OEM Part No.	Description	Qty Req	Order Quantity
1	RMXB200GY	100-3187, 104-4620, 104-7620, 21-4880, 351-59, 351-76, 49-8130, 63-9410, 66-5400, 75-9190, 750105, 92-6280, MXB200GY	Milsco Seat XB200 - Grey	1	
<i>Tech Note: This seat will not accept seat belts:</i>					
2	R120-5179	120-5179	Large Seat Cover - Gray	1	
Gauges and Controls					
5	R151541	R&R ON, LY	Delta Seat Switch - Twist Mount 1 Pole Normally Open	1	
6	R92-6282	62-6282, 92-6282	Switch - Kill - Seat	1	
7	R150229	82-2190	Switch - Operator Presence	1	
Other Parts Available					
10	R3234-11	3234-11	Bolt - Hex Washer HD	4	
11	R104-4833-03	104-4833-03	Shield - Heat	1	
12	R104-4847-03	104-4847-03	Strap - Seat Support	2	
13	R150224	133-8896, 92-8990, 92-8990/92-8991, 92-8991	Adjusters - Seat (Set of 2)	1	
14	R104-8300	104-8300, 104-8300 , 119-4041	Locknut - 5/16-18 Flanged Y/Zinc	4	

All original equipment manufacturers names and part numbers are used for identification purposes only, and we are in no way implying that our products are original equipment parts. Prices subject to change without notice.



Replaces Toro Groundsmaster 3500-G Parts

*Traction Unit - Model 30809
Battery & Seat*



Item No	R&R Part No.	OEM Part No.	Description	Qty Req	Order Quantity
15	R322-2	322-2, 513338P	Bolt - Hex HD 5/16-18 x 5/8	4	
16	R95-8615	95-8615	Tube-Breather	1	
17	R107-7833	107-7833	Rops Assy	1	
18	R3234-40	3234-40	Bolt - Hx Fl	4	
19	R32128-49	32128-49	Nut - 1/2-13 Hex Flange	4	
21	R32144-10	32140-81, 32144-10, 32144-3, 34-140-AMVD	Bolt - 1/4-20 x 3/4 Serrated Hx Wshr	2	
25	R3234-1	321-11, 3234-1	Bolt - Flanged Serrated Hex HD 3/8-16 x 3/4	4	
27	R95-8854	95-8854	Cable - Battery - Neg	1	
28	R3269-27	3269-27	Rivet - Snap	4	
29	R233-70	233-70, 42619	Knob - Star - Three Prong	2	
30	R99-3602	95-8807, 95-8807-01, 99-3602	Battery Cover Assy	1	
31	R93-7276	93-7276	Decal - Danger	1	
32	R87-7620	87-7620	Shield - Terminal	1	
33	R32148-6	32148-6	Insert - Nut	2	
35	R3296-29	1-804256, 3290-357, 3296-29, 915662P	Locknut - 5/16-18 ESNA	1	

All original equipment manufacturers names and part numbers are used for identification purposes only, and we are in no way implying that our products are original equipment parts. Prices subject to change without notice.



Replaces Toro Groundsmaster 3500-G Parts

*Traction Unit - Model 30809
Battery & Seat*



Item No	R&R Part No.	OEM Part No.	Description	Qty Req	Order Quantity
36	R453011	01-166-0100, 01-166-0120, 01-166-0270, 01-166-0500, 01-166-0600, 01-166-0620, 132-4593, 2356-3, 237-12, 24-10-AD, 24-11-AD, 24-11-BD, 24-12-AD, 24-12-BD, 30-9310, 32-8190, 3256-24, 3256-3, 3256-36, 3256-4, 453011, 47-9950, 48-9220, 513458, 7-0052	Washer - Flat 3/8 SAE Y/Zinc	1	
37	R66-2490	66-2490	Retainer - Battery	1	
38	R32128-43	30-8990, 32128-43, 3290-357	Nut - Flanged Whiz - 3/8-16	12	
39	R95-8796-03	95-8796, 95-8796-03	Support -Battery	1	
40	R3230-6	3230-6	Bolt - Carraige	1	
41	R95-8896	95-8896	Foam	2	
42	R150848	100-4928, 110-0413, 110-9720, 95-8910	Belt-Seat	1	
43	R3212-4	3212-3, 3212-4	Bolt - Hex HD 7/16-20 x 1 GR5	2	

All original equipment manufacturers names and part numbers are used for identification purposes only, and we are in no way implying that our products are original equipment parts. Prices subject to change without notice.



Replaces Toro Groundsmaster 3500-G Parts

*Traction Unit - Model 30809
Battery & Seat*



Item No	R&R Part No.	OEM Part No.	Description	Qty Req	Order Quantity
44	R3253-6	01-166-0710, 23-12-GD, 3253-6, 59-7590	Washer - Lock 7/16 Zinc	2	
45	R95-8568-03	95-8568, 95-8568-03	Frame - Lower	1	
46	R3234-38	3234-38	Bolt - Flanged Hex 1/2-13 x 1-1/4	8	
47	R99-3513	99-3513	Tray - Battery	1	

All original equipment manufacturers names and part numbers are used for identification purposes only, and we are in no way implying that our products are original equipment parts. Prices subject to change without notice.