

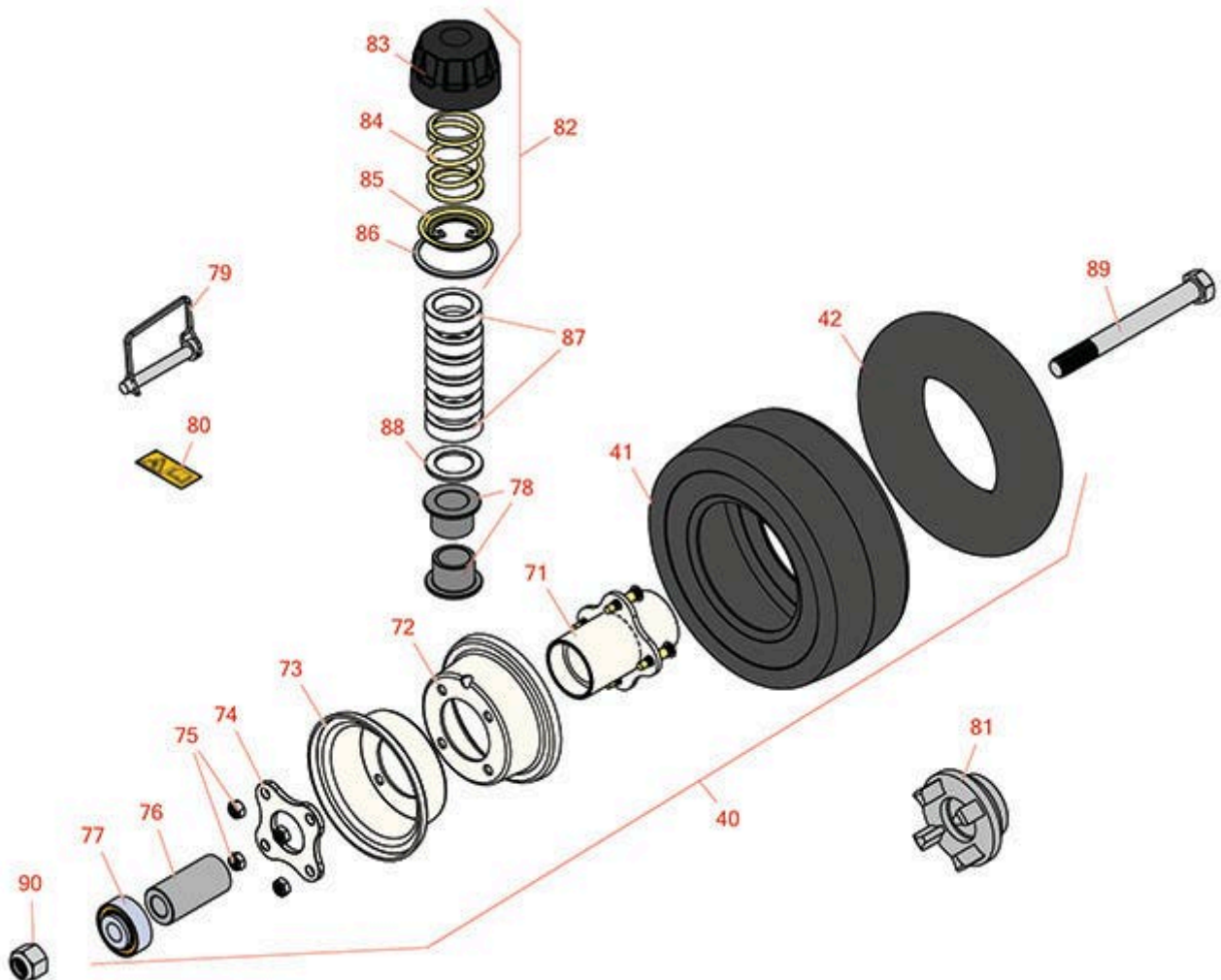


Replaces Toro Groundsmaster 4000-D

Parts

Accessories

Debris Blower - Model 30425



All original equipment manufacturers names and part numbers are used for identification purposes only, and we are in no way implying that our products are original equipment parts. Prices subject to change without notice.



Replaces Toro Groundsmaster 4000-D Parts

Accessories

Debris Blower - Model 30425



Item No	R&R Part No.	OEM Part No.	Description	Qty Req	Order Quantity
Tires & Wheels					
40	R93-9938	86-0020, 93-9938	Wheel Assy - Castor - Pneu 8x3.50-4	2	
41	R93-9939	93-9939, 98-2877	Tire - 8x3.50-4 (4 Ply) Sm Pneu	1	
42	R68-8950	68-8950	Tube - Castor Wheel 9x3.50-4 TR87	1	
Other Parts Available					
71	R93-5980	93-4238, 93-5980	Hub Assy - w/o Bearings/Spacer	1	
72	R93-4239	93-4239	Rim - Wheel Half w/Valve Hole	1	
73	R95-2741	137-5552, 95-2741	Rim - Wheel Half w/o Valve Hole	1	
74	R93-4242	93-4242	Plate - Caster Wheel	1	
75	R32128-16	32128-16	Locknut - 5/16-24 Flanged Top	4	
76	R93-4241	93-4241	Spacer - Caster Wheel	1	
77	R93-4237	93-4237	Bearing	2	
77	R108-9017	108-9017, 120-3366	Bearing-Stainless	2	
78	R94-1291	94-1291	Bushing - Flanged	4	
79	R93-4696	93-4696	Pin - Snap	1	
80	R93-6696	93-6696	Decal - Warning	1	
81	R104-3541	104-3541	Hub - Drive	1	
82	R92-9727	92-9727	Cap Assy - HOC	2	
83	R92-8861	92-5582, 92-8861	Cap - HOC	2	

All original equipment manufacturers names and part numbers are used for identification purposes only, and we are in no way implying that our products are original equipment parts. Prices subject to change without notice.



Replaces Toro Groundsmaster 4000-D Parts

Accessories

Debris Blower - Model 30425



Item No	R&R Part No.	OEM Part No.	Description	Qty Req	Order Quantity
84	R92-9726	92-9726	Spring - Compression	2	
85	R92-5583	92-5583	Washer- Cap	2	
86	R92-5581	92-5581	Ring - Retaining	2	
87	R63-0070	26-1580, 63-0070	Spacer - 1/2 HOC	12	
88	R3-6781	3-6781	Washer - Thrust - Castor Wheel	4	
89	R327-24	327-24	Bolt - Hex HD 5/8-11 x 6	2	
90	R3296-53	3296-53	Locknut - 5/8-11 ESNA Yellow	2	

All original equipment manufacturers names and part numbers are used for identification purposes only, and we are in no way implying that our products are original equipment parts. Prices subject to change without notice.