

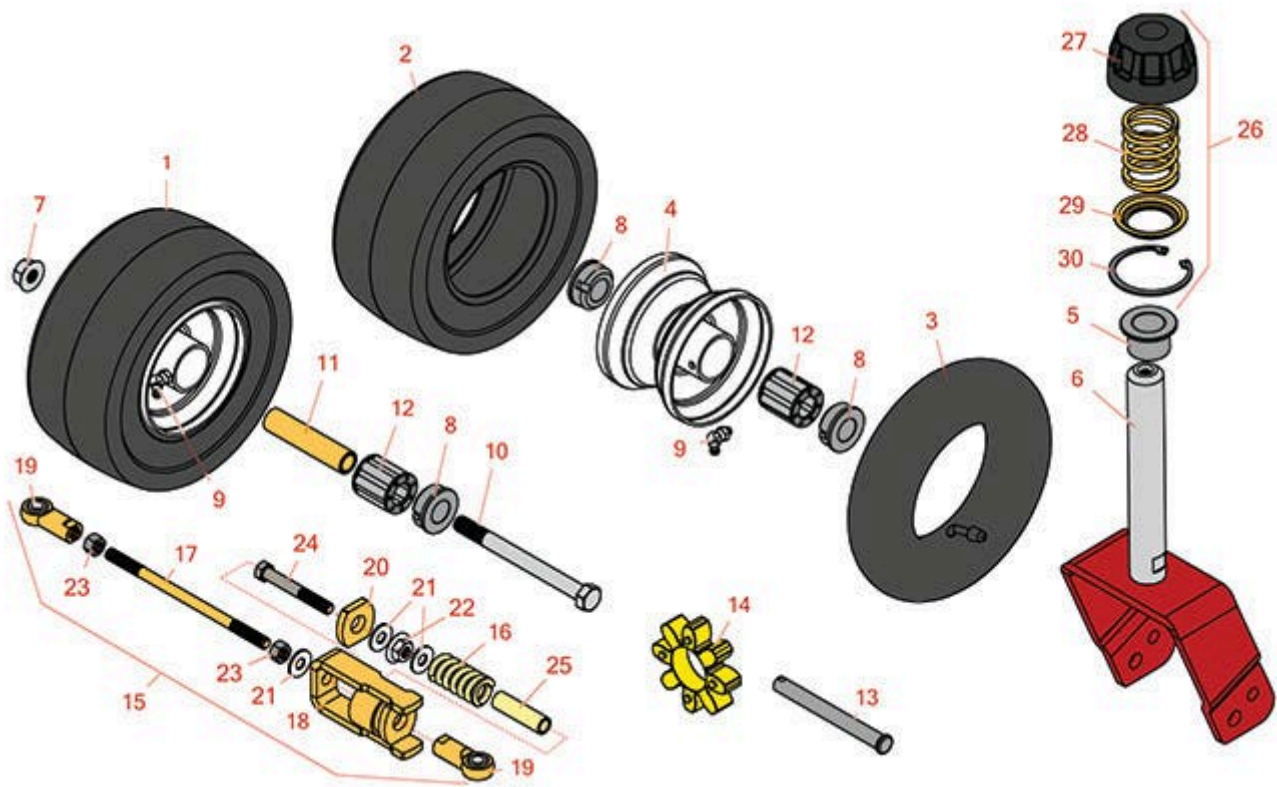


Replaces Toro Groundsmaster 7200

Parts

Rear QAS Attachments

Debris Blower - Model 30393



All original equipment manufacturers names and part numbers are used for identification purposes only, and we are in no way implying that our products are original equipment parts. Prices subject to change without notice.



Replaces Toro Groundsmaster 7200

Parts

Rear QAS Attachments

Debris Blower - Model 30393



Item No	R&R Part No.	OEM Part No.	Description	Qty Req	Order Quantity
---------	--------------	--------------	-------------	---------	----------------

Tires

1	R99-1268	99-1268	Castor Wheel Assy 8x3.5-4 Smooth	1	
---	-----------------	---------	----------------------------------	---	--

Tech Note: Includes: R62-5580 Bearing & R62-5570 Bearing:

2	R93-9939	93-9939, 98-2877	Tire - 8x3.50-4 (4 Ply) Sm Pneu	1	
---	-----------------	---------------------	---------------------------------	---	--

3	R100-5832	100-5832	Tube - Castor Wheel 2.80/2.50-4	1	
---	------------------	----------	---------------------------------	---	--

4	R100-2348	100-2348	Rim Assy with Bearings	1	
---	------------------	----------	------------------------	---	--

Tech Note: Includes 2ea R62-5580 Bearings & 1 ea R62-5570 Bearing.:

Other Parts Available

5	R94-1291	94-1291	Bushing - Flanged	2	
---	-----------------	---------	-------------------	---	--

6	R98-7068-01	92-5575, 98-7068, 98-7068-01	Caster Fork	1	
---	--------------------	------------------------------------	-------------	---	--

7	R32128-23	32128-23, 3218-23, 99-5107	Nut - Lock Hex Flanged 1/2-13	1	
---	------------------	----------------------------------	-------------------------------	---	--

8	R62-5580	62-5530, 62-5580	Bearing - Flanged - Caster	2	
---	-----------------	---------------------	----------------------------	---	--

9	R700414	302-11, 302-19, 302-4, 32-8170	Zerk - Grease 1/4-28 45 Deg	1	
---	----------------	---	-----------------------------	---	--

10	R325-22	01-150-0650, 01-178-0844, 325-21, 325-22	Bolt - Hx HD 1/2-13 x 5 1/2	1	
----	----------------	---	-----------------------------	---	--

11	R68-8980	68-8980	Bushing - Spanner Wheel	1	
----	-----------------	---------	-------------------------	---	--

12	R62-5570	62-5570	Bearing - Castor Wheel	1	
----	-----------------	---------	------------------------	---	--

All original equipment manufacturers names and part numbers are used for identification purposes only, and we are in no way implying that our products are original equipment parts. Prices subject to change without notice.



Replaces Toro Groundsmaster 7200

Parts

Rear QAS Attachments

Debris Blower - Model 30393



Item No	R&R Part No.	OEM Part No.	Description	Qty Req	Order Quantity
13	R283-83	283-83, 42194, 93-5343	Pin - Clevis	1	
14	R104-3542	104-3542	Spider	1	
15	R110-8105	110-8105	Link Assy	1	
16	R66-7230	66-7230	Spring - Compression	1	
17	R110-8108	110-8108	Rod - Link	1	
18	R110-8111-01	110-8111-01	Yoke Assy	1	
19	R92-7008	92-7008	Rod End - Female	2	
20	R110-8114	110-8114	Washer	1	
21	R453011	01-166-0100, 01-166-0120, 01-166-0270, 01-166-0500, 01-166-0600, 01-166-0620, 132-4593, 2356-3, 237-12, 24-10-AD, 24-11-AD, 24-11-BD, 24-12-AD, 24-12-BD, 30-9310, 32-8190, 3256-24, 3256-3, 3256-36, 3256-4, 453011, 47-9950, 48-9220, 513458, 7-0052	Washer - Flat 3/8 SAE Y/Zinc	0	
22	R32128-12	32128-12	Locknut - 3/8-24 Flanged Top Lock	1	

All original equipment manufacturers names and part numbers are used for identification purposes only, and we are in no way implying that our products are original equipment parts. Prices subject to change without notice.



Replaces Toro Groundsmaster 7200

Parts

Rear QAS Attachments

Debris Blower - Model 30393



Item No	R&R Part No.	OEM Part No.	Description	Qty Req	Order Quantity
23	R3220-3	01-191-0624, 3220-3, 3290-149	Nut - Jam Ball Joint	2	
24	R3211-12	3211-12	Bolt - Hx HD 3/8-24	1	
25	R110-8110	110-8110	Spacer	1	
26	R92-8862	92-8862	Cap Assy - HOC	1	
27	R92-8861	92-5582, 92-8861	Cap - HOC	1	
28	R92-5584	92-5584	Spring - Compression	1	
29	R92-5583	92-5583	Washer- Cap	1	
30	R92-5581	92-5581	Ring - Retaining	1	

All original equipment manufacturers names and part numbers are used for identification purposes only, and we are in no way implying that our products are original equipment parts. Prices subject to change without notice.