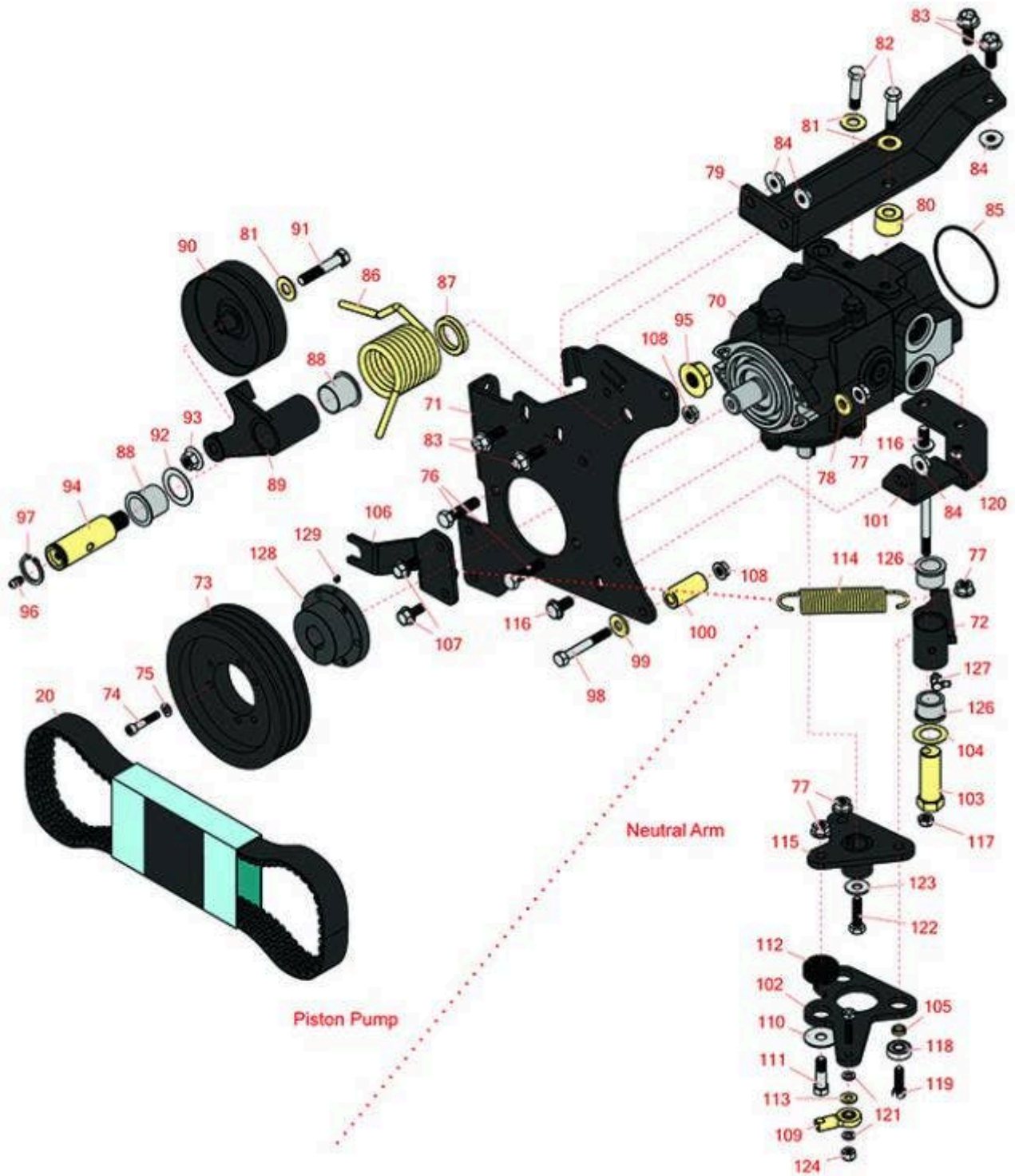




# Replaces Toro Reelmaster 3550-D Parts

Traction Unit - Model 03910

Hydrostat & Neutral Arm



All original equipment manufacturers names and part numbers are used for identification purposes only, and we are in no way implying that our products are original equipment parts. Prices subject to change without notice.



# Replaces Toro Reelmaster 3550-D Parts

Traction Unit - Model 03910

Hydrostat & Neutral Arm



Item No	R&R Part No.	OEM Part No.	Description	Qty Req	Order Quantity
<b>Belts</b>					
20	<b>R99-3619</b>	99-3619	Belt - 3V	1	
<b>Other Parts Available</b>					
70	<b>R104-4890</b>	104-4832, 104-4890	Pump - Piston	1	
71	<b>R95-8933-03</b>	95-8933, 95-8933-03	Plate - Mount - Pump	1	
72	<b>R104-0422</b>	104-0422	Neutral Arm Assy	1	
73	<b>R99-3620</b>	99-3620	PULLEY-3V - Pump	1	
74	<b>R316797</b>	321-13	Bolt - 1/4-20 x 1-1/4	3	
75	<b>R3253-3</b>	01-166-0070, 01-166-0410, 23-9-GD, 24-7150, 3253-3, 3256-1, 352-167	Washer - Lock 1/4	3	
76	<b>R323-8</b>	01-150-0060, 01-178-0612, 20-49-AD, 20-49-AGD, 323-8, 3273-41, 908036P	Bolt - Hex HD 3/8-16 x 1-1/2 GR8	2	
77	<b>R3296-39</b>	32127-25, 32128-36, 3290-357, 3296-17, 3296-22, 3296-39, 915663P, 99-7443	Locknut - 3/8-16 Nylon	6	
78	<b>R100-4852</b>	100-4852	Washer - Hardened	2	

All original equipment manufacturers names and part numbers are used for identification purposes only, and we are in no way implying that our products are original equipment parts. Prices subject to change without notice.



# Replaces Toro Reelmaster 3550-D Parts

*Traction Unit - Model 03910*

*Hydrostat & Neutral Arm*



Item No	R&R Part No.	OEM Part No.	Description	Qty Req	Order Quantity
79	<b>R99-3436-03</b>	99-3436, 99-3436-03	Support- Pump	1	
80	<b>R99-3440</b>	99-3440	Spacer	2	
81	<b>R80-6990</b>	80-6990	Washer - Hardened	9	
82	<b>R323-19</b>	323-19	Bolt - Hx HD 3/8-16 x 1 5/8	2	
83	<b>R3234-11</b>	3234-11	Bolt - Hex Washer HD	4	
84	<b>R32128-43</b>	30-8990, 32128-43, 3290-357	Nut - Flanged Whiz - 3/8-16	5	
85	<b>R353-949</b>	353-949, 60-3520	O-Ring	1	
86	<b>R115-3488</b>	115-3488	Spring - Torsion	1	
87	<b>R99-3625</b>	99-3625	Spacer - Ar - Idler	1	
88	<b>R99-3631</b>	99-3631	Bushing - Flanged	2	
89	<b>R99-3623-03</b>	99-3623-03	Arm - Idler	1	
90	<b>R107-7834</b>	107-7834	Pulley - Idler - 4 in x 3/8 Mt	1	
91	<b>R323-10</b>	01-150-0680, 01-178-0616, 100-6663, 100-8320, 1489, 20-51-AD, 20-51-AGD, 3224-6, 323-10, 323-35, 908336	Bolt - Hex HD 3/8-16 x 2	1	
92	<b>R74-1810</b>	74-1810	Washer	2	
93	<b>R32128-21</b>	32128-21	Locknut - Flanged 3/8-16 Whiz Top Lock	1	

All original equipment manufacturers names and part numbers are used for identification purposes only, and we are in no way implying that our products are original equipment parts. Prices subject to change without notice.



# Replaces Toro Reelmaster 3550-D Parts

*Traction Unit - Model 03910*

*Hydrostat & Neutral Arm*



Item No	R&R Part No.	OEM Part No.	Description	Qty Req	Order Quantity
94	<b>R99-3624</b>	99-3624	Shaft- Pivot - Idler	1	
95	<b>R32128-54</b>	32128-54	Nut - 5/8-18 Hex Serr Flanged	1	
96	<b>R302-5</b>	21-6010, 302-11, 302-37, 302-47, 302-5, 302-57, 302-58, 302-6, 31-0300, 32-9660, 60-0800, 62-3880, 92-4181	Fitting - Grease	1	
97	<b>R458039</b>	32151-36	Ring - Retaining	1	
98	<b>R151379</b>	33114-060, 42-9510	Bolt - Hx HD 8-1.25 x 65mm	1	
99	<b>R87-8640</b>	87-7510, 87-8640	Washer - Flat	3	
100	<b>R95-8941</b>	95-8941	Spacer - Pump Mount	4	
101	<b>R95-8960-03</b>	95-8960, 95-8960-03	Bracket- Neutral	1	
102	<b>R99-3594-03</b>	99-3594-03	Lever - Pump	1	
103	<b>R76-8640</b>	76-8640	Stud - Traction	1	
104	<b>R3-6498</b>	3--6498, 3-6498, 47-8270	Washer - Thrust	1	
105	<b>R100-4817</b>	100-4817	Spacer - Bearing	1	
106	<b>R104-0464-03</b>	104-0464-03, 99-3553, 99-3553-03	Bracket - Support	1	

All original equipment manufacturers names and part numbers are used for identification purposes only, and we are in no way implying that our products are original equipment parts. Prices subject to change without notice.



# Replaces Toro Reelmaster 3550-D Parts

*Traction Unit - Model 03910*

*Hydrostat & Neutral Arm*



Item No	R&R Part No.	OEM Part No.	Description	Qty Req	Order Quantity
107	<b>R3234-5</b>	3234-5, 62-3310	Bolt - 5/16-18x3/4 Hx Ser Was HD	2	
108	<b>R32128-44</b>	32128-44	Nut	2	
109	<b>R2411-41</b>	2411-41	Rod End - Ball Joint	1	
110	<b>R2844</b>	2844	Washer	3	
111	<b>R150776</b>	95-3857	Bolt - Button HD Soc CS 3/8-16 x 1-1/2	3	
112	<b>R63-9750</b>	63-9750, 64-9750	Mount - Rubber	3	
113	<b>R3256-22</b>	24-9-BD, 3-1032, 3256-1, 3256-22, 93-0954, 93-0989	Washer - Flat 1/4 Yellow	1	
114	<b>R94-1369</b>	94-1369	Spring - Extension	1	
115	<b>R99-3598-03</b>	120-5566, 99-3598-03	Hub Assy	1	
116	<b>R3234-1</b>	321-11, 3234-1	Bolt - Flanged Serrated Hex HD 3/8-16 x 3/4	3	
117	<b>R3296-29</b>	1-804256, 3290-357, 3296-29, 915662P	Locknut - 5/16-18 ESNA	1	
118	<b>R251-259</b>	251-259, 251-307	Bearing - Ball	1	
119	<b>R3274-104</b>	3274-104	Bolt - Hx Soc Button HD	1	

All original equipment manufacturers names and part numbers are used for identification purposes only, and we are in no way implying that our products are original equipment parts. Prices subject to change without notice.



# Replaces Toro Reelmaster 3550-D Parts

*Traction Unit - Model 03910*

*Hydrostat & Neutral Arm*



Item No	R&R Part No.	OEM Part No.	Description	Qty Req	Order Quantity
120	<b>R32153-3</b>	119-4038, 22-12-AJFD, 32127-35, 32146-5, 32153-3, 3296-18, 3296-29, 3296-31, N/A	Locknut - 5/16-18 ESNA Zinc	1	
121	<b>R6050-103</b>	48-8010, 48-8030	Washer - Flat	2	
122	<b>R3210-6</b>	3210-6	Bolt - Hex HD	1	
123	<b>R88-7200</b>	88-7200	Washer - Flat	1	
124	<b>R301504</b>	2296-42, 301504, 32127-24, 32128-33, 32146-17, 3296-16, 3296-42, 3296-42 , 915661P	Locknut - ESNA 1/4-20	1	
126	<b>R256-113</b>	256-113	Bushing - 3/4 ID x 1 1/8 Flange	2	
127	<b>R302-60</b>	302-60	Zerk - Grease 90 Deg.	1	
128	<b>R100-4813</b>	100-4813	Bushing - Taper Lock	1	
129	<b>R3241-5</b>	3241-5, 3245-7, 352-103, Jul-93	Screw - Set 1/4-20 x 3/8	1	

All original equipment manufacturers names and part numbers are used for identification purposes only, and we are in no way implying that our products are original equipment parts. Prices subject to change without notice.