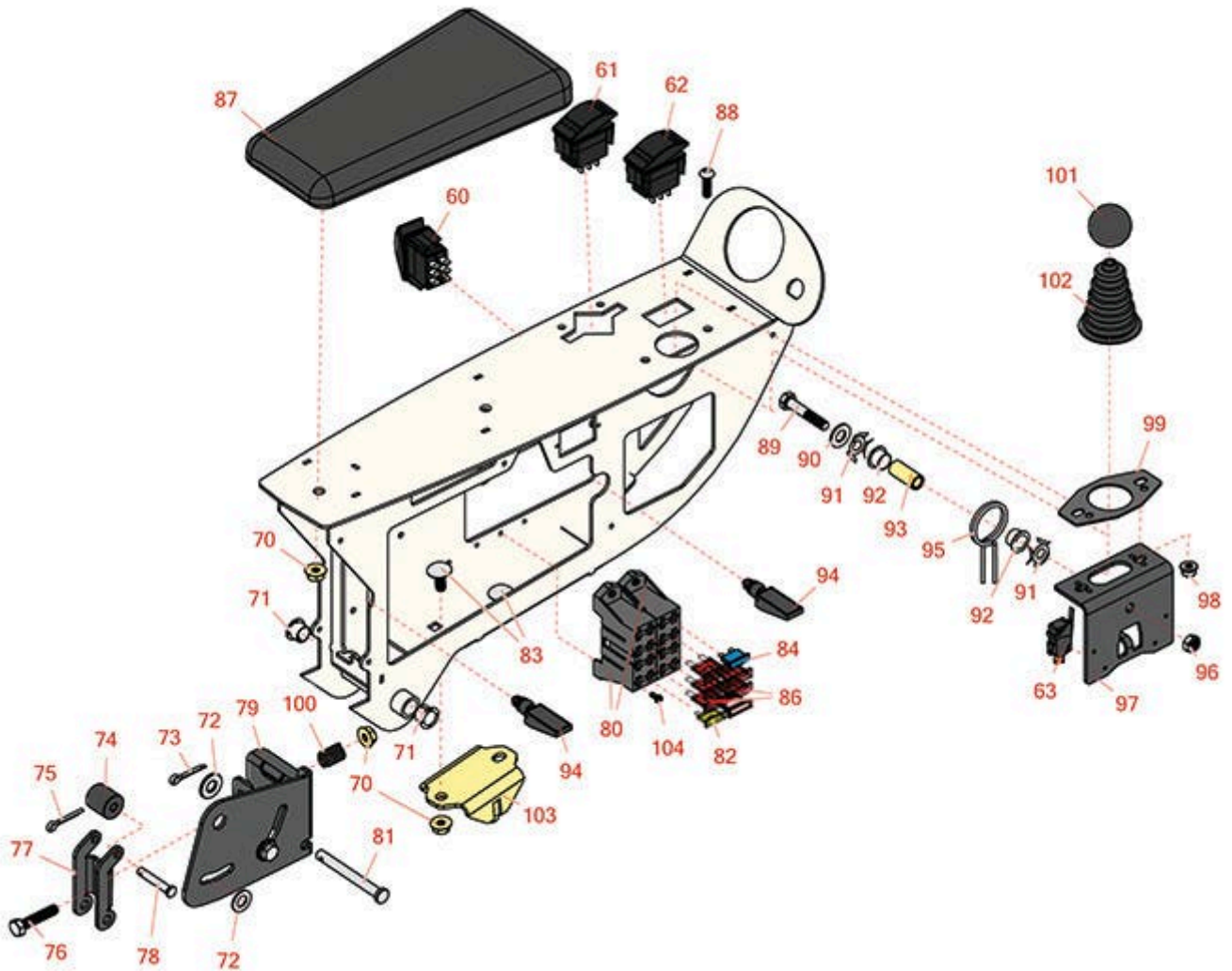




Replaces Toro Reelmaster 5410G Parts

Traction Unit - Models 03608 & 03673

Console & Control Arm



All original equipment manufacturers names and part numbers are used for identification purposes only, and we are in no way implying that our products are original equipment parts. Prices subject to change without notice.



Replaces Toro Reelmaster 5410G Parts

Traction Unit - Models 03608 & 03673

Console & Control Arm



| Item No | R&R Part No. | OEM Part No. | Description | Qty Req | Order Quantity |
|------------------------------|------------------|--|----------------------------------|---------|----------------|
| Gauges and Controls | | | | | |
| 60 | R95-8999 | 95-8999 | Switch - Headlight | 1 | |
| 61 | R100-1535 | 100-1535, 100-8492 | Switch | 1 | |
| 62 | R105-4232 | 105-4232 | Switch - Enable-Disable | 1 | |
| 63 | R108-6496 | 108-6496 | Micro Switch w/Boot | 2 | |
| Other Parts Available | | | | | |
| 70 | R104-8300 | 104-8300, 104-8300 , 119-4041 | Locknut - 5/16-18 Flanged Y/Zinc | 5 | |
| 71 | R256-257 | 256-257, 256-295 | Nyliner Bushing | 2 | |
| 72 | R453009 | 01-166-0400, 24-10-BD, 24-9-AD, 32-9650, 3256-2, 3256-23, 3256-3, 3256-67, 3290-217, 3556-3, 4-2390, 7-0152 | Washer - Flat 5/16 SAE | 2 | |
| 73 | R3272-10 | 01-151-0120, 105-7512, 3272-10, N/A | Pin - Cotter 1/8 x 3/4 | 1 | |
| 74 | R110-8856 | 110-8856 | Spacer | 1 | |
| 75 | R3272-1 | 3272-1, 3272-51, 352-111, 352-142, 58-1480 | Pin-Cotter | 1 | |

All original equipment manufacturers names and part numbers are used for identification purposes only, and we are in no way implying that our products are original equipment parts. Prices subject to change without notice.



Replaces Toro Reelmaster 5410G Parts

Traction Unit - Models 03608 & 03673

Console & Control Arm



| Item No | R&R Part No. | OEM Part No. | Description | Qty Req | Order Quantity |
|---------|---------------------|---|-------------------------------|---------|----------------|
| 76 | R322-7 | 01-150-0750, 01-150-0760, 01-178-0512, 20-28-AD, 20-28-AGD, 322-7, 3223-4 | Bolt - Hex HD 5/16-18 x 1-1/2 | 1 | |
| 77 | R110-5314 | 110-5314 | Latch | 1 | |
| 78 | R283-73 | 283-73 | Pin-Clevis | 1 | |
| 79 | R110-5313-03 | 110-5313-03 | Bracket - Retainer | 1 | |
| 80 | R85-4650 | 85-4650 | Fuse Holder Block | 1 | |
| 81 | R283-88 | 283-88 | Pin-Clevis | 1 | |
| 82 | R150291 | 32144-87 | Screw - 8 x 1/2 Sheet Metal | 4 | |
| 83 | R3230-23 | 3230-23, Mar-61 | Bolt - 5/16-18x3/4 - Carriage | 2 | |
| 84 | R94-6710 | 94-6710 | Fuse-Blade, 2 Amp | 1 | |
| 85 | R150812 | 109102, 109355, 150812, 218-581 | Fuse - 15 Amp | 1 | |
| 86 | R218-578 | 218-578, 95-2438 | Fuse - 10 Amp | 6 | |
| 87 | R108-7602 | 108-7602 | Arm Rest | 1 | |
| 88 | R3258-166 | 3258-166 | Screw-Ph Rnd HD | 2 | |
| 89 | R19H3130 | 322-9, 3223-5 | Bolt - Hex HD 5/16-18 x 1-3/4 | 1 | |

All original equipment manufacturers names and part numbers are used for identification purposes only, and we are in no way implying that our products are original equipment parts. Prices subject to change without notice.



Replaces Toro Reelmaster 5410G Parts

Traction Unit - Models 03608 & 03673

Console & Control Arm



| Item No | R&R Part No. | OEM Part No. | Description | Qty Req | Order Quantity |
|---------|---------------------|--|------------------------------|---------|----------------|
| 90 | R453011 | 01-166-0100, 01-166-0120, 01-166-0270, 01-166-0500, 01-166-0600, 01-166-0620, 132-4593, 2356-3, 237-12, 24-10-AD, 24-11-AD, 24-11-BD, 24-12-AD, 24-12-BD, 30-9310, 32-8190, 3256-24, 3256-3, 3256-36, 3256-4, 453011, 47-9950, 48-9220, 513458, 7-0052 | Washer - Flat 3/8 SAE Y/Zinc | 1 | |
| 91 | R106-4193 | 106-4193 | Washer - Finger, Spr | 2 | |
| 92 | R93-5547 | 93-5547 | Bushing-Nylon | 2 | |
| 93 | R106-4192 | 106-4192 | Spacer | 1 | |
| 94 | R74-5950 | 249-48, 74-5950 | Latch - Swell | 2 | |
| 95 | R105-8289 | 105-8289, 93-5509 | Spring-Torsion | 1 | |
| 96 | R3296-29 | 1-804256, 3290-357, 3296-29, 915662P | Locknut - 5/16-18 ESNA | 1 | |
| 97 | R106-4168-03 | 105-8287-03, 106-4168-03 | Bracket- Joystick | 1 | |

All original equipment manufacturers names and part numbers are used for identification purposes only, and we are in no way implying that our products are original equipment parts. Prices subject to change without notice.



Replaces Toro Reelmaster 5410G Parts

Traction Unit - Models 03608 & 03673

Console & Control Arm



| Item No | R&R Part No. | OEM Part No. | Description | Qty Req | Order Quantity |
|---------|---------------------|---|-------------------------------|---------|----------------|
| 97 | R115-5357-03 | 115-5357-03 | Bracket - Joystick | 1 | |
| 98 | R104-7201 | 104-7201 | Locknut - 1/4-20 ESNA Flanged | 2 | |
| 99 | R112-9181 | 106-4188-03, 112-9181 | Plate-Boot | 1 | |
| 100 | R110-5331 | 110-5331 | Spring - Compression | 1 | |
| 101 | R233-42 | 1-603175, 120-9752, 233-42, 233-47 | Knob | 1 | |
| 102 | R93-5961 | 93-5961 | Dust Guard - Shifter | 1 | |
| 103 | R110-5340 | 110-5340 | Latch Assy | 1 | |

All original equipment manufacturers names and part numbers are used for identification purposes only, and we are in no way implying that our products are original equipment parts. Prices subject to change without notice.