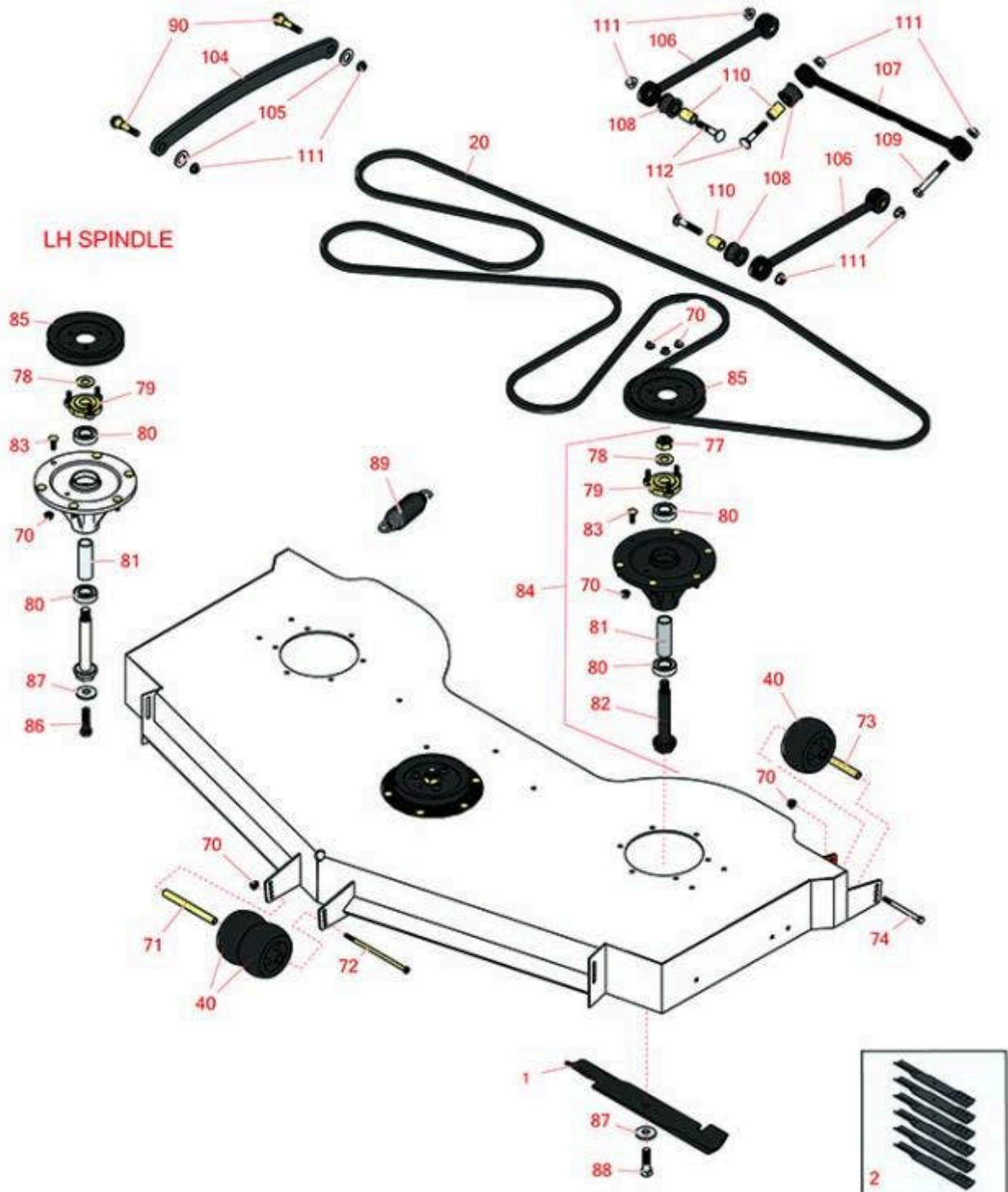




# Replaces Toro Z Master Professional 7500-D Parts

Zero-Turn Mower with 72in Deck - Model 74029  
72in Rotary Deck



All original equipment manufacturers names and part numbers are used for identification purposes only, and we are in no way implying that our products are original equipment parts. Prices subject to change without notice.



# Replaces Toro Z Master Professional 7500-D Parts

Zero-Turn Mower with 72in Deck - Model 74029  
72in Rotary Deck



Item No	R&R Part No.	OEM Part No.	Description	Qty Req	Order Quantity
<b>Rotary Blades</b>					
1	<b>R105-7719-03</b>	105-7719-03	Mower Blade - 24.5 in Mulcher w/Hard Facing	2	
2	<b>R108-1126</b>	108-1126	Mower Blade Kit - 24.5 in Mulcher w/Hard Facing Set/6	1	
<b>Belts</b>					
20	<b>R126-7628</b>	126-7628	Belt- Bb	1	
<b>Other Parts Available</b>					
40	<b>R68-2730</b>	1-603299, 68-2730	Wheel - Anti Scalp	4	
70	<b>R104-8301</b>	104-8301, 104-9301, 109-6658, 133-7570	Locknut - 3/8-16 Nylon Flanged	42	
71	<b>R98-5967</b>	98-5967	Spacer-Wheel	1	
72	<b>R108-5388</b>	108-5388	Bolt - Hx HD 3/8-16 x 7 1/2	1	
73	<b>R98-7912</b>	98-7912	Bushing - Spanner Wheel	2	
74	<b>R323-23</b>	01-150-0810, 01-178-0636, 20-60-AGD, 323-23	Bolt - Hex HD 3/8-16 x 4-1/2	2	
77	<b>R3296-67</b>	3296-67	Locknut - 3/4-16 Heavy Jam RH Thread	2	
78	<b>R92-5836</b>	92-5836	Flat Washer - Hardened	3	
79	<b>R127-0557</b>	127-0557	Spindle Hub Assy w/Studs	3	
80	<b>R116-0720</b>	116-0720	Bearing - Ball - Special Triple Seal	6	
81	<b>R127-0554</b>	127-0554	Spacer - Bearing	3	
82	<b>R127-0556</b>	127-0556	Shaft- Spindle	2	

All original equipment manufacturers names and part numbers are used for identification purposes only, and we are in no way implying that our products are original equipment parts. Prices subject to change without notice.



# Replaces Toro Z Master Professional 7500-D Parts

Zero-Turn Mower with 72in Deck - Model 74029  
72in Rotary Deck



Item No	R&R Part No.	OEM Part No.	Description	Qty Req	Order Quantity
83	<b>R114-8195</b>	114-8195, R & R ONLY	Bolt- Ribbed Neck	18	
84	<b>R127-0560</b>	127-0560	Spindle Assy - No Grease	2	
85	<b>R115-7450</b>	115-7450	Pulley - 6.75 in Dia with 1.75 Bore	3	
86	<b>R125-9326</b>	125-9326	Bolt - Blade LH Thread - Hardened	1	
87	<b>R103-0865</b>	103-0865	Washer - Blade Bolt HD	3	
88	<b>R51-4060</b>	51-4060	Bolt - Blade	2	
89	<b>R116-6317</b>	116-0133, 116-6317	Spring - Extension	1	
90	<b>R116-2022</b>	116-2022	Shoulder Bolt - Flanged Hex Head	2	
104	<b>R116-0797-03</b>	116-0797-03	Link-Lift - Deck	1	
105	<b>R453022</b>	01-166-0480, 01-166-1220, 21-3880, 217-21, 30-8550, 30-9110, 3256-28, 3256-44, 46-9030, Mar-71	Washer - 3/4 SAE	2	
106	<b>R109-7952</b>	109-7952	Deck Strut Assy	2	
107	<b>R109-5013</b>	109-5013	Panhard Rod Assy	1	
108	<b>R109-5009</b>	109-5009	Bushing - Suspension - Rubber	6	
109	<b>R325-17</b>	01-150-0640, 01-150-0850, 01-178-0832, 01-178-0836, 20-97-AGD, 325-17, 325-18, 48-9260	Bolt - Hex Head	1	

All original equipment manufacturers names and part numbers are used for identification purposes only, and we are in no way implying that our products are original equipment parts. Prices subject to change without notice.



# Replaces Toro Z Master Professional 7500-D Parts

*Zero-Turn Mower with 72in Deck - Model 74029  
72in Rotary Deck*



Item No	R&R Part No.	OEM Part No.	Description	Qty Req	Order Quantity
110	<b>R109-5010</b>	109-5010	Spacer	6	
111	<b>R32128-23</b>	32128-23, 3218-23, 99-5107	Nut - Lock Hex Flanged 1/2-13	8	
112	<b>R3233-34</b>	3233-34	Carriage Bolt - 1/2-13 x 2 1/2 Grade 5	3	

All original equipment manufacturers names and part numbers are used for identification purposes only, and we are in no way implying that our products are original equipment parts. Prices subject to change without notice.