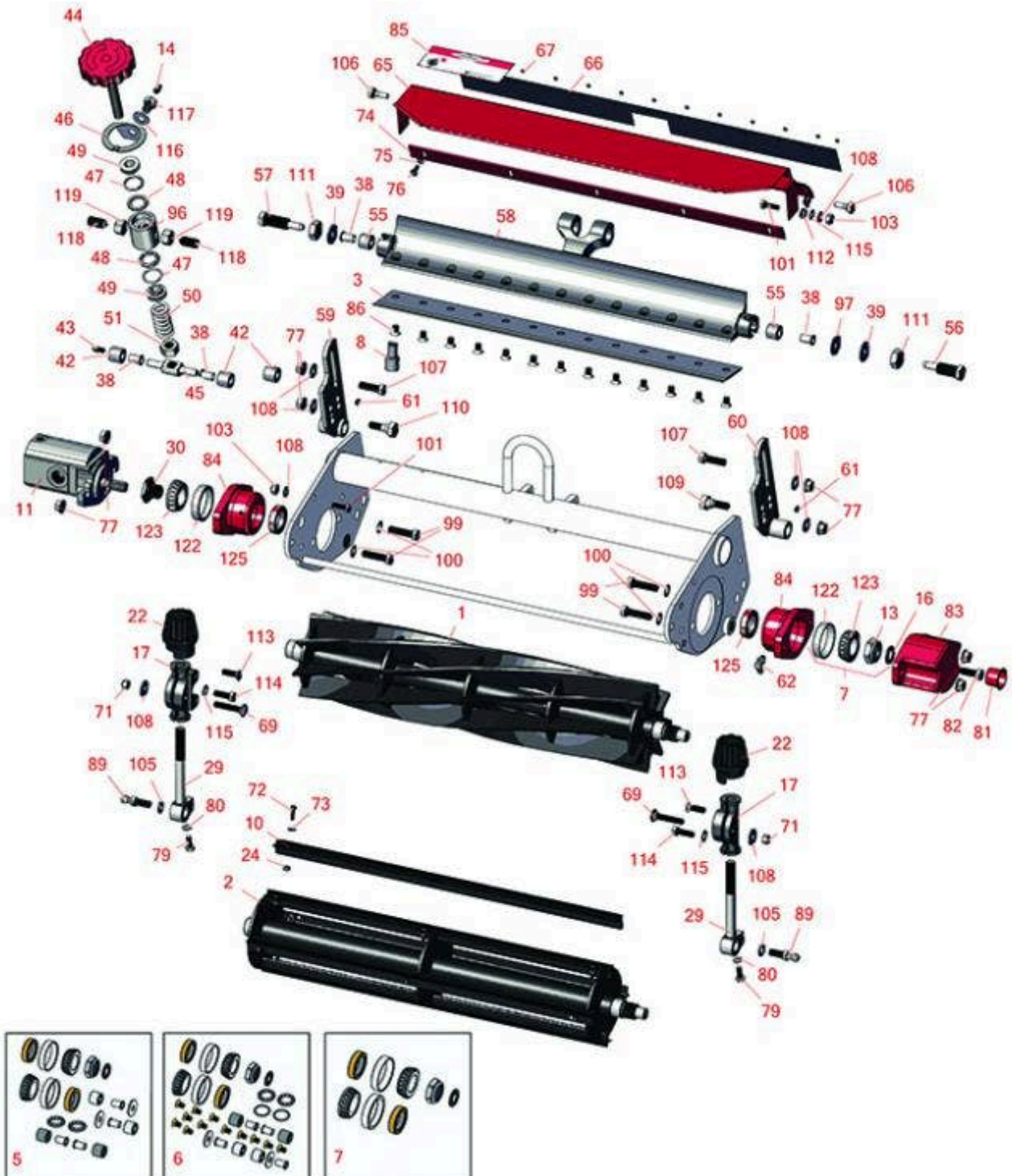




Replaces Toro Greensmaster 3050 Parts

SPA Cutting Unit - Models 04445
Reel & Bedknife



All original equipment manufacturers names and part numbers are used for identification purposes only, and we are in no way implying that our products are original equipment parts. Prices subject to change without notice.



Replaces Toro Greensmaster 3050 Parts

SPA Cutting Unit - Models 04445

Reel & Bedknife



Item No	R&R Part No.	OEM Part No.	Description	Qty Req	Order Quantity
R&R Reels, Lifetime Guaranteed					
1	R150760		Reel - 14 Blade	1	
1	R12-2789	12-2789, 130-6470	Reel - 11 Blade	1	
1	R5-3195	5-3195	Reel - 9 Blade	1	
1	R5-3189	12-3599, 130-6469, 5-3189	Reel - 8 Blade	1	
1	R5-3189H		Reel - 8 Blade Heavy Duty	1	
1	R5-3206	5-3206	Reel - 6 Blade	1	
1	R5-3205	12-0729, 12-8779, 5-3205	Reel - 5 Blade	1	
1	R14-0659	14-0659, 57-5300	Reel - 5 Blade Heavy Duty	1	
1	R5-3200	5-3200	Reel - 4 Blade	1	
2	R150480		Brush Reel	1	
R&R Bedknives, Lifetime Guaranteed					
3	R150466	63-8600, 64-6393, 94-6393	Bedknife - Super Thick .312 - 1.00 HOC	1	
3	R150462	63-8610, 94-6396	Bedknife - 7 Hole Thick 5/16	1	
3	R94-6396	10-4900, 54-9150, 94-6396, Oct-00	Bedknife - High Cut 5/16"-1" HOC	1	
3	R94-6392	62-2500, 94-6392	Bedknife - High Cut .312 - 1.00 HOC	1	

All original equipment manufacturers names and part numbers are used for identification purposes only, and we are in no way implying that our products are original equipment parts. Prices subject to change without notice.



Replaces Toro Greensmaster 3050 Parts

SPA Cutting Unit - Models 04445
Reel & Bedknife



Item No	R&R Part No.	OEM Part No.	Description	Qty Req	Order Quantity
3	R93-4264	57-4960, 63-8470, 93-4264	Bedknife - Low Cut .187 - 1.00 HOC	1	
3	R93-4263	63-8560, 66-9320, 93-4263, 93-6039	Bedknife - Tournament Cut .125 - .500 HOC	1	
3	R93-4262	65-8250, 93-4262, 93-4263	Bedknife - Micro Cut .062 - .187 HOC	1	

R&R Razor Tool Steel Bedknives, Lifetime Guaranteed

2	R115-1881	115-1881	Bedknife - Razor Tool Steel - 21 Tournament Cut .125 - .500 HOC	1	
---	------------------	----------	---	---	--

Tech Note: Razor Tool Steel Bedknives are constructed from high grade tool steel for extended life and optimum cut.:

2	R115-1880	115-1880	Bedknife - Razor Tool Steel - 21 Micro Cut .062 - .187 HOC	1	
---	------------------	----------	--	---	--

Tech Note: Razor Tool Steel Bedknives are constructed from high grade tool steel for extended life and optimum cut.:

Overhaul Kits & Service Tools

5	R255-310	255-310	Overhaul Kit - Cutting Unit	0	
---	-----------------	---------	-----------------------------	---	--

Tech Note: Includes 4 ea: R52-2890 Bushings; 2 ea: R237-77 O-Rings, R253-96 Seals, R254-72 Cups, R254-94 Bearings, R52-2900 Washers, R57-5280 Bearings, R62-5510 Bushings, R63-9510 Bushings; 1 ea: R253-61 Seal & R32127-46 Locknut:

6	R13-3659	13-3659	Overhaul Kit - Cutting Unit	0	
---	-----------------	---------	-----------------------------	---	--

Tech Note: Includes 13 ea.:R150477 Screws; 4 ea.: R52-2890 Bushings; 2 ea.: R237-77 O-rings, R253-96 Seals, R254-72 Bearing Cups, R254-94 Bearings, R52-2900 Washers, R57-5280 Bearings, R62-5510 Bushings, R63-9510 Bushings; 1 ea.: R253-61 Seal & R32127-46 Locknut:

7	R107-1590	107-1590	Overhaul Kit - Cutting Unit	0	
---	------------------	----------	-----------------------------	---	--

Tech Note: Includes 2 ea.: R253-96 Seals, R254-72 Bearing Cups, R254-94 Bearings; 1 ea.: R253-61 Seal & R32127-46 Locknut:

All original equipment manufacturers names and part numbers are used for identification purposes only, and we are in no way implying that our products are original equipment parts. Prices subject to change without notice.



Replaces Toro Greensmaster 3050 Parts

SPA Cutting Unit - Models 04445
Reel & Bedknife



Item No	R&R Part No.	OEM Part No.	Description	Qty Req	Order Quantity
8	R51-0880	51-0880	Bedknife Screw Driver Tool	0	

Other Parts Available

10	R150481		Brush Assy - Brush Reel	4	
11	R120-2072	100-6426, 108-6487, 112-9200, 120-2072, 93-1375	Hydraulic Gear Motor	1	

Tech Note: Fits Models 3150 & 3250-D:

11	R105-9770	10-5090, 105-9770, 26-5690, 70-9800, 94-3506, 94-3507	Hydraulic Motor - Reel Quick Release	1	
----	------------------	--	--------------------------------------	---	--

Tech Note: Fits Models 3000, 3050 & 3100:

13	R32127-46	32127-46, 3296-60	Locknut	1	
14	R302-5	21-6010, 302-11, 302-37, 302-47, 302-5, 302-57, 302-58, 302-6, 31-0300, 32-9660, 60-0800, 62-3880, 92-4181	Fitting - Grease	6	
16	R253-61	253-61	Seal - Oil Reel	1	
17	R10-5060	10-5060	Bracket - Roller Adj	2	

All original equipment manufacturers names and part numbers are used for identification purposes only, and we are in no way implying that our products are original equipment parts. Prices subject to change without notice.



Replaces Toro Greensmaster 3050 Parts

SPA Cutting Unit - Models 04445
Reel & Bedknife



Item No	R&R Part No.	OEM Part No.	Description	Qty Req	Order Quantity
22	R65-8600	10-5040, 65-8600	Knob - Height Adjusting	2	
24	R3296-9	32127-17, 3296-9	Locknut - Comb	12	
29	R10-5010	10-5010	Screw - Roller Adjustment	2	
30	R10-5100	10-5100	Nut - Splined 1-1/8 Long	1	
30	R93-1394	93-1394	Nut - Splined RH Thrd .812 Long	1	
30	R77-0560	77-0560	Nut - Splined Fits Groomer	1	
38	R52-2890	52-2890	Bushing - Flanged	4	
39	R52-2900	52-2900	Washer - Nylon	2	
42	R62-5510	52-2870, 62-5510	Bushing	4	
43	R302-18	302-18	Zerk - Grease Press Style	2	
44	R57-4870	57-4870	Handle - Adjusting Fits GM3M	1	
45	R57-5260	107-7409, 57-5260	Pivot - 1/2-20 - Bed Bar	1	
46	R52-3000	52-3000	Arm - Spring	1	
47	R237-77	237-77	O-Ring	2	
48	R57-5280	57-5280	Bearing - Adjusting Handle	2	
49	R57-5290	57-5290	Support - Thrust Bearing Fits 3M	2	
50	R57-5270	57-5270	Spring - Adjusting Handle	1	
51	R3296-62	3296-62	Locknut - 1/2-20 LH Jam	1	
55	R63-9510	63-9480, 63-9510	Bushing - Rubber For Bed Bar	2	

All original equipment manufacturers names and part numbers are used for identification purposes only, and we are in no way implying that our products are original equipment parts. Prices subject to change without notice.



Replaces Toro Greensmaster 3050 Parts

SPA Cutting Unit - Models 04445
Reel & Bedknife



Item No	R&R Part No.	OEM Part No.	Description	Qty Req	Order Quantity
56	R52-2910	52-2910	Bolt - Eccentric Bed Bar	1	
57	R52-2930	52-2930	Bolt - Bed Bar	1	
58	R57-4940	52-2780, 57-4940, 57-4940-01	Bed Bar - 13 Hole	1	
59	R52-3060	52-3060, 77-1060, 99-5653	Bracket - RH Rear Roller	1	
60	R52-3090	52-3090, 77-1080, 99-5654	Bracket - LH Rear Roller	1	
61	R3290-125	3290-125	Screw - Set 1/4-20 x 5/16	2	
62	R302-40	302-13, 302-40	Fitting - Grease	1	
65	R57-5200	57-5200	Shield - Grass	1	
66	R57-5210	57-5210	Deflector - Styrene	1	
67	R3295-46	3295-46	Tube - Rivet Smi Grass Shield	13	
69	R441674	01-173-0514, 01-173-0516, 3-7253, 3230-5	Screw - 5/16-18 x 1-3/4 Carriage	2	
71	R32153-3	119-4038, 22-12-AJFD, 32127-35, 32146-5, 32153-3, 3296-18, 3296-29, 3296-31, N/A	Locknut - 5/16-18 ESNA Zinc	2	
72	R150425		Bolt - Hex HD 8-32 x 5/8	12	
73	R150426	3256-21	Washer - 8 SAE	12	

All original equipment manufacturers names and part numbers are used for identification purposes only, and we are in no way implying that our products are original equipment parts. Prices subject to change without notice.



Replaces Toro Greensmaster 3050 Parts

SPA Cutting Unit - Models 04445

Reel & Bedknife



Item No	R&R Part No.	OEM Part No.	Description	Qty Req	Order Quantity
74	R36-7260	36-7260	Bar - Cut Off Grass Shield	1	
75	R3256-14	24-7-BD, 32125-2, 3256-14, 3256-51, 51-2170	Washer - 10 Flat	5	
76	R32144-73	104-2065, 32144-73	Screw - Machine Hex Washer Head	5	
77	R3296-39	32127-25, 32128-36, 3290-357, 3296-17, 3296-22, 3296-39, 915663P, 99-7443	Locknut - 3/8-16 Nylon	8	
79	R321-4	01-150-1030, 01-178-0406, 20-3-AGD, 321-4, 3222-1	Bolt - Hex HD 1/4-20 x 3/4	4	
80	R3253-3	01-166-0070, 01-166-0410, 23-9-GD, 24-7150, 3253-3, 3256-1, 352-167	Washer - Lock 1/4	4	
81	R12-0460	12-0460	Caplug - End Cap	1	
82	R323-2	01-178-0604, 323-2	Bolt - Hex HD 3/8-16 x 1	1	
83	R10-5080	10-5080, 10-5080-01	End - Cap Reel Brg Housing	1	
84	R10-5120	10-5120	Housing - Bearing Reel	2	

Tech Note: Includes R253-96 & R254-72:

All original equipment manufacturers names and part numbers are used for identification purposes only, and we are in no way implying that our products are original equipment parts. Prices subject to change without notice.



Replaces Toro Greensmaster 3050 Parts

SPA Cutting Unit - Models 04445

Reel & Bedknife



Item No	R&R Part No.	OEM Part No.	Description	Qty Req	Order Quantity
85	R354083	104-7729, 354083	Decal - Danger	1	
86	R119-4151	119-4151	Screw - Bedknife 5/16-18 x 17/32	13	
86	R150477	57-4910	Screw - Bedknife 5/16-18 x 1/2	13	
86	R150476	3-3816, 3-6462, 52-4910, 57-4910	Screw - Bedknife 5/16-18 x 5/8	13	
89	R94-2958	94-2958	Stud - Alloy Ball Joint	2	
96	R57-5250	57-5250	Housing - Pivot Spa	1	
97	R52-2860	119-4150, 52-2860	Washer - Bed Bar Pivot	1	
99	R323-53	323-53, 57-3210	Bolt - Hex HD 3/8-16 x 1-3/4	4	
100	R3255-9	3255-9	Washer - Lock 3/8 Ext. Star	4	
101	R321-5	321-31, 321-5	Bolt - Hex HD 1/4-20 x 7/8	2	
105	R3254-6	01-166-0010, 01-166-0280, 01-166-0610, 3253-5, 3254-18, 3254-6, 3290-223, 48-9370	Washer - Lock 3/8	2	
106	R57-9910	57-9910	Bolt - Pivot	2	

All original equipment manufacturers names and part numbers are used for identification purposes only, and we are in no way implying that our products are original equipment parts. Prices subject to change without notice.



Replaces Toro Greensmaster 3050 Parts

SPA Cutting Unit - Models 04445

Reel & Bedknife



Item No	R&R Part No.	OEM Part No.	Description	Qty Req	Order Quantity
107	R400264	01-150-0180, 01-178-0610, 20-48-AD, 20-48-AGD, 32-9160, 3224-3, 323-29, 323-7, 400264, 908035P	Bolt - Hex HD 3/8-16 x 1-1/4	2	
108	R453011	01-166-0100, 01-166-0120, 01-166-0270, 01-166-0500, 01-166-0600, 01-166-0620, 132-4593, 2356-3, 237-12, 24-10-AD, 24-11-AD, 24-11-BD, 24-12-AD, 24-12-BD, 30-9310, 32-8190, 3256-24, 3256-3, 3256-36, 3256-4, 453011, 47-9950, 48-9220, 513458, 7-0052	Washer - Flat 3/8 SAE Y/Zinc	4	
109	R52-3100	52-3100	Bolt - Eccentric Shoulder LH	1	
110	R52-3110	52-3110	Bolt - Shoulder HOC RH	1	
111	R443828	01-191-1018, 3214, 3220-6, 443828, 915089P	Nut - 5/8-18 Hex	2	

All original equipment manufacturers names and part numbers are used for identification purposes only, and we are in no way implying that our products are original equipment parts. Prices subject to change without notice.



Replaces Toro Greensmaster 3050 Parts

SPA Cutting Unit - Models 04445

Reel & Bedknife



Item No	R&R Part No.	OEM Part No.	Description	Qty Req	Order Quantity
112	R237-84	237-84	Grommet - Rubber	2	
113	R32108-20	32108-20	Screw - Flat HD Cntrsunk	2	
114	R322-5	01-178-0508, 20-26-AD, 20-26-AGD, 30-9000, 322-5, 513341, 519755, 908019P, N/A	Bolt - Hex HD 5/16-18 x 1	2	
115	R3255-8	3255-8	Washer - Lock 5/16 Ext	2	
116	R187-0	3256-25, 7-0032	Washer - Flat 7/16 SAE	1	
117	R52-2990	324-25, 52-2990	Bolt - Spring Retainer	1	
118	R57-5190	32110-19, 57-5190	Screw - Adjusting	2	
119	R443818	01-191-0813, 3218-18, 3218-5, 3248-18	Nut - 1/2-13 Hex Jam Zinc	2	
122	R254-72	01-103-0050, 01-103-0120, 01-103-0140, 1-543508, 254-71, 254-72, 40439, 62-3340, 99-4511	Cup - Bearing	2	

All original equipment manufacturers names and part numbers are used for identification purposes only, and we are in no way implying that our products are original equipment parts. Prices subject to change without notice.



Replaces Toro Greensmaster 3050 Parts

*SPA Cutting Unit - Models 04445
Reel & Bedknife*



Item No	R&R Part No.	OEM Part No.	Description	Qty Req	Order Quantity
123	R254-94	1-543509, 254-94, 32-8090, 32-8240, 32-9640, 40440, 62-3330	Tapered Bearing Cone	2	
125	R253-96	253-96	Seal - Oil Single Lip Reel	2	

All original equipment manufacturers names and part numbers are used for identification purposes only, and we are in no way implying that our products are original equipment parts. Prices subject to change without notice.