

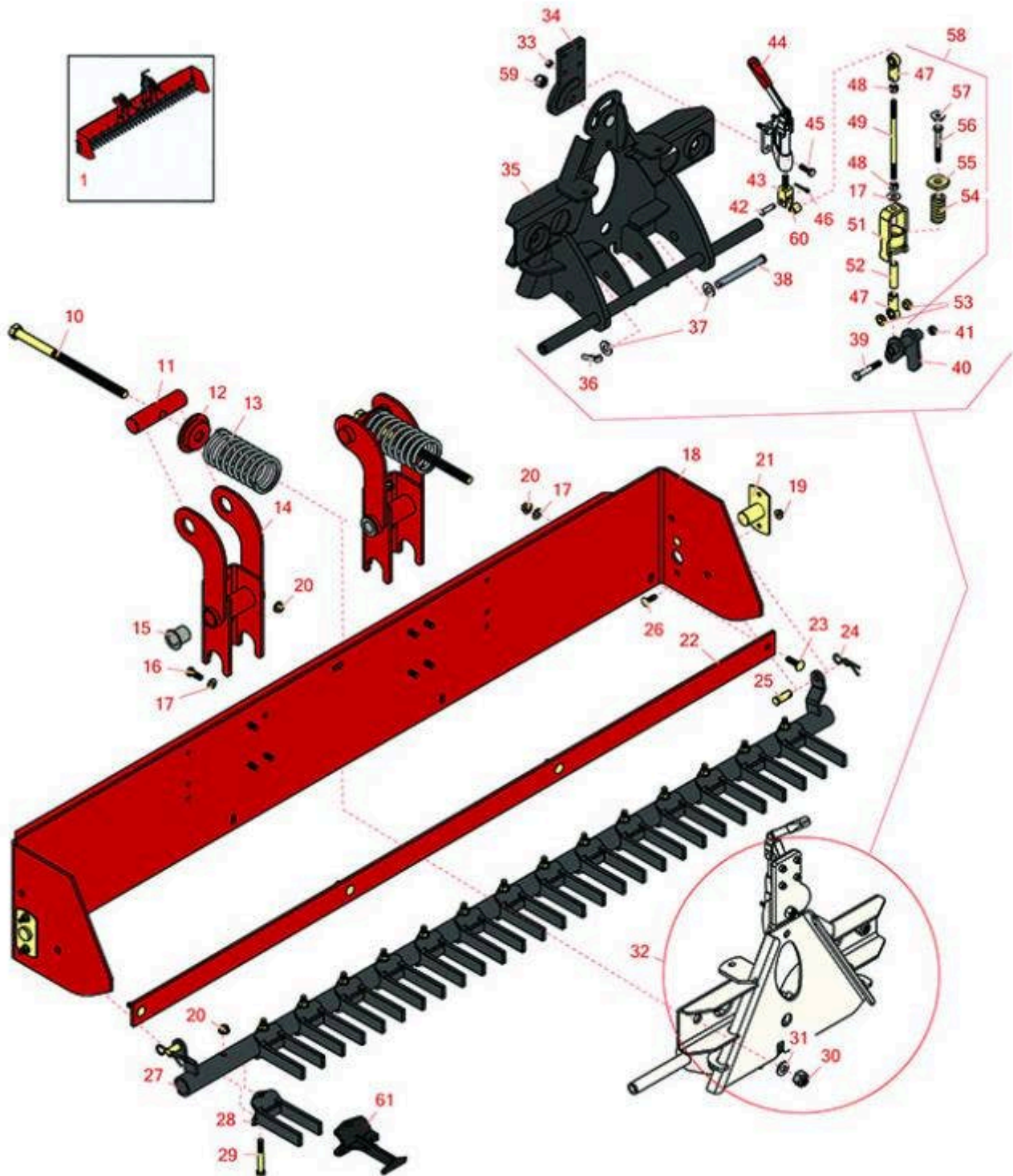


# Replaces Toro Groundsmaster 7200

## Parts

Rear QAS Attachments

Finish Grader - Model 08754



All original equipment manufacturers names and part numbers are used for identification purposes only, and we are in no way implying that our products are original equipment parts. Prices subject to change without notice.



# Replaces Toro Groundsmaster 7200

## Parts

Rear QAS Attachments

Finish Grader - Model 08754



Item No	R&R Part No.	OEM Part No.	Description	Qty Req	Order Quantity
---------	--------------	--------------	-------------	---------	----------------

### Complete Finish Grader Attachment Assembly

1	<b>R151097</b>	08754	Finish Grader with Fast Connect Hitch - Red	0	
---	----------------	-------	---	---	--

### Other Parts Available

10	<b>R23-2770</b>	23-2770	Rod - Actuating	2	
11	<b>R23-2740</b>	23-2740	Pin - Actuating	2	
12	<b>R108-2288-01</b>	108-2288-01	Support- Spring	2	
13	<b>R20-9420-01</b>	01-261-0600, 20-9420, 20-9420-01	Spring - Compression	2	
14	<b>R112-1400</b>	112-1400	Pivot Assy	2	
15	<b>R95-3577</b>	95-3577	Bushing	4	
16	<b>R323-6</b>	01-150-0010, 01-178-0608, 20-47-AD, 20-47-AGD, 3224-2, 323-6, 49-3510, 908034P, 908332	Bolt - Hex HD 3/8-16 x 1 GR5 YZ	8	

All original equipment manufacturers names and part numbers are used for identification purposes only, and we are in no way implying that our products are original equipment parts. Prices subject to change without notice.



# Replaces Toro Groundsmaster 7200

## Parts

Rear QAS Attachments

Finish Grader - Model 08754



Item No	R&R Part No.	OEM Part No.	Description	Qty Req	Order Quantity
17	<b>R453011</b>	01-166-0100, 01-166-0120, 01-166-0270, 01-166-0500, 01-166-0600, 01-166-0620, 132-4593, 2356-3, 237-12, 24-10-AD, 24-11-AD, 24-11-BD, 24-12-AD, 24-12-BD, 30-9310, 32-8190, 3256-24, 3256-3, 3256-36, 3256-4, 453011, 47-9950, 48-9220, 513458, 7-0052	Washer - Flat 3/8 SAE Y/Zinc	12	
18	<b>R108-2928-01</b>	108-2928-01	Box Assy	1	
19	<b>R104-8300</b>	104-8300, 104-8300 , 119-4041	Locknut - 5/16-18 Flanged Y/Zinc	4	
20	<b>R104-8301</b>	104-8301, 104-9301, 109-6658, 133-7570	Locknut - 3/8-16 Nylon Flanged	27	
21	<b>R110-1376</b>	110-1376	Pivot Pin Assy	2	
22	<b>R23-2790-01</b>	23-2790, 23-2790-01	Blade - Scraper	1	

All original equipment manufacturers names and part numbers are used for identification purposes only, and we are in no way implying that our products are original equipment parts. Prices subject to change without notice.



# Replaces Toro Groundsmaster 7200

## Parts

Rear QAS Attachments

Finish Grader - Model 08754



Item No	R&R Part No.	OEM Part No.	Description	Qty Req	Order Quantity
23	<b>R3231-25</b>	01-173-0610, 30-9970, 3231-25, 3231-3, 900064P	Bolt - Carriage 3/8-16 x 1-1/4	4	
24	<b>R3290-355</b>	01-159-0050, 3290-355, 58-5370	Pin - Bridge - Snap	2	
25	<b>R283-60</b>	283-60	Pin-Clevis	2	
26	<b>R3230-2</b>	01-173-0508, 25-25-AGD, 3230-16, 3230-2, 513624, 513633, 513635, 900038P	Bolt - Carriage	4	
27	<b>R110-1395-03</b>	110-1395-03	Tool Bar Assy	1	
28	<b>R110-0259-03</b>	110-0259-03	Scarifier Tine	15	
29	<b>R323-13</b>	01-150-1020, 01-178-0622, 20-54-AD, 20-54-AGD, 323-13, 513366	Bolt - Hex HD 3/8-16 x 2-3/4 GR5	15	
30	<b>R3296-53</b>	3296-53	Locknut - 5/8-11 ESNA Yellow	2	
31	<b>R150346</b>	3256-7	Washer - Thrust Plated 1-3/4x.750	2	
32	<b>R151096</b>		Fast Connect Hitch to Fit Finish Grader - Black	1	

All original equipment manufacturers names and part numbers are used for identification purposes only, and we are in no way implying that our products are original equipment parts. Prices subject to change without notice.



# Replaces Toro Groundsmaster 7200

## Parts

Rear QAS Attachments

Finish Grader - Model 08754



Item No	R&R Part No.	OEM Part No.	Description	Qty Req	Order Quantity
33	<b>R32153-3</b>	119-4038, 22-12-AJFD, 32127-35, 32146-5, 32153-3, 3296-18, 3296-29, 3296-31, N/A	Locknut - 5/16-18 ESNA Zinc	4	
34	<b>R151073</b>	N/A	Adapter Plate	1	
35	<b>R112-1432</b>	112-1432	Adapter Assy	1	
36	<b>R3272-11</b>	01-151-0010, 01-151-0040, 28-18-D, 28-28-D, 3211-72, 3272-11	Pin - Cotter	1	
37	<b>R3256-26</b>	01-166-0540, 01-166-0820, 17-2530, 24-13-BD, 30-8570, 3256-26, 356206, 48-9390	Washer - 1/2 in	2	
38	<b>R283-83</b>	283-83, 42194, 93-5343	Pin - Clevis	1	
39	<b>R323-11</b>	01-150-1440, 01-178-0618, 20-52-AD, 3224-7, 323-11	Bolt - 3/8-16 x 2 1/4 GR5	1	
40	<b>R110-8154</b>	110-8154	Latch Assy	1	
41	<b>R3296-44</b>	3296-44	Nut - 3/8-16 Heavy Jam ESNA Lock	1	

All original equipment manufacturers names and part numbers are used for identification purposes only, and we are in no way implying that our products are original equipment parts. Prices subject to change without notice.



# Replaces Toro Groundsmaster 7200

## Parts

Rear QAS Attachments

Finish Grader - Model 08754



Item No	R&R Part No.	OEM Part No.	Description	Qty Req	Order Quantity
42	<b>R283-61</b>	283-61, 86-2140, N/A, R3296-12	Pin - Clevis 5/16 x 1-1/8	1	
43	<b>R151072</b>	N/A	Adapter - Link Assy	1	
44	<b>R151071</b>	N/A	Clamp - Toggle	1	
45	<b>R322-5</b>	01-178-0508, 20-26-AD, 20-26-AGD, 30-9000, 322-5, 513341, 519755, 908019P, N/A	Bolt - Hex HD 5/16-18 x 1	4	
46	<b>R3272-10</b>	01-151-0120, 105-7512, 3272-10, N/A	Pin - Cotter 1/8 x 3/4	1	
47	<b>R92-7008</b>	92-7008	Rod End - Female	2	
48	<b>R3220-3</b>	01-191-0624, 3220-3, 3290-149	Nut - Jam Ball Joint	2	
49	<b>R110-8108</b>	110-8108	Rod - Link	1	
51	<b>R110-8111-01</b>	110-8111-01	Yoke Assy	1	
52	<b>R110-8110</b>	110-8110	Spacer	1	
53	<b>R110-8116</b>	110-8116	Spacer - Link	2	
54	<b>R66-7230</b>	66-7230	Spring - Compression	1	
55	<b>R110-8114</b>	110-8114	Washer	1	
56	<b>R3211-12</b>	3211-12	Bolt - Hx HD 3/8-24	1	

All original equipment manufacturers names and part numbers are used for identification purposes only, and we are in no way implying that our products are original equipment parts. Prices subject to change without notice.



# Replaces Toro Groundsmaster 7200

## Parts

Rear QAS Attachments

Finish Grader - Model 08754



Item No	R&R Part No.	OEM Part No.	Description	Qty Req	Order Quantity
57	<b>R32128-12</b>	32128-12	Locknut - 3/8-24 Flanged Top Lock	1	
58	<b>R151075</b>		Link Assy - Fast Connect Hitch	1	
<i>Tech Note: Includes 47-57:</i>					
59	<b>RF5003</b>	32127-29, 32131-5, 32132-5, 3296-23	Locknut - ESNA 1/2-13	1	
60	<b>R99-2058</b>	99-2058	Spacer-Support, Ha	1	
61	<b>R110-0260-03</b>	110-0260-03	Weeder Tine - Hardened	15	

All original equipment manufacturers names and part numbers are used for identification purposes only, and we are in no way implying that our products are original equipment parts. Prices subject to change without notice.