

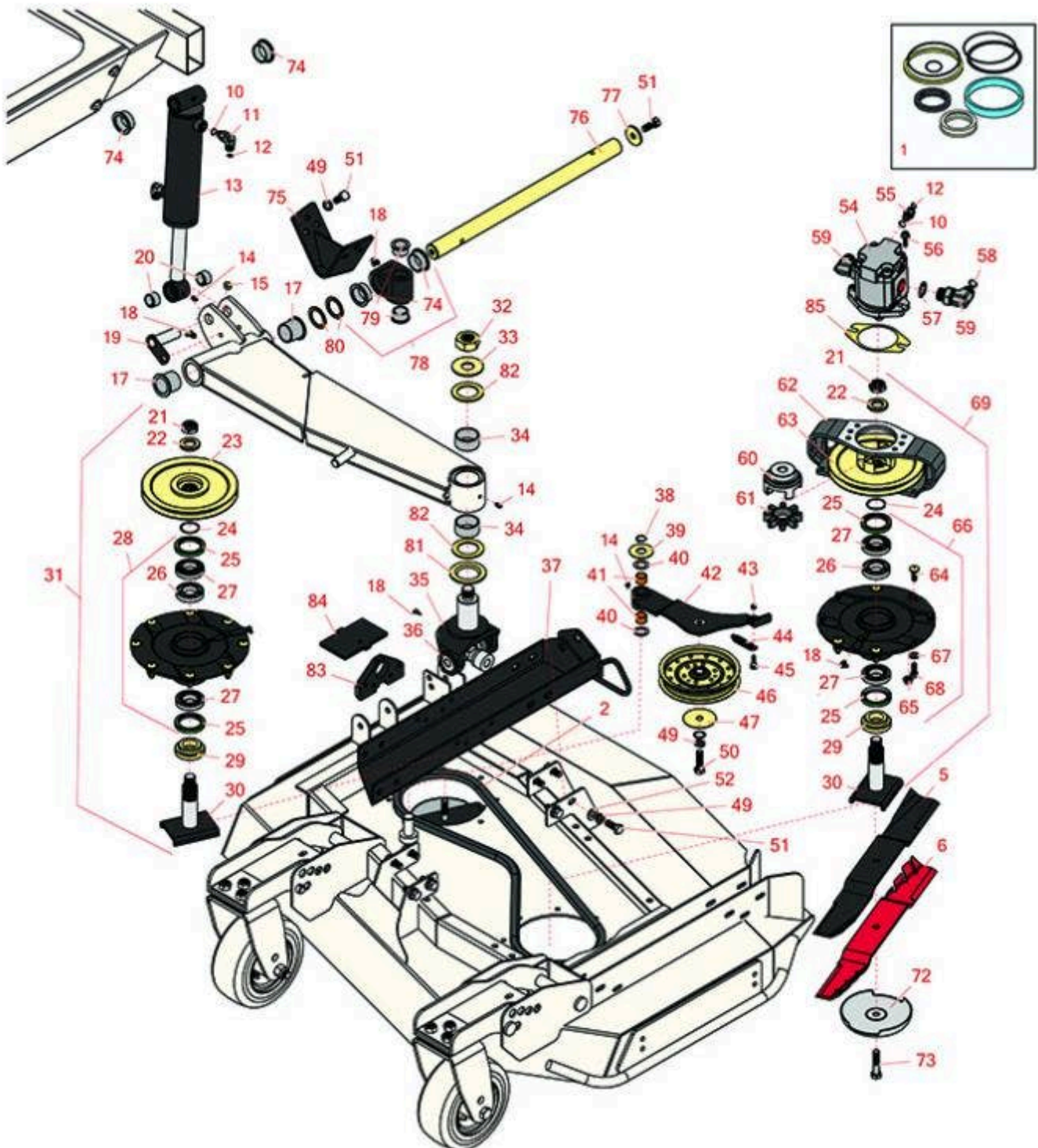


# Replaces Toro Groundsmaster 4000-D

## Parts

Rotary Mower - Model 30410

Left-Hand Deck Lift Arms and Spindle



All original equipment manufacturers names and part numbers are used for identification purposes only, and we are in no way implying that our products are original equipment parts. Prices subject to change without notice.



# Replaces Toro Groundsmaster 4000-D Parts

Rotary Mower - Model 30410  
Left-Hand Deck Lift Arms and Spindle



Item No	R&R Part No.	OEM Part No.	Description	Qty Req	Order Quantity
<b>Overhaul Kits</b>					
1	<b>R107-0249</b>	107-0249	Seal Kit - Fits R107-4303 Cyl	1	
2	<b>R55-7660</b>	108-8076	Belt - V Rotary Deck	1	
<b>Rotary Blades</b>					
5	<b>R92-5608</b>	92-5608, 92-5608-03	Mower Blade - 21.75 in	2	
6	<b>R92-5608M</b>	104-1303, 107-0214-03	Mower Blade - Mulcher 21.75	2	
<b>Other Parts Available</b>					
10	<b>R237-42</b>	237-42, 31-4160	O-Ring	3	
11	<b>R340-77</b>	340-100, 340-77, 95-7889	Hydraulic Fitting	2	
12	<b>R237-22</b>	107-8844, 237-22, 237-78	O-Ring	3	
13	<b>R107-4303</b>	107-4303, 99-5496	Cylinder - Lift - Wing	1	
14	<b>R302-5</b>	21-6010, 302-11, 302-37, 302-47, 302-5, 302-57, 302-58, 302-6, 31-0300, 32-9660, 60-0800, 62-3880, 92-4181	Fitting - Grease	4	

All original equipment manufacturers names and part numbers are used for identification purposes only, and we are in no way implying that our products are original equipment parts. Prices subject to change without notice.



# Replaces Toro Groundsmaster 4000-D Parts

Rotary Mower - Model 30410  
Left-Hand Deck Lift Arms and Spindle



Item No	R&R Part No.	OEM Part No.	Description	Qty Req	Order Quantity
15	<b>R104-8300</b>	104-8300, 104-8300 , 119-4041	Locknut - 5/16-18 Flanged Y/Zinc	1	
17	<b>R69-6470</b>	69-6470	Bushing - Flanged	2	
18	<b>R302-60</b>	302-60	Zerk - Grease 90 Deg.	7	
19	<b>R100-5674</b>	100-5674	Pin Assy	1	
20	<b>R104-4281</b>	104-4281	Bushing	2	
21	<b>R32127-46</b>	32127-46, 3296-60	Locknut	2	
22	<b>R104-8322</b>	104-8322, 120-5576	Washer - Spindle Shaft Hardened	2	
23	<b>R104-3546</b>	104-3546	Pulley - Lower Driven	1	
24	<b>R106-7159</b>	106-7159	O-Ring	2	
25	<b>R253-154</b>	253-154	Seal - Spindle	4	
26	<b>R104-3549</b>	104-3549	Spacer Set - Spindle Bearing	2	
26	<b>R120-5577</b>	120-5577	Bearing Spacer Set - Ground	2	
27	<b>R110-8297</b>	110-8297, 26-1830	Bearing Set w/Retaining Rings - Spindle	2	
28	<b>R119-4775</b>	119-4775	Spindle Housing Assy	1	
29	<b>R92-9800</b>	69-6950, 69-6980, 92-9800	Spacer - Spindle	2	
30	<b>R104-3554</b>	104-3554	Shaft - Spindle Assy.	2	
31	<b>R119-4776</b>	104-3532, 119-4776	Spindle Assy	1	
32	<b>R32136-11</b>	30-4700, 32136-11	Nut-Hex, Slot	1	

All original equipment manufacturers names and part numbers are used for identification purposes only, and we are in no way implying that our products are original equipment parts. Prices subject to change without notice.



# Replaces Toro Groundsmaster 4000-D Parts

Rotary Mower - Model 30410  
Left-Hand Deck Lift Arms and Spindle



Item No	R&R Part No.	OEM Part No.	Description	Qty Req	Order Quantity
33	<b>R104-0719</b>	104-0719	Washer - Hardened	1	
34	<b>R104-8341</b>	104-8341	Bushing - 1 1/4 in Straight	2	
35	<b>R104-0705-03</b>	104-0705-03	Yoke-Joint Assy w/Bearing	1	
36	<b>R104-4299</b>	104-4299	Cross and Bearing	1	
37	<b>R100-8149-03</b>	100-8149-03, 107-4349-03	Mount Assy - LH	1	
38	<b>R458013</b>	30-0580, 32120-72, 458013, 93-2525, 936125	Ring - Retaining	1	
39	<b>R70-1160</b>	70-1160	Washer	1	
40	<b>R3-6498</b>	3--6498, 3-6498, 47-8270	Washer - Thrust	2	
41	<b>R256-76</b>	256-76	Bushing	2	
42	<b>R110-6128</b>	110-6128	Idler Arm Assy	1	
43	<b>R3296-56</b>	3296-56	Nut - Lock - 1/4-20 ESNA Jam	1	
44	<b>R107938</b>	107938	Spring - Extension	1	
45	<b>R104-0858</b>	104-0858	Bolt - Shoulder	1	
46	<b>R99-5493</b>	99-5493	Pulley - Idler	1	
<i>Tech Note: Up to Serial#260000700:</i>					
46	<b>R110-9596</b>	110-9596, 132-9421	Pulley- Flat Idler	1	
<i>Tech Note: Serial #260000701 &amp; Up:</i>					
47	<b>R100-3102</b>	100-3102	Washer-Flat	1	

All original equipment manufacturers names and part numbers are used for identification purposes only, and we are in no way implying that our products are original equipment parts. Prices subject to change without notice.



# Replaces Toro Groundsmaster 4000-D Parts

Rotary Mower - Model 30410  
Left-Hand Deck Lift Arms and Spindle



Item No	R&R Part No.	OEM Part No.	Description	Qty Req	Order Quantity
49	<b>R3253-7</b>	01-166-0030, 01-166-0080, 01-166-0290, 01-166-0810, 23-13-GD, 3253-7, 48-9380	Washer - Lock 1/2	9	
50	<b>R325-7</b>	01-150-0380, 01-178-0814, 3226-3, 325-7, 48-9490	Bolt - 1/2-13 x 1 3/4 Hex HD Gr 5	1	
51	<b>R325-5</b>	01-150-0250, 01-178-0810, 19-8000, 20-86-AGD, 3226-1, 325-5, 513375	Bolt - Hex HD 1/2-13 x 1-1/4	7	
52	<b>R3256-26</b>	01-166-0540, 01-166-0820, 17-2530, 24-13-BD, 30-8570, 3256-26, 356206, 48-9390	Washer - 1/2 in	8	
54	<b>R99-5489</b>	99-5489	Hydraulic Motor	1	
55	<b>R340-2</b>	340-2, 60-1920	Hydraulic Fitting - Striaight	1	
56	<b>R3234-42</b>	3234-42	Bolt - 3/8-16 x 1 Hx HD Fl	2	
57	<b>R237-81</b>	237-81, 237.81, 327-81	O-Ring	2	
58	<b>R237-65</b>	237-65, 237.65	O-Ring	2	
59	<b>R340-139</b>	340-139	Hydraulic Fitting - 90 Deg	2	

All original equipment manufacturers names and part numbers are used for identification purposes only, and we are in no way implying that our products are original equipment parts. Prices subject to change without notice.



# Replaces Toro Groundsmaster 4000-D Parts



*Rotary Mower - Model 30410  
Left-Hand Deck Lift Arms and Spindle*

Item No	R&R Part No.	OEM Part No.	Description	Qty Req	Order Quantity
60	<b>R104-3541</b>	104-3541	Hub - Drive	1	
61	<b>R104-3542</b>	104-3542	Spider	1	
62	<b>R104-3544</b>	104-3544	Mount - Motor Drive	1	
63	<b>R104-3545</b>	104-3545	Pulley - Drive	1	
64	<b>R114-8195</b>	114-8195, R & R ONLY	Bolt- Ribbed Neck	12	
65	<b>R104-8301</b>	104-8301, 104-9301, 109-6658, 133-7570	Locknut - 3/8-16 Nylon Flanged	12	
66	<b>R119-4546</b>	104-3552, 119-3552, 119-4546	Spindle Housing Assy	1	
67	<b>R453011</b>	01-166-0100, 01-166-0120, 01-166-0270, 01-166-0500, 01-166-0600, 01-166-0620, 132-4593, 2356-3, 237-12, 24-10-AD, 24-11-AD, 24-11-BD, 24-12-AD, 24-12-BD, 30-9310, 32-8190, 3256-24, 3256-3, 3256-36, 3256-4, 453011, 47-9950, 48-9220, 513458, 7-0052	Washer - Flat 3/8 SAE Y/Zinc	4	

All original equipment manufacturers names and part numbers are used for identification purposes only, and we are in no way implying that our products are original equipment parts. Prices subject to change without notice.



# Replaces Toro Groundsmaster 4000-D Parts

Rotary Mower - Model 30410  
Left-Hand Deck Lift Arms and Spindle



Item No	R&R Part No.	OEM Part No.	Description	Qty Req	Order Quantity
68	<b>R323-6</b>	01-150-0010, 01-178-0608, 20-47-AD, 20-47-AGD, 3224-2, 323-6, 49-3510, 908034P, 908332	Bolt - Hex HD 3/8-16 x 1 GR5 YZ	4	
69	<b>R119-4547</b>	104-3529, 119-4547, 139-1035	Driving Spindle Assy	1	
69	<b>R139-1035</b>	139-1035	Drivin Spindle Assy	0	
72	<b>R72-9361</b>	27-1000, 27-1001, 72-9360, 72-9361	Cup - Anti-Scalp	2	
73	<b>R92-5816</b>	92-5816	Bolt - Hex HD 1/2-20 x 2-1/4	2	
74	<b>R115-5469</b>	104-3517, 115-5469	Bushing - Flanged	2	
75	<b>R104-8330-03</b>	104-8330-03	Cam Bracket Assy	1	
76	<b>R100-5582</b>	100-5582	Pivot Shaft - Lift Arm	1	
77	<b>R106-2008</b>	106-2008	Washer - Thrust	1	
78	<b>R115-5468</b>	100-8115, 115-5468	Pivot Hub Assy	1	
79	<b>R256-132</b>	256-132	Bushing - Flangd	2	
80	<b>R256-304</b>	256-304	Washer - Thrust	2	
81	<b>R104-0720</b>	104-0720	Spacer	1	
82	<b>R104-0721</b>	104-0721	Washer - Thrust	2	
83	<b>R104-8305-03</b>	104-8305-03	Mount-Base	2	

All original equipment manufacturers names and part numbers are used for identification purposes only, and we are in no way implying that our products are original equipment parts. Prices subject to change without notice.



# Replaces Toro Groundsmaster 4000-D Parts

*Rotary Mower - Model 30410  
Left-Hand Deck Lift Arms and Spindle*



Item No	R&R Part No.	OEM Part No.	Description	Qty Req	Order Quantity
84	<b>R104-8347-03</b>	104-8347-03	Plate	1	
85	<b>R100-5638</b>	100-5638	Shim	1	

All original equipment manufacturers names and part numbers are used for identification purposes only, and we are in no way implying that our products are original equipment parts. Prices subject to change without notice.