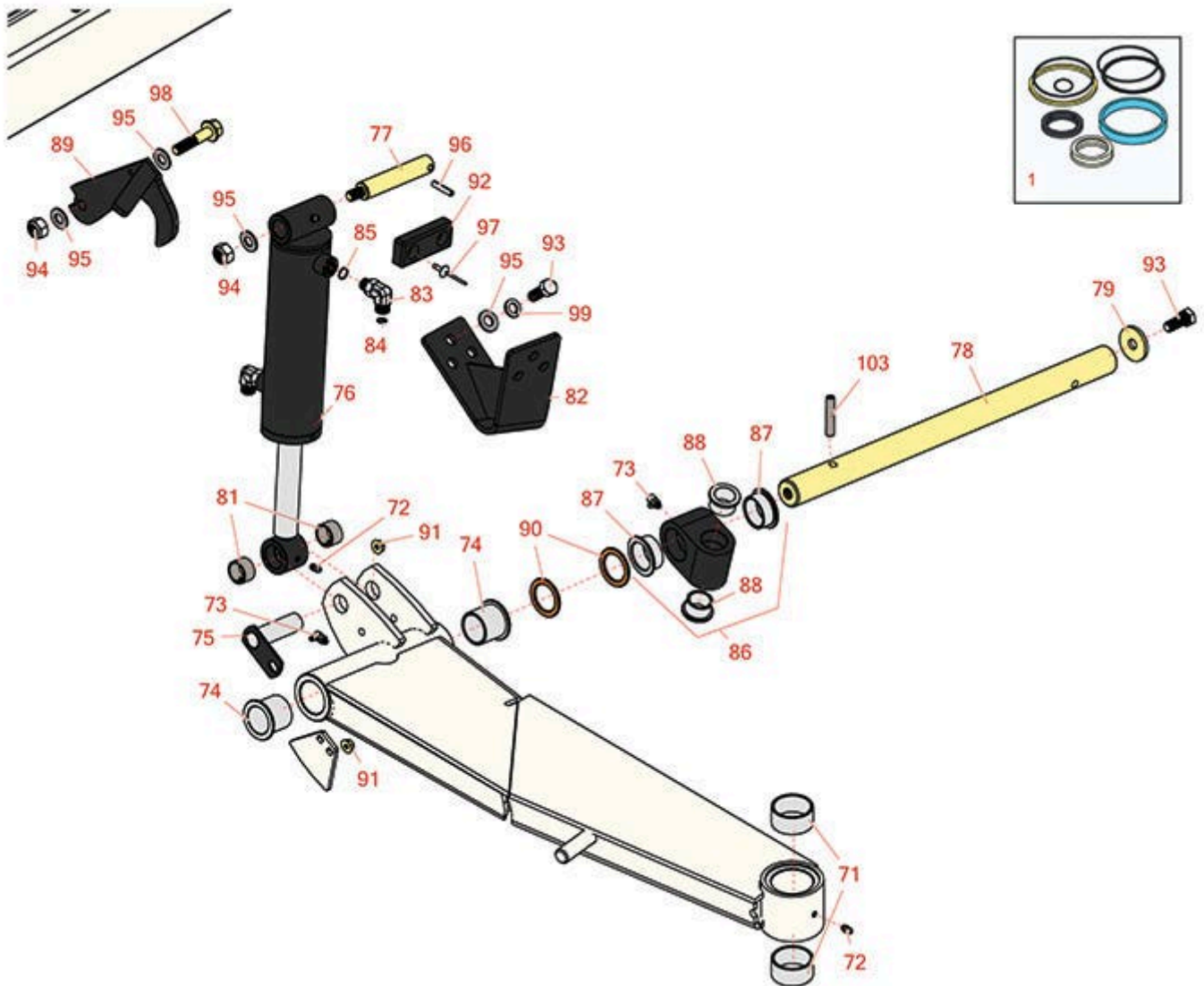




# Replaces Toro Groundsmaster 4000-D Parts

Rotary Mower - Model 30410  
Side Deck Lift Arm, Cylinder and Latch



All original equipment manufacturers names and part numbers are used for identification purposes only, and we are in no way implying that our products are original equipment parts. Prices subject to change without notice.



# Replaces Toro Groundsmaster 4000-D Parts

Rotary Mower - Model 30410  
Side Deck Lift Arm, Cylinder and Latch



Item No	R&R Part No.	OEM Part No.	Description	Qty Req	Order Quantity
<b>Overhaul Kits</b>					
1	<b>R107-0249</b>	107-0249	Seal Kit - Fits R107-4303 Cyl	1	
<b>Other Parts Available</b>					
71	<b>R104-8341</b>	104-8341	Bushing - 1 1/4 in Straight	4	
72	<b>R302-5</b>	21-6010, 302-11, 302-37, 302-47, 302-5, 302-57, 302-58, 302-6, 31-0300, 32-9660, 60-0800, 62-3880, 92-4181	Fitting - Grease	2	
73	<b>R302-60</b>	302-60	Zerk - Grease 90 Deg.	2	
74	<b>R69-6470</b>	69-6470	Bushing - Flanged	4	
75	<b>R100-5674</b>	100-5674	Pin Assy	2	
76	<b>R107-4303</b>	107-4303, 99-5496	Cylinder - Lift - Wing	2	
77	<b>R104-3537</b>	104-3537	Pin - Cylinder	2	
78	<b>R100-5582</b>	100-5582	Pivot Shaft - Lift Arm	2	
79	<b>R106-2008</b>	106-2008	Washer - Thrust	2	
81	<b>R104-4281</b>	104-4281	Bushing	2	
82	<b>R104-8330-03</b>	104-8330-03	Cam Bracket Assy	2	
83	<b>R340-77</b>	340-100, 340-77, 95-7889	Hydraulic Fitting	4	

All original equipment manufacturers names and part numbers are used for identification purposes only, and we are in no way implying that our products are original equipment parts. Prices subject to change without notice.



# Replaces Toro Groundsmaster 4000-D Parts

*Rotary Mower - Model 30410  
Side Deck Lift Arm, Cylinder and Latch*



Item No	R&R Part No.	OEM Part No.	Description	Qty Req	Order Quantity
84	<b>R237-22</b>	107-8844, 237-22, 237-78	O-Ring	4	
85	<b>R237-42</b>	237-42, 31-4160	O-Ring	4	
86	<b>R115-5468</b>	100-8115, 115-5468	Pivot Hub Assy	2	
87	<b>R115-5469</b>	104-3517, 115-5469	Bushing - Flanged	4	
88	<b>R256-132</b>	256-132	Bushing - Flangd	4	
89	<b>R104-3556-03</b>	104-3556-03	Latch - RH	1	
89	<b>R104-3557-03</b>	104-3557-03	Latch - LH	1	
90	<b>R256-304</b>	256-304	Washer - Thrust	4	
91	<b>R104-8300</b>	104-8300, 104-8300 , 119-4041	Locknut - 5/16-18 Flanged Y/Zinc	6	
92	<b>R86-5350</b>	86-5350	Bumper - Rubber	2	
93	<b>R325-5</b>	01-150-0250, 01-178-0810, 19-8000, 20-86-AGD, 3226-1, 325-5, 513375	Bolt - Hex HD 1/2-13 x 1-1/4	8	
94	<b>R3296-25</b>	30-3380, 32127-21, 32127-31, 3290-160, 3290-33, 3296-13, 3296-25, 3296-45, 329645	Locknut - 1/2-13 Heavy ESNA	4	

All original equipment manufacturers names and part numbers are used for identification purposes only, and we are in no way implying that our products are original equipment parts. Prices subject to change without notice.



# Replaces Toro Groundsmaster 4000-D Parts



*Rotary Mower - Model 30410  
Side Deck Lift Arm, Cylinder and Latch*

Item No	R&R Part No.	OEM Part No.	Description	Qty Req	Order Quantity
95	<b>R3256-26</b>	01-166-0540, 01-166-0820, 17-2530, 24-13-BD, 30-8570, 3256-26, 356206, 48-9390	Washer - 1/2 in	10	
96	<b>R32121-9</b>	32121-9	Pin - Roll - 1/4 x 1 1/4	2	
97	<b>R3269-11</b>	01-161-0100, 3269-11	Rivet	4	
98	<b>R3234-46</b>	3234-46	Bolt - 1/2-13 x 2 1/4 GR8HX HD FI	2	
99	<b>R3253-7</b>	01-166-0030, 01-166-0080, 01-166-0290, 01-166-0810, 23-13-GD, 3253-7, 48-9380	Washer - Lock 1/2	6	
103	<b>R32121-110</b>	32121-110	Roll Pin - Slotted	2	

All original equipment manufacturers names and part numbers are used for identification purposes only, and we are in no way implying that our products are original equipment parts. Prices subject to change without notice.