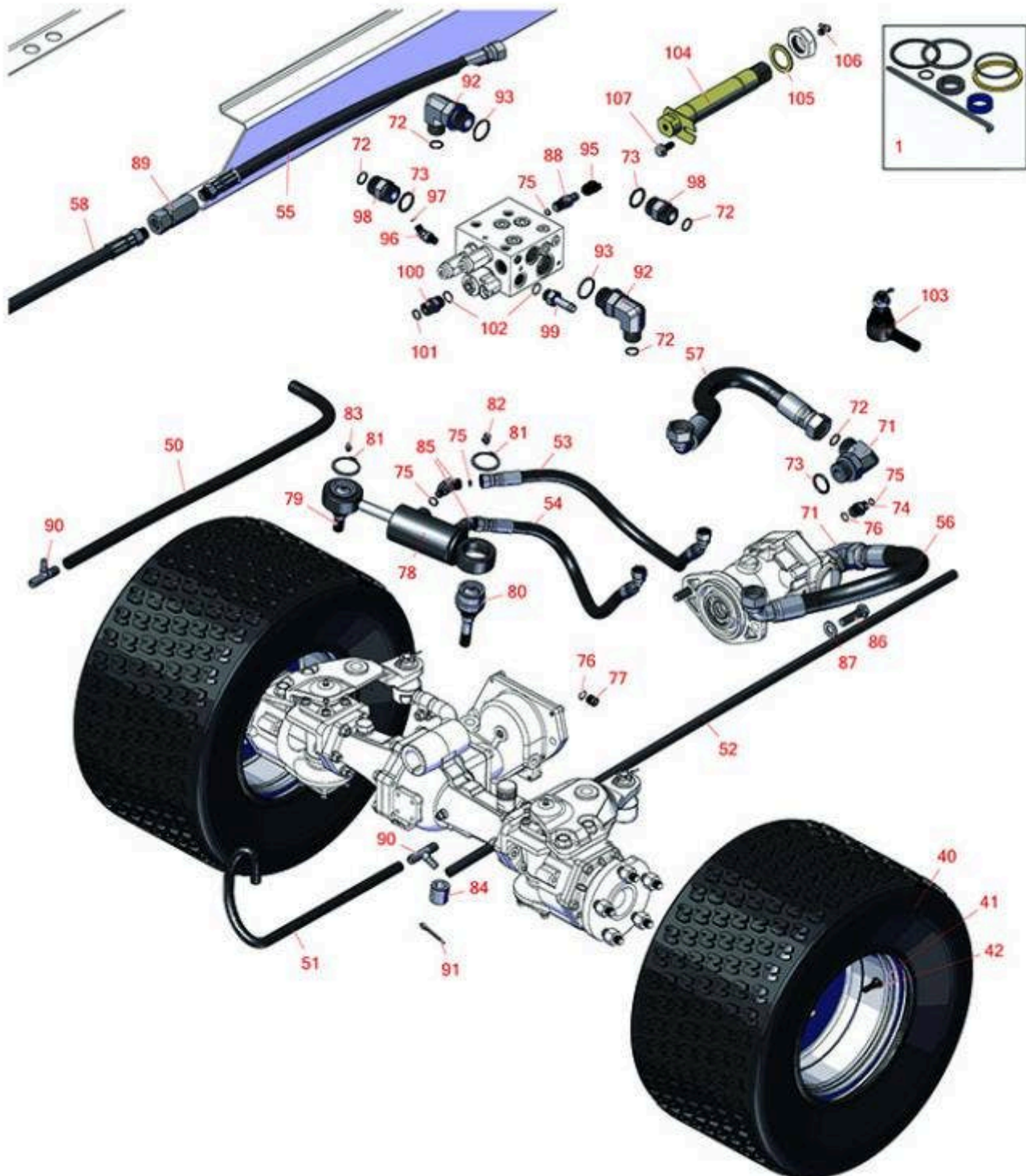




Replaces Toro Groundsmaster 4000-D

Parts

Rotary Mower - Model 30412
Rear Wheels



All original equipment manufacturers names and part numbers are used for identification purposes only, and we are in no way implying that our products are original equipment parts. Prices subject to change without notice.



Replaces Toro Groundsmaster 4000-D

Parts

Rotary Mower - Model 30412

Rear Wheels



Item No	R&R Part No.	OEM Part No.	Description	Qty Req	Order Quantity
---------	--------------	--------------	-------------	---------	----------------

Overhaul Kits and Service Tools

1	R107-0245	107-0245	Seal Kit - Fits R105-0775 Hyd Cyl	1	
---	------------------	----------	-----------------------------------	---	--

Tires

40	RCT6L07411		Tire - 20x10-10 6 Ply Turf Master	2	
----	-------------------	--	-----------------------------------	---	--

41	R100-2582	100-2582, 217-120, 217-125	Rim - Rear Tire 10 x 7	2	
----	------------------	----------------------------------	------------------------	---	--

42	R232-27	232-27, 232-31	Stem - Valve w/ Cap	2	
----	----------------	-------------------	---------------------	---	--

Hoses

50	R110-6153	110-6153	Hose	1	
----	------------------	----------	------	---	--

51	R100-5607	100-5607	Hose	1	
----	------------------	----------	------	---	--

52	R115-8466	115-8466	Hose	1	
----	------------------	----------	------	---	--

53	R92-7538	92-7538	Hydraulic Hose Assy	1	
----	-----------------	---------	---------------------	---	--

54	R92-7539	92-7539	Hydraulic Hose Assy	1	
----	-----------------	---------	---------------------	---	--

55	R100-5617	100-5617	Hydraulic Hose Assy	1	
----	------------------	----------	---------------------	---	--

56	R100-5579	100-5579	Hydraulic Hose Assy	1	
----	------------------	----------	---------------------	---	--

57	R104-3502	104-3502	Hydraulic Hose Assy	1	
----	------------------	----------	---------------------	---	--

58	R104-2237	104-2237	Hydraulic Hose Assy	1	
----	------------------	----------	---------------------	---	--

Other Parts Available

71	R340-142	340-142, 95-1692	Hydraulic Fitting - 90 Deg	2	
----	-----------------	---------------------	----------------------------	---	--

72	R237-58	237-58	O-Ring	6	
----	----------------	--------	--------	---	--

All original equipment manufacturers names and part numbers are used for identification purposes only, and we are in no way implying that our products are original equipment parts. Prices subject to change without notice.



Replaces Toro Groundsmaster 4000-D Parts

Rotary Mower - Model 30412
Rear Wheels



Item No	R&R Part No.	OEM Part No.	Description	Qty Req	Order Quantity
73	R237-81	237-81, 237.81, 327-81	O-Ring	4	
74	R340-2	340-2, 60-1920	Hydraulic Fitting - Striaight	1	
75	R237-22	107-8844, 237-22, 237-78	O-Ring	6	
76	R237-42	237-42, 31-4160	O-Ring	2	
77	R353-989	353-989	Plug - Hex - Hollow	1	
78	R105-0775	105-0775	Steering Cylinder	1	
79	R106-6774	106-6774, 92-5838, 92-5838-01	Ball Joint	1	
80	R100-3795	100-3795	Ball Joint	1	
81	R32151-104	32151-104	Ring - Retaining, Ex	2	
82	R302-60	302-60	Zerk - Grease 90 Deg.	1	
83	R302-5	21-6010, 302-11, 302-37, 302-47, 302-5, 302-57, 302-58, 302-6, 31-0300, 32-9660, 60-0800, 62-3880, 92-4181	Fitting - Grease	3	
84	R100-3796	100-3796	Spacer - Ball Joint	1	
85	R340-54	340-54	Fitting - Elbow - 45 Deg	2	

All original equipment manufacturers names and part numbers are used for identification purposes only, and we are in no way implying that our products are original equipment parts. Prices subject to change without notice.



Replaces Toro Groundsmaster 4000-D Parts

Rotary Mower - Model 30412
Rear Wheels



Item No	R&R Part No.	OEM Part No.	Description	Qty Req	Order Quantity
86	R325-7	01-150-0380, 01-178-0814, 3226-3, 325-7, 48-9490	Bolt - 1/2-13 x 1 3/4 Hex HD Gr 5	2	
87	R3256-26	01-166-0540, 01-166-0820, 17-2530, 24-13-BD, 30-8570, 3256-26, 356206, 48-9390	Washer - 1/2 in	2	
88	R354-77	354-77	Fitting-Quick	1	
89	R100-5600	100-5600	Valve-Check	1	
90	R99-7371	99-7371	Connector-Tee	3	
91	R3272-12	01-151-0090, 28-19-D, 3272-12	Pin - Cotter 1/8 x 1-1/4	1	
92	R340-15	340-15	Hydraulic Fitting - 90 Deg	2	
93	R237-146	237-146, 340-146	O-Ring	2	
95	R354-79	354-79	Cap-Dust	1	
96	R340-103	340-103, 340-137	Hydraulic Fitting - 45 Deg	2	
97	R237-21	237-21, 327-21	O-Ring	1	
98	R340-9	340-9	Fitting - Straight Connector	2	
99	R354-121	354-121, 92-1665	Fitting-Straight	1	
100	R340-4	340-4	Hydraulic Fitting - Male Connector	1	

All original equipment manufacturers names and part numbers are used for identification purposes only, and we are in no way implying that our products are original equipment parts. Prices subject to change without notice.



Replaces Toro Groundsmaster 4000-D Parts

*Rotary Mower - Model 30412
Rear Wheels*



Item No	R&R Part No.	OEM Part No.	Description	Qty Req	Order Quantity
101	R237-30	23-6320, 237-30	O-Ring - Seal	1	
102	R237-79	237-79	O-Ring	2	
103	R106-1113	100-3852, 106-1113	Tie Rod End Assy RH Thread	2	
104	R98-7077	98-7077	Axle Pin - Rear	1	
105	R92-1765	92-1765	Washer - Thrust	1	
106	R323016	302-33, 323016	Zerk - Grease	1	
107	R32144-14	32104-32, 32104-49, 32144-14	Bolt - Hex Washer 5/16-18 x 5/8	1	

All original equipment manufacturers names and part numbers are used for identification purposes only, and we are in no way implying that our products are original equipment parts. Prices subject to change without notice.