

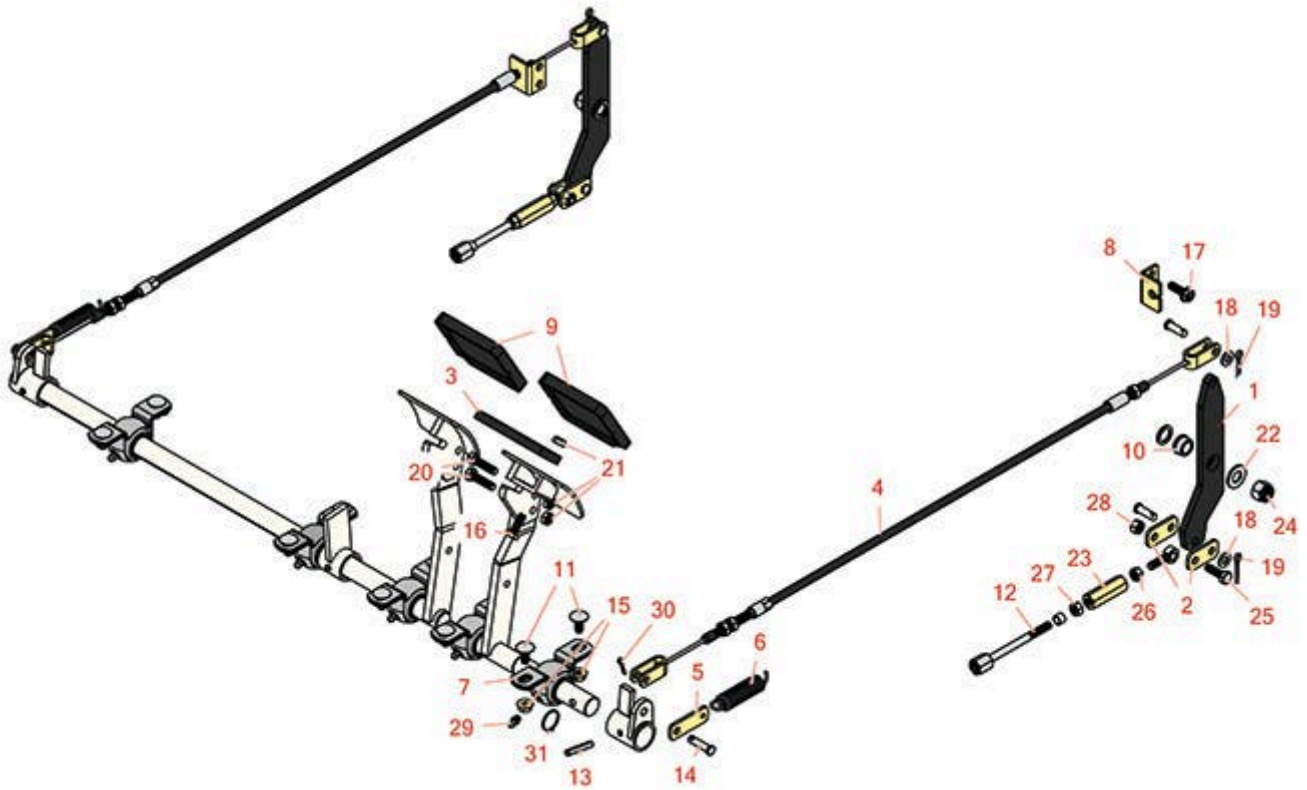


# Replaces Toro Groundsmaster 4000-D

## Parts

Rotary Mower - Model 30448

Brake Pedal And Linkage



All original equipment manufacturers names and part numbers are used for identification purposes only, and we are in no way implying that our products are original equipment parts. Prices subject to change without notice.



# Replaces Toro Groundsmaster 4000-D Parts

Rotary Mower - Model 30448  
Brake Pedal And Linkage



Item No	R&R Part No.	OEM Part No.	Description	Qty Req	Order Quantity
1	<b>R119-0105-03</b>	119-0105-03	Lever - Brake	2	
2	<b>R119-0110</b>	119-0110	Link - Brake	4	
3	<b>R93-5568</b>	93-5568	Arm - Lock	1	
4	<b>R119-0113</b>	119-0113	Cable- Brake	2	
5	<b>R100-5540</b>	100-5540	Strap - Brake	2	
6	<b>R93-5262</b>	93-5262	Spring - Extension	2	
7	<b>R93-4849</b>	93-4849, 93-5477	Bearing - Pillow Block	5	
8	<b>R119-0109</b>	119-0109	Bracket - Cable	2	
9	<b>R93-7629</b>	27-7570, 27-7580, 49-6170, 93-7629, 93-8743	Rubber Foot Pad - Brake	2	
10	<b>R105-3455</b>	105-3455	Bushing	2	
11	<b>R3230-1</b>	01-173-0506, 3230-1, 3230-20, 900037P	Bolt - Carriage 5/16-18 x 3/4	10	
12	<b>R119-0106</b>	119-0106	Hex - Link	2	
13	<b>R32121-15</b>	21-7710, 32-8880, 32121-15	Pin - Roll 1/4 x 1-1/2	3	
14	<b>R283-61</b>	283-61, 86-2140, N/A, R3296-12	Pin - Clevis 5/16 x 1-1/8	2	

All original equipment manufacturers names and part numbers are used for identification purposes only, and we are in no way implying that our products are original equipment parts. Prices subject to change without notice.



# Replaces Toro Groundsmaster 4000-D Parts

Rotary Mower - Model 30448  
Brake Pedal And Linkage



Item No	R&R Part No.	OEM Part No.	Description	Qty Req	Order Quantity
15	<b>R104-8300</b>	104-8300, 104-8300 , 119-4041	Locknut - 5/16-18 Flanged Y/Zinc	10	
16	<b>R322-4</b>	322-4, 3290-115, 908018P	Bolt - Hex HD 5/16-18 x 7/8	1	
17	<b>R32144-11</b>	32104-23, 32104-31, 32104-83, 32140-69, 32140-82, 32144-11	Bolt - 5/16-18 x 1 Hx Fl Tf	4	
18	<b>R453009</b>	01-166-0400, 24-10-BD, 24-9-AD, 32-9650, 3256-2, 3256-23, 3256-3, 3256-67, 3290-217, 3556-3, 4-2390, 7-0152	Washer - Flat 5/16 SAE	2	
19	<b>R3272-10</b>	01-151-0120, 105-7512, 3272-10, N/A	Pin - Cotter 1/8 x 3/4	4	
20	<b>R400190</b>	01-150-0720, 01-178-0510, 30-8680, 322-6, 513343	Bolt - Hex HD 5/16-18 x 1-1/4 GR5	4	
21	<b>R3296-29</b>	1-804256, 3290-357, 3296-29, 915662P	Locknut - 5/16-18 ESNA	5	

All original equipment manufacturers names and part numbers are used for identification purposes only, and we are in no way implying that our products are original equipment parts. Prices subject to change without notice.



# Replaces Toro Groundsmaster 4000-D Parts

Rotary Mower - Model 30448  
Brake Pedal And Linkage



Item No	R&R Part No.	OEM Part No.	Description	Qty Req	Order Quantity
22	<b>R3256-26</b>	01-166-0540, 01-166-0820, 17-2530, 24-13-BD, 30-8570, 3256-26, 356206, 48-9390	Washer - 1/2 in	2	
23	<b>R119-0112</b>	119-0112	Hex - Link	2	
24	<b>RF5003</b>	32127-29, 32131-5, 32132-5, 3296-23	Locknut - ESNA 1/2-13	2	
25	<b>R322-5</b>	01-178-0508, 20-26-AD, 20-26-AGD, 30-9000, 322-5, 513341, 519755, 908019P, N/A	Bolt - Hex HD 5/16-18 x 1	2	
26	<b>R3220-20</b>	3220-20	Nut - Jam - 5/16-24 LH	2	
27	<b>R3220-2</b>	01-191-0524, 3220-2	Nut - Jam - 5/16-24	2	
28	<b>R3296-47</b>	3296-47	Locknut - 5/16-18 Jam Nyloc	2	
29	<b>R302-5</b>	21-6010, 302-11, 302-37, 302-47, 302-5, 302-57, 302-58, 302-6, 31-0300, 32-9660, 60-0800, 62-3880, 92-4181	Fitting - Grease	5	

All original equipment manufacturers names and part numbers are used for identification purposes only, and we are in no way implying that our products are original equipment parts. Prices subject to change without notice.



# Replaces Toro Groundsmaster 4000-D Parts

*Rotary Mower - Model 30448  
Brake Pedal And Linkage*



Item No	R&R Part No.	OEM Part No.	Description	Qty Req	Order Quantity
30	<b>R1023-4</b>	01-151-0150, 1023-4, 19-6220, 214-14, 215-54, 28-9-D, 3272-4, 3272-6, 513567, 932008P	Pin - Cotter 3/32 x 3/4	2	
31	<b>R1056</b>	31-3150, 32-9020, 32120-32, 32151-83	Ring - Snap Reel	3	

All original equipment manufacturers names and part numbers are used for identification purposes only, and we are in no way implying that our products are original equipment parts. Prices subject to change without notice.