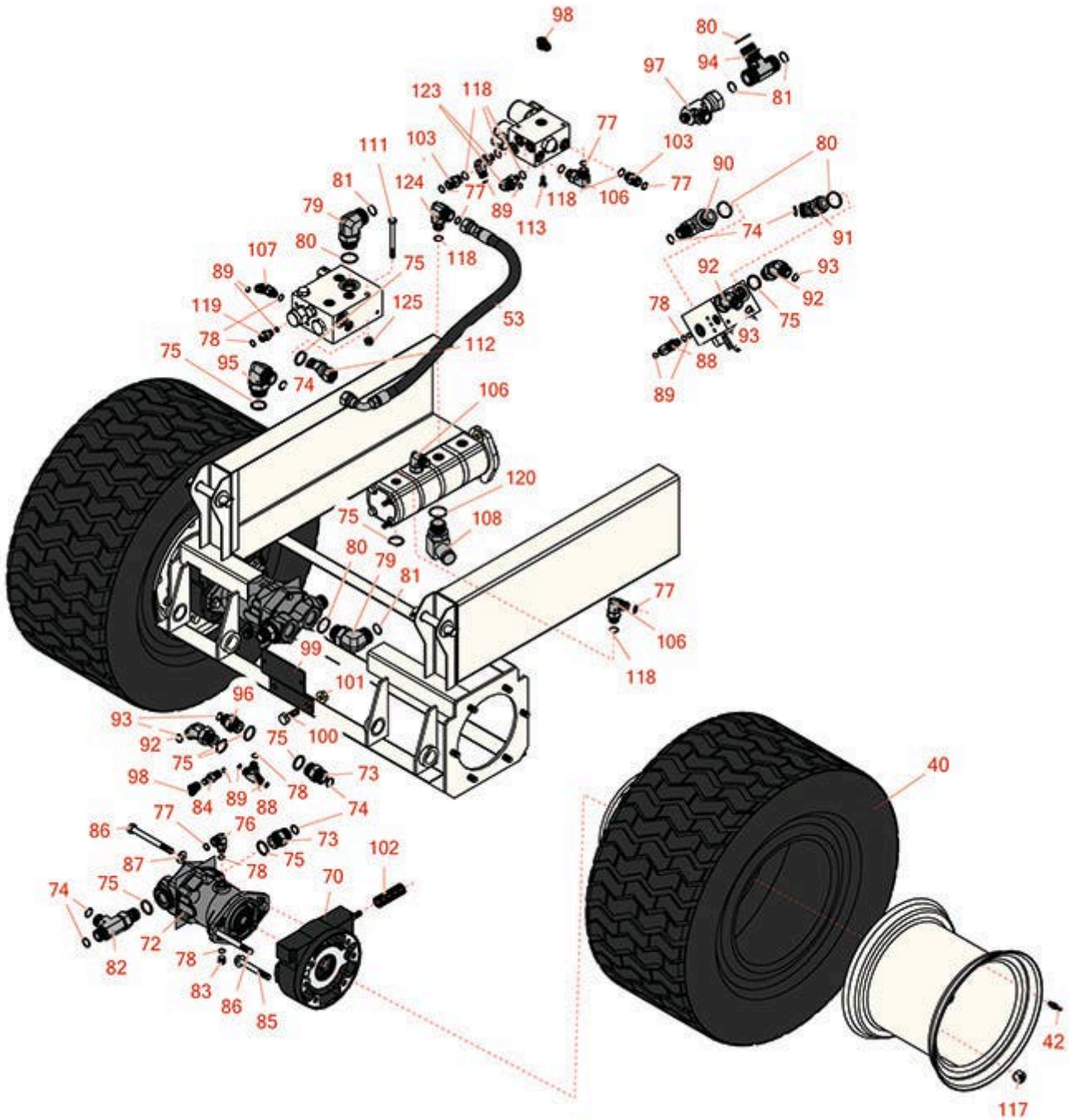




# Replaces Toro Groundsmaster 4000-D Parts

Rotary Mower - Model 30448  
Planetary, Brake And Tire Assembly



All original equipment manufacturers names and part numbers are used for identification purposes only, and we are in no way implying that our products are original equipment parts. Prices subject to change without notice.



# Replaces Toro Groundsmaster 4000-D Parts

Rotary Mower - Model 30448  
Planetary, Brake And Tire Assembly



Item No	R&R Part No.	OEM Part No.	Description	Qty Req	Order Quantity
---------	--------------	--------------	-------------	---------	----------------

## Tires & Wheels

40	<b>RCT574377</b>	119-8313, 126-8033, 99-5434	Tire - 26x12.00-12 Nhs (6 Ply) Carlisle Multi Trac C/S	2	
42	<b>R232-27</b>	232-27, 232-31	Stem - Valve w/ Cap	2	

## Hoses

53	<b>R95-0961</b>	95-0961	Hydraulic Hose Assy	1	
----	-----------------	---------	---------------------	---	--

## Other Parts Available

70	<b>R100-3070-03</b>	100-3070-03	Brake Assy - LH	1	
70	<b>R100-3069-03</b>	100-3069-03	Brake Assy - RH	1	
72	<b>R100-3052</b>	100-3052	Piston Motor Assy - Front	2	
73	<b>R340-9</b>	340-9	Fitting - Straight Connector	4	
74	<b>R237-58</b>	237-58	O-Ring	9	
75	<b>R237-81</b>	237-81, 237.81, 327-81	O-Ring	12	
76	<b>R340-99</b>	340-99	Hydraulic Fitting - 90 Deg	3	
77	<b>R237-30</b>	23-6320, 237-30	O-Ring - Seal	15	
78	<b>R237-42</b>	237-42, 31-4160	O-Ring	9	
79	<b>R340-129</b>	340-129	Hydraulic Fitting - 90 Deg	2	
80	<b>R237-146</b>	237-146, 340-146	O-Ring	6	
81	<b>R340-65</b>	340-65	O-Ring	4	

All original equipment manufacturers names and part numbers are used for identification purposes only, and we are in no way implying that our products are original equipment parts. Prices subject to change without notice.



# Replaces Toro Groundsmaster 4000-D Parts

Rotary Mower - Model 30448  
Planetary, Brake And Tire Assembly



Item No	R&R Part No.	OEM Part No.	Description	Qty Req	Order Quantity
82	<b>R340-148</b>	340-148	Fitting-Tee	1	
83	<b>R353-989</b>	353-989	Plug - Hex - Hollow	1	
84	<b>R354-77</b>	354-77	Fitting-Quick	1	
85	<b>R33106-090</b>	33106-090	Bolt - M12-1.75 x 90 Fl Hex HD Gr 8.8	4	
86	<b>R33116-120</b>	33116-120	Bolt - M12-1.75 x 120mm Hx HD	4	
87	<b>R3256-26</b>	01-166-0540, 01-166-0820, 17-2530, 24-13-BD, 30-8570, 3256-26, 356206, 48-9390	Washer - 1/2 in	8	
88	<b>R340-94</b>	340-94	Adapter	2	
89	<b>R237-22</b>	107-8844, 237-22, 237-78	O-Ring	9	
90	<b>R340-15</b>	340-15	Hydraulic Fitting - 90 Deg	1	
91	<b>R100-5530</b>	100-5530, 98-0657	Hydraulic Fitting - 45 Deg	1	
92	<b>R340-156</b>	340-156	Hydraulic Fitting	3	
93	<b>R237-65</b>	237-65, 237.65	O-Ring	4	
94	<b>R104-7501</b>	104-7501	Hydraulic Fitting	1	
95	<b>R340-142</b>	340-142, 95-1692	Hydraulic Fitting - 90 Deg	1	
96	<b>R340-8</b>	340-8	Adapter	1	
97	<b>R115-8472</b>	115-8472	Hydraulic Fitting - Tee	1	

All original equipment manufacturers names and part numbers are used for identification purposes only, and we are in no way implying that our products are original equipment parts. Prices subject to change without notice.



# Replaces Toro Groundsmaster 4000-D Parts

Rotary Mower - Model 30448  
Planetary, Brake And Tire Assembly



Item No	R&R Part No.	OEM Part No.	Description	Qty Req	Order Quantity
98	<b>R354-79</b>	354-79	Cap-Dust	2	
99	<b>R104-0746-03</b>	104-0746-03	Bracket - Manifold	1	
100	<b>R400408</b>	01-150-0090, 01-178-0812, 20-87-AD, 20-87-AGD, 20-87-AGF, 3226-2, 325-6, 513376, 513378	Bolt - Hex HD 1/2-13 x 1-1/2	8	
101	<b>R32128-23</b>	32128-23, 3218-23, 99-5107	Nut - Lock Hex Flanged 1/2-13	8	
102	<b>R94-3088</b>	94-3088	Spring - Compression	2	
103	<b>R340-4</b>	340-4	Hydraulic Fitting - Male Connector	2	
106	<b>R340-98</b>	340-98	Hydraulic Fitting	3	
107	<b>R340-77</b>	340-100, 340-77, 95-7889	Hydraulic Fitting	1	
108	<b>R92-7526</b>	92-7526	Hydraulic Fitting - 90 Deg	1	
111	<b>R323-42</b>	01-178-0630, 323-42	Bolt - Hx HD 3/8-16 x 3 3/4	1	
112	<b>R106-2009</b>	106-2009	Hydraulic Fitting - Swivel	1	
113	<b>R322-3</b>	01-150-1420, 01-178-0506, 20-24-AD, 20-24-AGD, 322-3, 48-9270, 513339, 908017P	Bolt - Hex HD 5/16-18 x 3/4	2	
117	<b>R242-50</b>	242-50	Nut - 1/2-20 Wheel	16	

All original equipment manufacturers names and part numbers are used for identification purposes only, and we are in no way implying that our products are original equipment parts. Prices subject to change without notice.



# Replaces Toro Groundsmaster 4000-D Parts



*Rotary Mower - Model 30448  
Planetary, Brake And Tire Assembly*

Item No	R&R Part No.	OEM Part No.	Description	Qty Req	Order Quantity
118	<b>R237-79</b>	237-79	O-Ring	10	
119	<b>R340-2</b>	340-2, 60-1920	Hydraulic Fitting - Striaight	1	
120	<b>R237-101</b>	237-101	O-Ring	1	
123	<b>R340-18</b>	340-18	Hydraulic Fitting	2	
124	<b>R340-16</b>	100-8255, 340-16	Hydraulic Fitting	1	
125	<b>R104-8301</b>	104-8301, 104-9301, 109-6658, 133-7570	Locknut - 3/8-16 Nylon Flanged	1	

All original equipment manufacturers names and part numbers are used for identification purposes only, and we are in no way implying that our products are original equipment parts. Prices subject to change without notice.