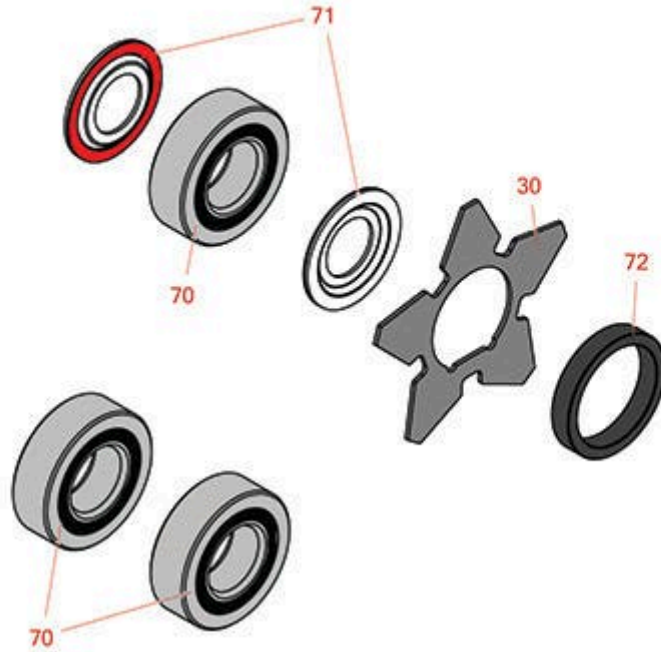




## Replaces Toro Reelmaster 3550-D Parts

18in Cutting Unit - Model 03480, 03481, 03485, 03486,  
03911 & 03912

Groomer - Model 03763 & 03764



RP^TORO^REELMASTER\_3550D^CUTTING\_UNIT\_18^GROOMER

All original equipment manufacturers names and part numbers are used for identification purposes only, and we are in no way implying that our products are original equipment parts. Prices subject to change without notice.



## Replaces Toro Reelmaster 3550-D Parts

18in Cutting Unit - Model 03480, 03481, 03485, 03486,  
03911 & 03912

Groomer - Model 03763 & 03764



Item No	R&R Part No.	OEM Part No.	Description	Qty Req	Order Quantity
<b>Blades</b>					
30	<b>R130-4105</b>	130-4105	Blade- Groomer	32	
<b>Other Parts Available</b>					
70	<b>R115-6869</b>	115-6869	Bearing - Ball -Stainless	3	
71	<b>R115-6923</b>	115-6923	Shield - Bearing - Flocked	2	
72	<b>R70-1350</b>	70-1350	Spacer - 1/4 Fits Groomer Shaft	2	

All original equipment manufacturers names and part numbers are used for identification purposes only, and we are in no way implying that our products are original equipment parts. Prices subject to change without notice.